

# HDBaseT Extenders and HDMI Patch Cords

## specifications

The HDBaseT extenders shall extend an HDMI, RS232 signal, and power over 70m/230ft of Category 6 or 6A cable. A two-gang wall plate transmitter and a slim-line box transmitter shall be available and compatible with both a standard receiver and a receiver with audio extraction (audio de embedding). HDMI patch cords meet the 2.0 specification and are recommended for use in the HDBaseT channel in conjunction with Panduit copper cable and connectivity.



## technical information

<b>Mounting:</b>	Mounting brackets and screws included with box units
<b>Power:</b>	24V1A DC Power Supply Included with all Receivers and Slim Line Box transmitter
<b>IR Emitter:</b>	Included with all Receivers and Slim Line Box transmitter
<b>Video Bandwidth:</b>	297MHz (10.2Gbps)
<b>Color Space:</b>	RGB, YCbCr 4:4:4, YCbCr 4:2:2
<b>Transmission Distance over Cat 6 or Cat 6A Cable:</b>	40 Meters: 1080P @60Hz@48bit 1080P @120Hz@24bit 3D1080P @ 60Hz@36bit 4K x 2K @30Hz@24bi 70 meters: 1080P@60Hz 36bit 3D1080P@30Hz 36bit
<b>Housing:</b>	Metal Enclosure
<b>Color:</b>	Black (boxes) White (wall plate)
<b>Box Dimensions:</b>	65mm x 115mm x 17mm (boxes)
<b>Wall plate dimensions:</b>	116mm x 114mm x 39mm (wallplate)
<b>Weight:</b>	200g (boxes), 220 g (wall plate)
<b>Power Supply:</b>	Input: AC100- 240V 50/60Hz Output: DC 24V/1A (US/EDU standards, CE/FCC/UL certified)
<b>Power Consumption:</b>	6W
<b>Operating Temperature:</b>	32-104 F, 0-40C
<b>Storage Temperature:</b>	-4 -140F/ -20-60 C
<b>Relative Humidity:</b>	20-90% RHPackage tested to ISTA Procedure 1A

## key features and benefits

<b>Video Specifications</b>	HDMI 1.4b, HDCP 2.2 and 1.4, EDID 1.4
<b>Video Resolutions</b>	Up to 4K2K@30Hz
<b>Audio</b>	Up to 7.1 channels of High Definition audio pass through (LPCM, Dolby TrueHD, and DTS-HD Master Audio)
<b>HDR</b>	10bits High Dynamic Range pass through
<b>HDMI HBR</b>	Supports HDMI High Bit Rate audio pass through
<b>Power</b>	Power over cable is supported (either Tx or Rx is powered by 24V@1A power supply)
<b>Autoswitching</b>	Wall plate transmitter supports auto-switching between sources, comes pre-programmed
<b>HDMI Certification</b>	HDMI patch cords are certified HDMI 2.0 compliant

## applications

HDBaseT extenders can be used with a copper channel where HDMI signal extension is required. HDBaseT extenders are compatible with all RJ45 plugs and HDMI certified cables. HDBaseT extenders may be used with Category 6 or 6A cabling. HDBaseT extenders are commonly deployed in classrooms, conference rooms and digital signage applications. Both the wallplate and box transmitters are compatible with the receivers with and without audio de-embedding. Audio de-embedding is commonly used in applications with speaker systems external to the monitor or projector. HDBaseT transmitters are compatible with HDBaseT projectors with the same specifications listed above.

[www.panduit.com](http://www.panduit.com)

### HDBaseT Extenders

<b>Slim Line Box Transmitter:</b>	CMHDBTBTX
<b>Wall Plate Transmitter:</b>	CMHDBTWPTX
<b>Slim Line Box Receiver:</b>	CMHDBTBRX
<b>Slim Line Box Receiver with Audio De-embedding:</b>	CMHDBTWRX

### HDMI Patch Cords

<b>1 Meter HDMI Patch Cord:</b>	HDMI1MBL^
<b>2 Meter HDMI Patch Cord:</b>	HDMI2MBL^
<b>4 Meter HDMI Patch Cord:</b>	HDMI4MBL^

### AV In-Wall Boxes

<b>A/V In-Wall Box, Small:</b>	CMBBSWH
<b>A/V In-Wall Box, Large:</b>	CMBBLWH
<b>A/V In-Wall Box, Cable Ring:</b>	CMBBCMR
<b>A/V In-Wall Box, Equipment Bracket:</b>	CMBBRKT

### Mini-Com® UTP Jack Modules

<b>Category 6 Category 6 UTP Jack Module:</b>	CJ688TGBU
<b>Category 6A Category 6A UTP Jack Module:</b>	CJ6X88TGBU DP48688TGY

### TX6A™ Category 6A UTP Field Term RJ45 Plug

<b>Category 6/6A UTP Field Term Plug:</b>	FP6X88MTG
-------------------------------------------	-----------

### TX6™ PLUS UTP Patch Cords

<b>Category 6 UTP:</b>	UTPSP3Y*
------------------------	----------

### TX6A-28™ Category 6A 28 AWG UTP Patch Cords

<b>Category 6A 28 AWG:</b>	UTP28X3*
----------------------------	----------

### TX6A™ 10Gig™ UTP Copper Cable with Advanced MaTriX Technology

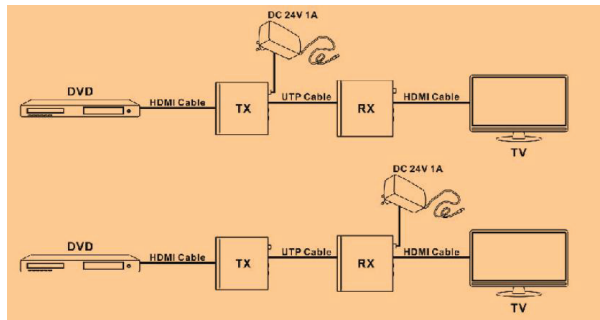
<b>Category 6A (riser):</b>	PUR6AM04BU-CG
-----------------------------	---------------

^Part numbers listed in BL (Black). For part numbers in White, replace "BL" with "WH".

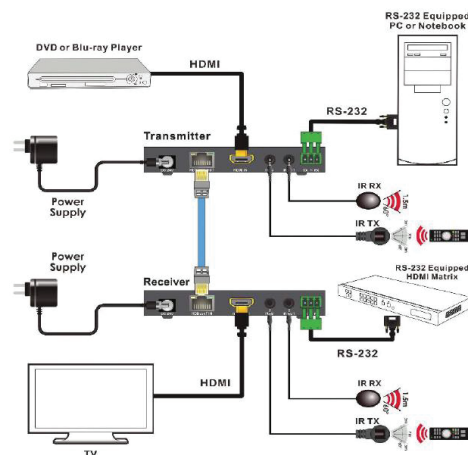
\*Add length and color as suffix to part number.

# HDBaseT Slim-Line Extenders and HDMI Patch Cords

## Channel Drawing

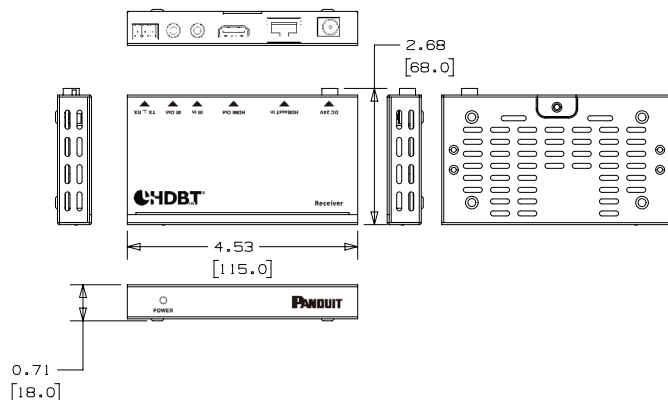


## IR Channel Drawing

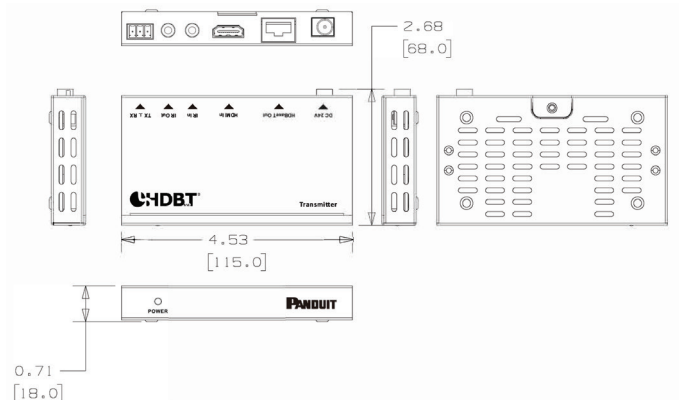


## dimensions

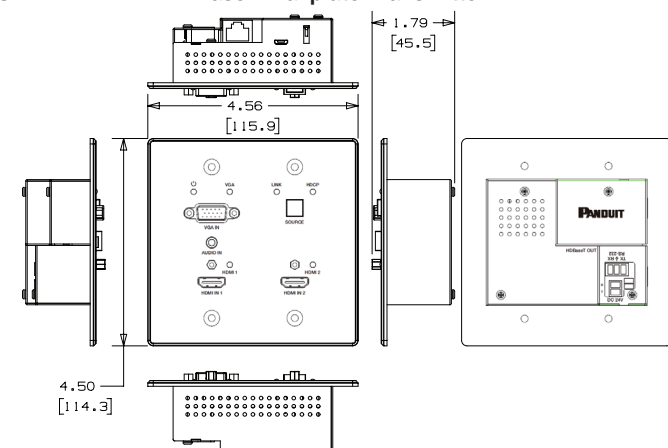
### CMHDBTBRX- HDBaseT Receiver Box



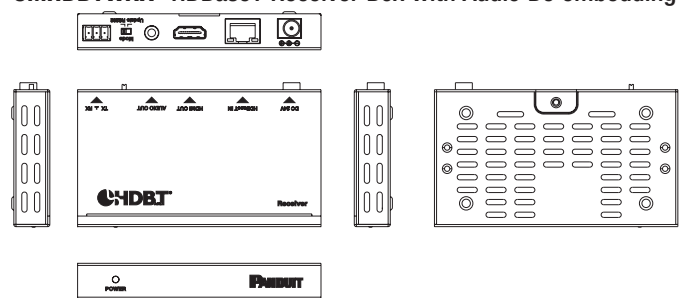
### CMHDBTBTX- HDBaseT Transmitter Box



### CMHDBTWPTX- HDBaseT Wallplate Transmitter



### CMHDBTWRX- HDBaseT Receiver Box with Audio De embedding



## WORLDWIDE SUBSIDIARIES AND SALES OFFICES

PANDUIT US/CANADA  
Phone: 800.777.3300

PANDUIT EUROPE LTD.  
London, UK  
cs-emea@panduit.com  
Phone: 44.20.8601.7200

PANDUIT SINGAPORE PTE. LTD.  
Republic of Singapore  
cs-ap@panduit.com  
Phone: 65.6305.7575

PANDUIT JAPAN  
Tokyo, Japan  
cs-japan@panduit.com  
Phone: 81.3.6863.6000

PANDUIT LATIN AMERICA  
Guadalajara, Mexico  
cs-la@panduit.com  
Phone: 52.33.3777.6000

PANDUIT AUSTRALIA PTY. LTD.  
Victoria, Australia  
cs-aus@panduit.com  
Phone: 61.3.9794.9020

For a copy of Panduit product warranties, log on to [www.panduit.com/warranty](http://www.panduit.com/warranty)

For more information

Visit us at [www.panduit.com](http://www.panduit.com)

Contact Customer Service by email: [cs@panduit.com](mailto:cs@panduit.com)  
or by phone: 800.777.3300

**PANDUIT**

© 2018 Panduit Corp.  
ALL RIGHTS RESERVED.  
OTSP55--SA-ENG  
2/2018