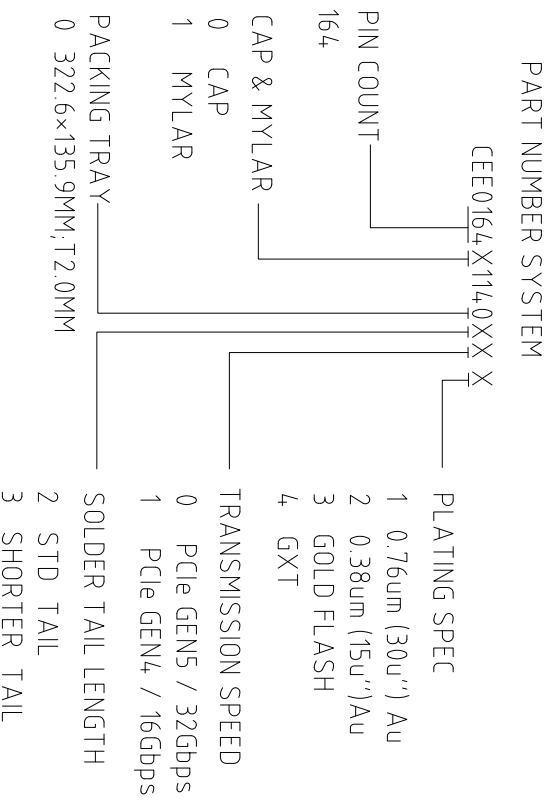
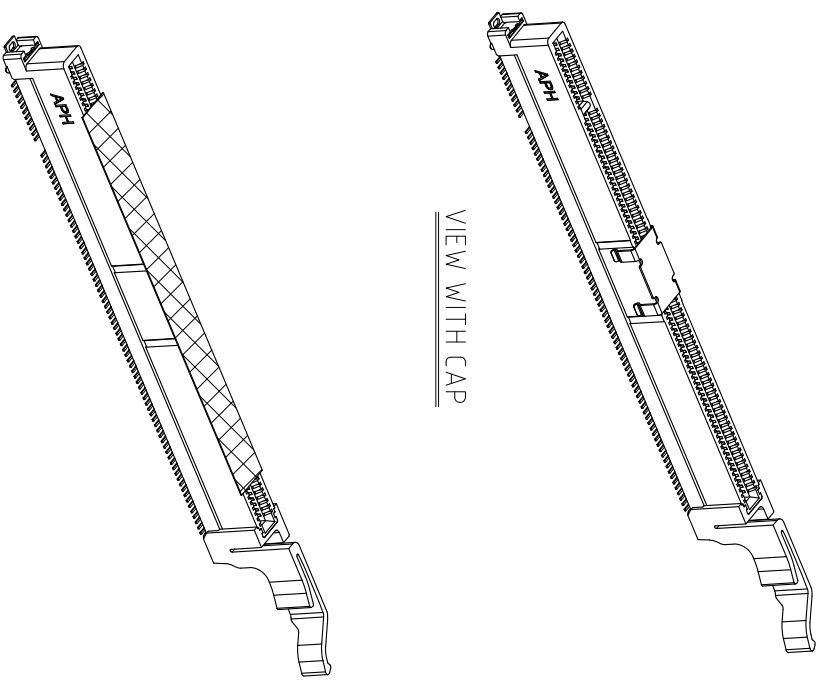


This document is the property of Amphenol Corporation and is delivered under the express condition that it is not to be distributed, reproduced or used, in whole or in part, without the prior consent of Amphenol Corporation. Amphenol Corporation will not be held responsible for any loss or damage to this document or to any information contained herein.

# CUSTOMER DRAWING

REVISIONS		DATE	APPROVED
1	ADD PCB KEEP-OUT ZONE	Jun.09.2020	YH
2	OPTIMIZED LATCH DESIGN	Sep.28.2020	YH
3	DETAILED THE PN SYSTEM	Dec.22.2020	YH

- NOTE:
- MATERIAL:  
HOUSING: HIGH TEMPERATURE THERMOPLASTIC; BLACK UL94-V0; HALOGEN FREE  
CONTACT: COPPER ALLOY  
BOARDLOCK: SPCC
  - PLATING:  
CONTACT: MATING AREA: SEE PLATING SPEC OVER 1.27-2.54 UM NICKEL UNDERPLATED  
SOLDER AREA: 2.54 UM MIN TIN OVER 1.27-2.54 UM NICKEL UNDERPLATED  
BOARDLOCK: 2.54UM MIN TIN OVER 1.27-2.54UM NICKEL UNDERPLATED
  - ELECTRICAL PERFORMANCE:  
RATED CURRENT FOR SIGNAL PIN: 0.7A/PIN;  
RATED CURRENT FOR POWER PIN: 1.1A/PIN( A2/A3/A9/A10/B1/B2/B3/B8, TOTAL 8PIN ).
  - MATERIAL IS COMPLIANT TO ROHS
  - TRANSMISSION SPEED:  
PCIe GEN 4 /16Gbps : OPEN PIN FIELD DESIGN  
PCIe GEN 5 /32Gbps : CONFORM TO PCIe CEM SPECIFICATION
  - MOISTURE SENSITIVITY LEVEL: 1.
  - ORDERING PART NUMBER: REFER TO THE PART NUMBER SYSTEM



UNLESS OTHERWISE SPECIFIED		APPROVAL		DATE	
TOLERANCES		DRAWN		Jun.Fan	
U.S.		CHECKED		Dec.22.2020	
METRIC		APPROVED			
X	+/-	DRAWING FILE :			
+	+	MTRNLA.DRAWING.CE.C.000164X1140XXX			
-	-	ANGLE OF PROJECTION			
XXX	+/ -	REMOVE SHARP EDGES			
FRACTIONS	+/ -	DIMENSIONS			
ANGLES	+/ -	—U.S.— INCHES			
	5°	(METRIC) (mm)			
TITLE					
Cool Edge Connector					
SIZE DRAWING NO.					
1.0mm pitch; PCIe X16; 32&16G					
SCALE					
A3 C CEE0164X1140XXX					
SHEET 1 OF 5					

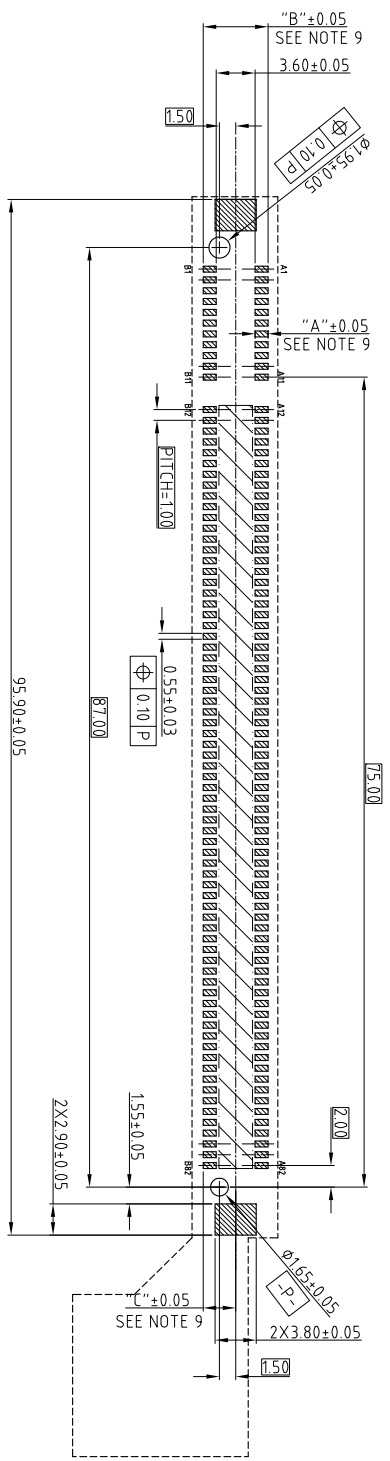




This document is the property of Amphenol Corporation and is delivered on the express condition that it is not to be disclosed, reproduced or used, in whole or in part, without the prior consent of Amphenol Corporation. Amphenol Corporation without its prior consent, & that no right is granted to disclose or to use any information in this document.

# CUSTOMER DRAWING

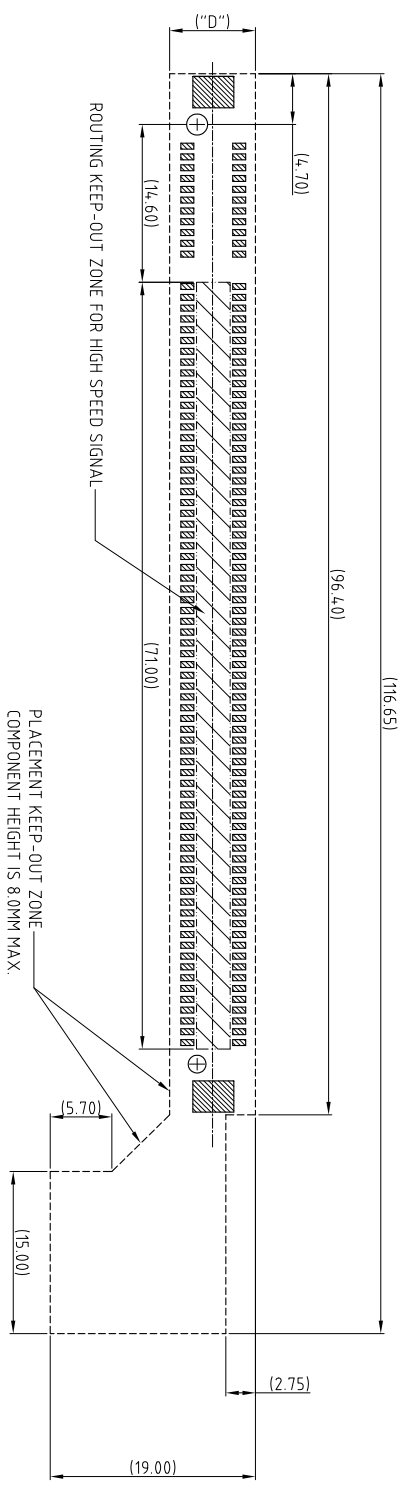
REVISIONS		DATE	APPROVED
SWM	ECN	DESCRIPTION	



NOTE 9:  
RECOMMENDED PCB DIMENSION FOR DIFFERENT SOLDER TAIL

	A	B	C	D
SHORTER TAIL	1.20	6.00	3.00	6.55
STD TAIL	1.90	7.40	3.70	7.95

RECOMMENDED PCB LAYOUT  
GENERAL TOLERANCE ±0.05



RECOMMENDED PCB KEEP-OUT ZONE

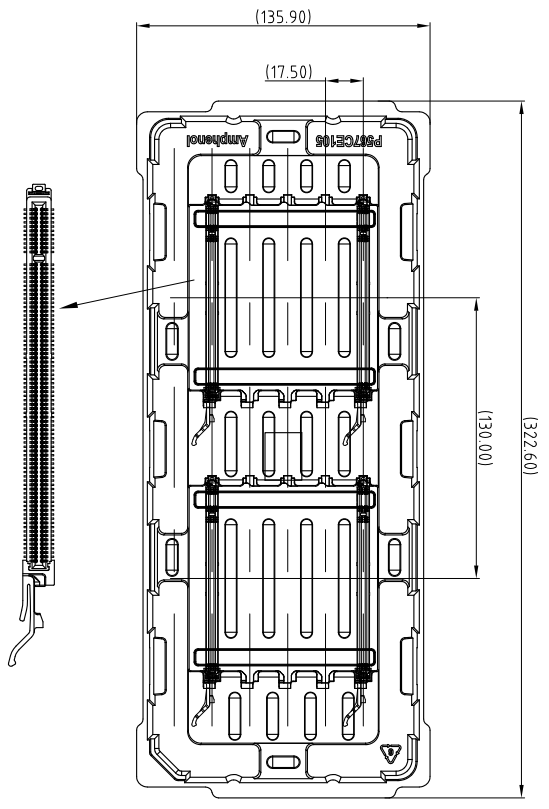


UNLESS OTHERWISE SPECIFIED		APPROVAL		DATE	
TOLERANCES		DRAWN		Dec 22, 2020	
U.S.		CHECKED			
METRIC		APPROVED			
X	+/-	DRAWING FILE :			
+	+/-	INTERNAL DRAWING FILE: C:\EE0164X11.40XXX			
-	+/-	ANGLE OF PROJECTION			
XXX	+/-	REMOVE SHARP EDGES			
FRACTIONS	+/-	DIMENSIONS			
ANGLES	+/-	U.S. INCHES			
	5°	METRIC (mm)			
SEE NOTES					
FOR MATERIALS AND FINISHES					
REMOVE SHARP EDGES					
DRAWING FILE :					
INTERNAL DRAWING FILE: C:\EE0164X11.40XXX					
ANGLE OF PROJECTION					
DIMENSIONS					
U.S. INCHES					
METRIC (mm)					
TITLE					
Cool Edge Connector					
SIZE					
A3					
DRAWING NO.					
C EE0164X11.40XXX					
SCALE					
NONE					
SHEET 4 OF 5					
REV.					
6					

This document is the property of Amphenol Corporation and is delivered on the express condition that it is not to be disclosed, reproduced or used, in whole or in part, for any purpose other than that intended by Amphenol Corporation without its prior consent, & that no right is granted by disclosure or to use any information in this document.

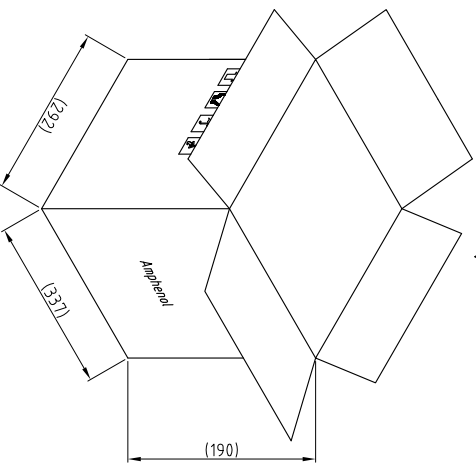
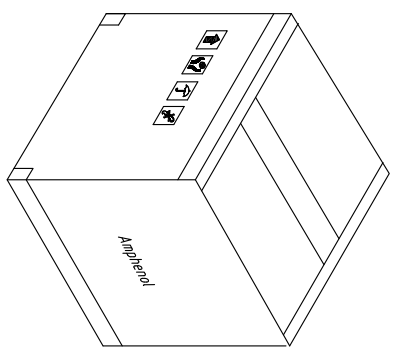
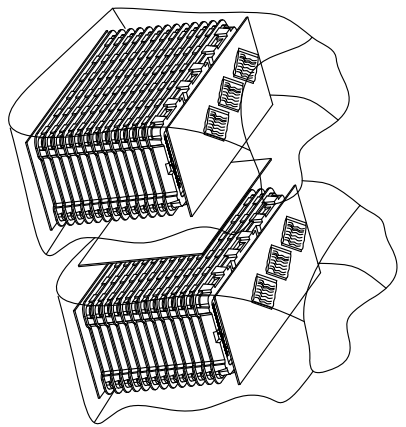
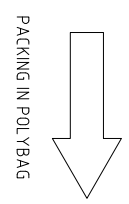
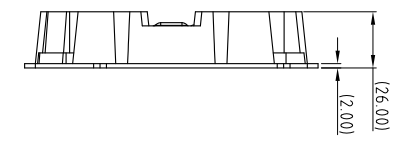
# CUSTOMER DRAWING

REVISIONS		DATE	APPROVED
SWM	ECN	DESCRIPTION	



- NOTE:
1. TRAY MATERIAL: ANTI-STATIC PS, BLACK, T=2.00±0.05MM
  2. PACKING TRAY SIZE (L×W) :322.6×135.9MM
  3. PACKING QTY: 10PCS / TRAY  
160PCS / CARTON

PACKING TRAY  
0 322.6×135.9MM; T:2.0MM



UNLESS OTHERWISE SPECIFIED		APPROVAL		DATE	
TOLERANCES		DRAWN		Dec.22,2020	
U.S.		CHECKED			
METRIC		APPROVED			
X	+/-	DRAWING FILE :			
+	+/-	MATERIAL/DRAWING/REV. C CEE0164X1140XXX			
-	-	ANGLE OF PROJECTION			
XXX	+/-	REMOVE SHARP EDGES			
FRACTIONS	+/-	DIMENSIONS			
ANGLES	+/-	DRAWING FILE :			
	5°	TITLE			
FOR MATERIALS AND FINISHES		Cool Edge Connector			
SEE NOTES		1.0mm pitch; PCIe X16; 32&16G			
REMOVE SHARP EDGES		SIZE			
DIMENSIONS		DRAWING NO.			
U.S.	INCHES	A3			
(METRIC)	(mm)	SCALE			
		NONE			
		SHEET 5 OF 5			
		REV. 6			