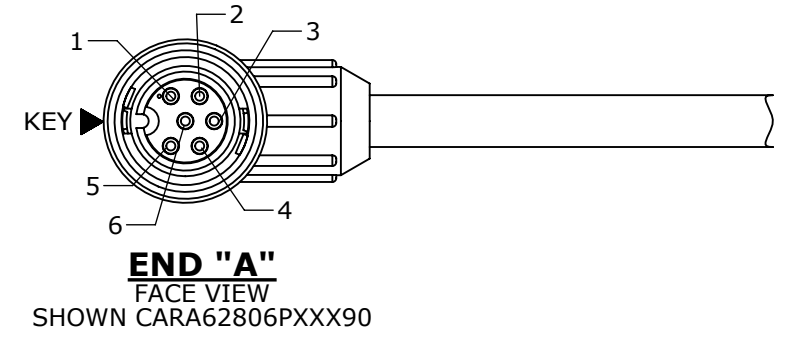
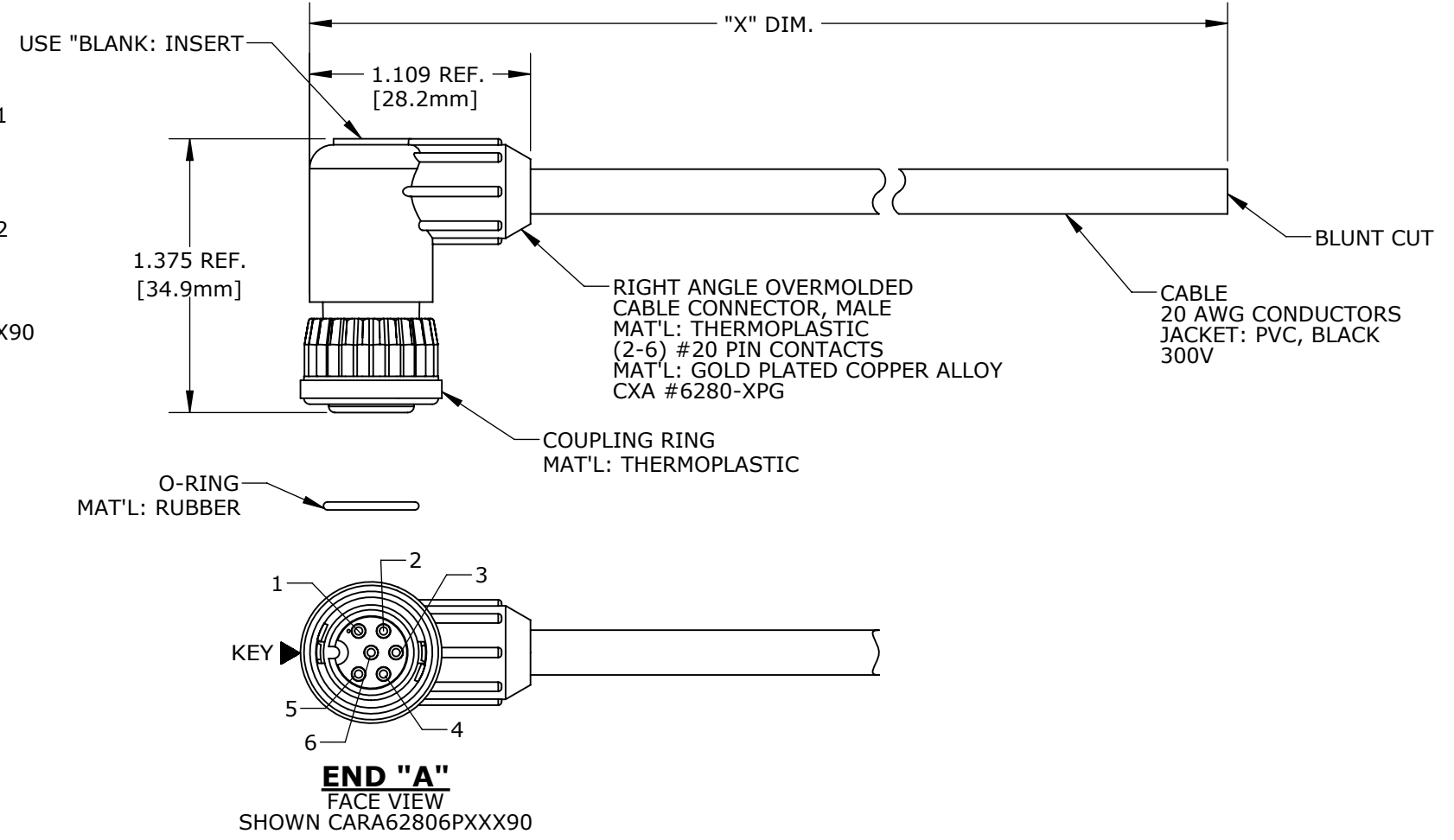
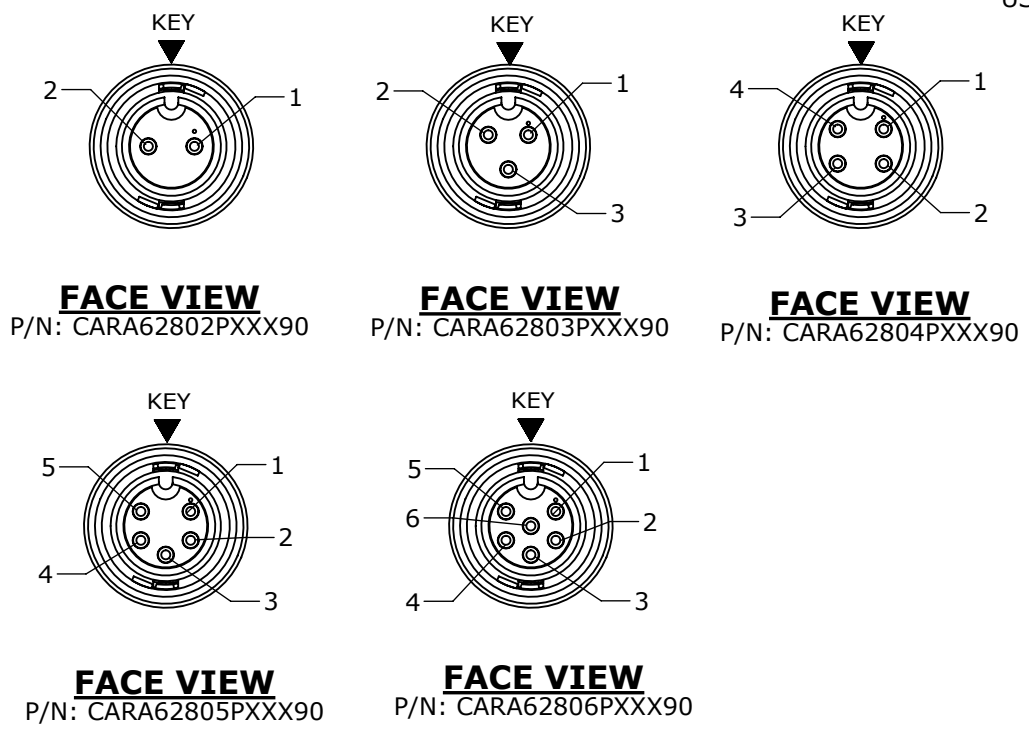


NOTES:

1. FINISHED CABLE ASSEMBLY TO BE COILED
2. OVERMOLD BOOT MATERIAL: PVC, BLACK
3. ELECTRICAL TEST: 100% CONTINUITY

ASS'Y P/N	NO. OF POS.	"X" DIM.
CARA62802P07990	2	6 FT. 7 IN. ±2 IN. [2M]
CARA62803P07990	3	
CARA62804P07990	4	
CARA62805P07990	5	
CARA62806P07990	6	
CARA6280XPXXX90		

CABLE LENGTH IN "INCHES"
NO OF POSITIONS



CUSTOMER PRINT

PART NUMBER: CARA6280XPXXX90

ASSY P/N	CABLE	COLOR CODE END "A"
CARA62802PXXX90	2/20 AWG O.D. 0.215 REF	COLOR CODE
		POS. 1 POS. 2
CARA62803PXXX90	3/20 AWG O.D. 0.220 REF	WIRE COLOR CODE
		POS. 1 POS. 2 POS. 3
CARA62804PXXX90	4/20 AWG O.D. 0.235 REF	WIRE COLOR CODE
		POS. 1 POS. 2 POS. 3 POS. 4
CARA62805PXXX90	5/20 AWG O.D. 0.255 REF	WIRE COLOR CODE
		POS. 1 POS. 2 POS. 3 POS. 4 POS. 5
CARA62806PXXX90	6/20 AWG O.D. 0.275 REF	WIRE COLOR CODE
		POS. 1 POS. 2 POS. 3 POS. 4 POS. 5 POS. 6

CUSTOMER APPROVAL

THIS DOCUMENT CONTAINS CONFIDENTIAL INFORMATION PROPRIETARY TO CONXALL CORPORATION. ANY REPRODUCTION, DISCLOSURE, OR USE OF THIS DOCUMENT /INFORMATION IS EXPRESSLY PROHIBITED UNLESS AUTHORIZED IN WRITING BY CONXALL CORPORATION.

APPROVED BY: _____

DATE: _____

A	AN	06-30-16	DRAWING CREATED PER DOR 16-7414JP
REV.	INIT.	DATE	DESCRIPTION
	AN	05-26-16	ORIG. DRAWN BY: AN DATE: 05-26-16
ALL INFORMATION ILLUSTRATED IS THE PROPERTY OF "CONXALL CORPORATION." UNAUTHORIZED DUPLICATION OR DISTRIBUTION OF THIS DOCUMENT IS PROHIBITED.			<p>601 E. WILDWOOD VILLA PARK, IL 60181</p>
ALL UNITS ARE IN FEET, INCHES, FRACTION OF INCHES AND DECIMALS.			
APPROVED BY:		TITLE: CABLE ASSEMBLY (2-6) #20 PIN CONTACTS MINI-CON-X, R. ANGLE STANDARD PRODUCT	
SCALE: NTS	SIZE: B	SHEET: 1 OF 1	CUSTOMER: STANDARD PRODUCT
FILE: CARA6280XPXXX90	DIRECTORY: SLW	PART NUMBER: CARA6280XPXXX90	REV: A

DIMENSIONS IN BRACKET [] ARE METRIC. **RoHS COMPLIANT**