

CHARACTERISTICS	
NUMBER OF CONTACTS	6 + PE
TERMINATION	SCREW
WIRE GAUGE	0.25-2.5mm ²
FLAMMABILITY	V-0
CABLE ENTRY	SIDE
IP DEGREE OF PROTECTION	IP65
VERSION	HIGH PROFILE
PROTECTIVE COVER	PA
THREAD	HOOD AND GLAND BUSHING M32
CABLE RANGE	16-24mm

ELECTRICAL CHARACTERISTICS (INSERT)

RATED VOLTAGE	DIN EN 60664-1	500V (600V UL/CSA)
RATED IMPULSE VOLTAGE	DIN EN 60664-1	6000V
RATED CURRENT AT 40°C		22A
VOLTAGE PROOF	DIN EN 60512-2, TEST 4a	2.800V
INSTALLATION CATEGORY	DIN EN 60664-1	III
INSULATION GROUP	DIN EN 60664-1	IIIb
INSULATION RESISTANCE	DIN EN 60512-2, TEST 3a	>10 ¹² OHMS
CONTACT RESISTANCE	DIN EN 60512-2, TEST 2a	<5m OHMS
CLEARANCE	DIN VDE 0627	>4.0mm
CREEPAGE	DIN VDE 0627	>6.3mm
CURRENT CARRYING CAP.	DIN EN 60512-3, TEST 5b	DERATED
POLLUTION DEGREE	DIN EN 60664-1	3

MECHANICAL CHARACTERISTICS

INSERTION FORCE	DIN EN 60512-13-2, TEST 13b	20-30N
WITHDRAWAL FORCE	DIN EN 60512-13-2, TEST 13b	20-30N
MECHANICAL LIFETIME	IEC 60512-5, TEST 9a	>500 MATING CYCLES

CLIMATICAL CHARACTERISTICS

TEMPERATURE RANGE		-40°C TO 100°C
UPPER TEMPERATURE		100°C/1000H
LOWER TEMPERATURE		-40°C/16H

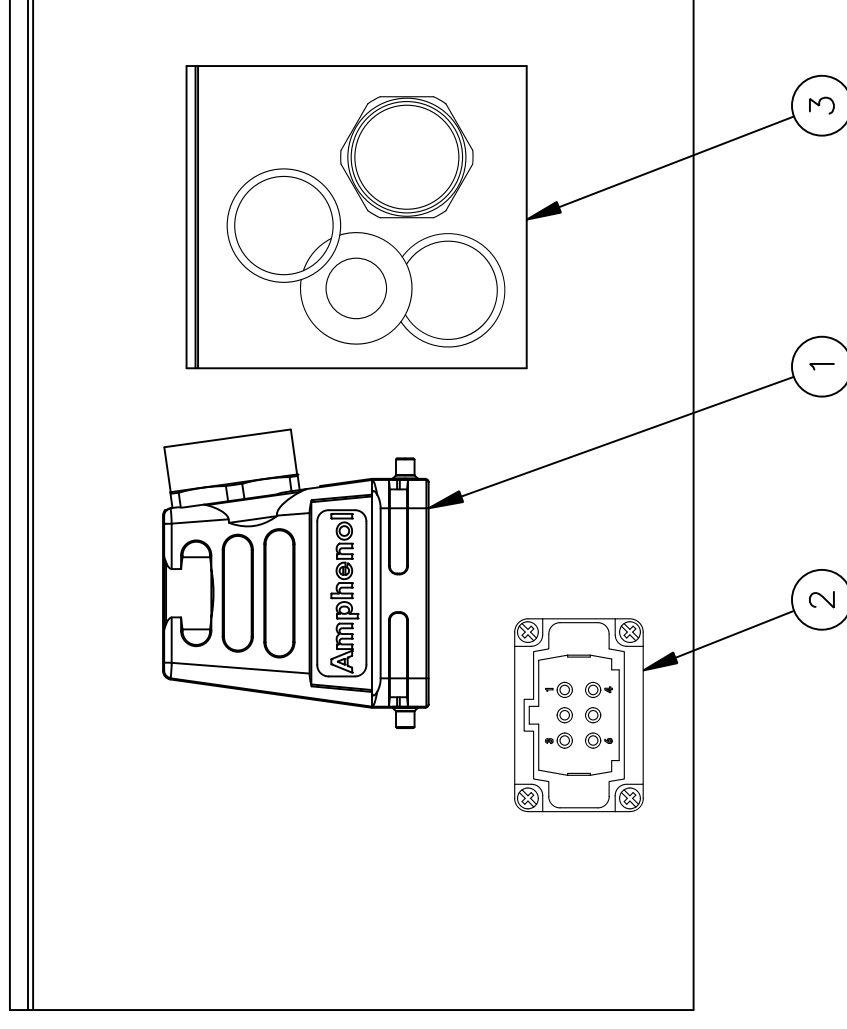
MATERIALS

INSERT		PC GV
COLOR		GRAY
CONTACT PLATING		SILVER
KNURLED SCREW AND NUT		CuZn
GASKET		NBR

C146 10E 006 9458M

REVISIONS					
REV	ECD	DESCRIPTION	DATE	BY	APPR
01	-	CUSTOMER DRAWING	-	-	-

ILLUSTRATION: COMPLETE KIT



QUANTITY	PART NUMBER	DESCRIPTION	ITEM
1	VN163200114X	GLAND BUSHING, M32	3
1	C14610A0061021	INSERT, MALE, 6POS	2
1	C14610R0065068	HOOD, SINGLE, SIDE, HIGH, M32	1

MATERIALS LIST

UNLESS OTHERWISE SPECIFIED		SIGNATURES		DATE	
1) All dimensions are in metric(mm).		DRAWN: MRF		110CT13	
2) Tolerances are as follows:		CHECKED:			
1 PL DEC ±0.30		FRACTIONS ±1/64			
2 PL DEC ±0.15		ANGLES ±1°			
3) Note reference = X		ENGINEER:			
		APPROVAL:			
		CUSTOMER:			
MATERIAL SPECIFICATIONS:		THIS DRAWING IS SUPPLIED FOR INFORMATION ONLY. DESIGN FEATURES, SPECIFICATIONS AND PERFORMANCE DATA SHOWN HEREON ARE THE PROPERTY OF THE AMPHENOL CORPORATION. NO RIGHTS OF REPRODUCTION ARE IMPLIED. ALL DIMENSIONS ARE SUBJECT TO NORMAL MANUFACTURING VARIATIONS.			
PROCESS SPECIFICATIONS:					
NEXT ASSY:					
		SINE SYSTEMS - www.amphenol-sine.com		44724 Morley Drive	
		Clinton Township, MI 48036			
		KIT, HEAVYMATE			
		TYPE: B C-		DWG NO: C14610E0069458M	
		SCALE: NONE		REVISION: 01	
		SHEET 1		OF 1	

TITLE: KIT, HEAVYMATE	DWG NO: C14610E0069458M	REV: 01	SH: 1	DF: 1
-----------------------	-------------------------	---------	-------	-------