

HALOGEN FREE

REV.	ECN	DESCRIPTION	DATE	DRAWN	CHECKED	APPROVED
X5	SZECP14228-04	△X3, AX1, WX1, DX1	04/21/15	XD	ROGER	ROGER
X6	SZECP14228-05	△X1, WX1	09/10/15	Rui. Su	Alan.Tsai	

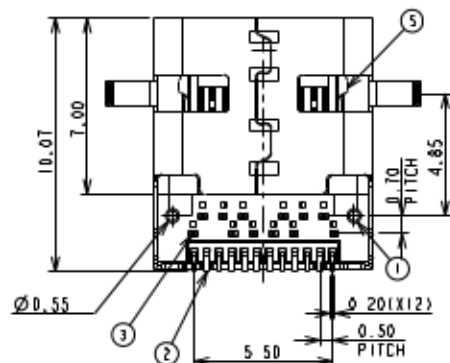
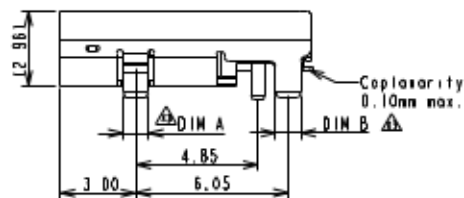
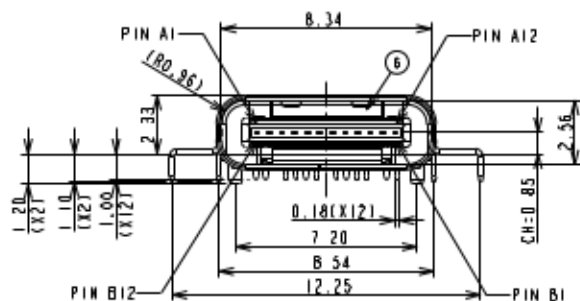
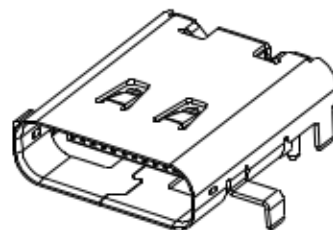
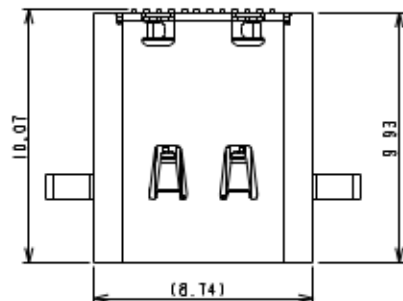


TABLE A: PRODUCT NUMBERING CODE

C-AR20-A K 5 1 X  
 ① ② ③ ④ ⑤ ⑥

1 CONNECTOR TYPE:  
 AR20: USB TYPE-C RECP R/A CONN

2. NO. OF POSITION:  
 A: 24 POSITIONS.

3 COLOR OF INSULATOR:  
 K: BLACK.

4. PLATING OF CONTACT:  
 1: GOLD FLASH ON CONTACT AREA.  
 5 Au 30u" PLATING ON CONTACT AREA

5. PLATING OF FRONT SHELL  
 1: SOLDERING NICKEL

6. SHELL TYPE & PACKAGE:  
 0: SEE TABLE C & TAPE REEL  
 1: SEE TABLE C & TAPE REEL

TABLE C: SHELL TYPE

PRODUCT NUMBERING	DIM A	DIM B	DIM C	DIM D
C-AR20-AK510	1.00	1.00	1.40±0.05	1.80 <sup>+0.10</sup> <sub>-0</sub>
C-AR20-AK511	1.30	1.30	1.70±0.05	2.10 <sup>+0.10</sup> <sub>-0</sub>

ITEM	NAME	Q'TY	PART #	MATERIAL / FINISH
6	ENI RING	2	H-AR20-EOXXX	METAL / Ni PLATED
5	GROUND PLATE	1	H-AR20-BOXXX	METAL / Ni PLATED
4	SHELL	1	S-AR20-IOXXX	METAL / Ni PLATED
3	DOWN-CONTACT	12	T-AR20-DOXXX	COPPER ALLOY / Au PLATED
2	UP-CONTACT	12	T-AR20-UOXXX	COPPER ALLOY / Au PLATED
1	HALF PRODUCT	2	AR20-ANXXXX	HI-TEMP. G.F. UL94V-0

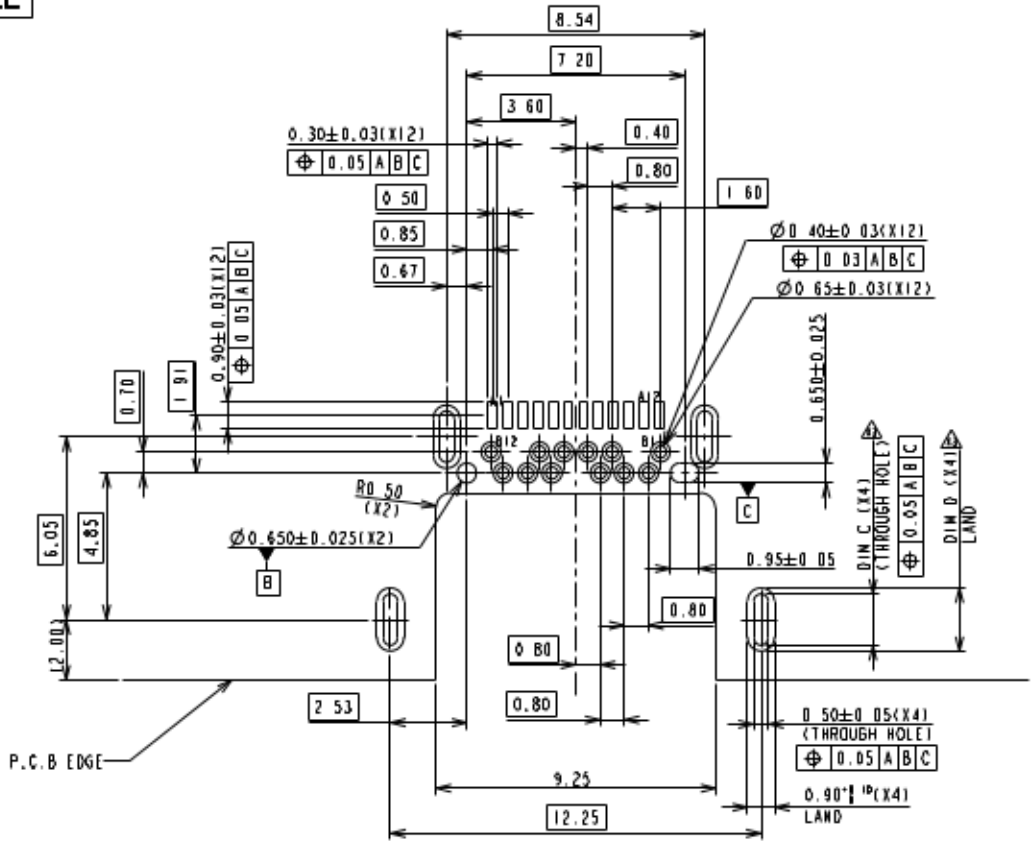
TABLE B: PIN ASSIGNMENT

PIN NO.	A1	A2	A3	A4	A5	A6	A7	A8	A9	A10	A11	A12
SIGNAL NAME	GND	SSTXp1	SSTXn1	VBUS	CC1	Dp1	Dn1	SBU1	VBUS	SSRXn2	SSRXp2	GND
PIN NO.	B12	B11	B10	B9	B8	B7	B6	B5	B4	B3	B2	B1
SIGNAL NAME	GND	SSRXp1	SSRXn1	VBUS	SBU2	D+1	D-1	CC2	VBUS	SSTXn2	SSTXp2	GND

ITEM	NAME	Q'TY	PART #	MATERIAL / FINISH																																																	
<table border="1"> <tr> <td>TECHNICAL DRAWING</td> <td>DATE</td> <td rowspan="4">CnC Tech, LLC</td> </tr> <tr> <td>GENERAL #</td> <td>DT/23/14</td> </tr> <tr> <td>DESIGN</td> <td>DATE</td> </tr> <tr> <td>AVEN</td> <td>DT/23/14</td> </tr> <tr> <td>SCALE</td> <td>5:1</td> <td>ROGER</td> <td>DT/23/14</td> <td>TITLE</td> </tr> <tr> <td>SHEET</td> <td>1 of 2</td> <td>ROGER</td> <td>DT/23/14</td> <td>USB 2.0 TYPE-C CONN. RECEPTACLE - MID MOUNT TYPE</td> </tr> <tr> <td>UNIT</td> <td>MM</td> <td colspan="2">C-AR20-AK510</td> <td>SERIES</td> </tr> <tr> <td></td> <td></td> <td></td> <td></td> <td>AR20 SERIES</td> </tr> <tr> <td></td> <td></td> <td></td> <td></td> <td>SIZE</td> </tr> <tr> <td></td> <td></td> <td></td> <td></td> <td>A3</td> </tr> <tr> <td></td> <td></td> <td></td> <td></td> <td>REV.</td> </tr> <tr> <td></td> <td></td> <td></td> <td></td> <td>X6</td> </tr> </table>				TECHNICAL DRAWING	DATE	CnC Tech, LLC	GENERAL #	DT/23/14	DESIGN	DATE	AVEN	DT/23/14	SCALE	5:1	ROGER	DT/23/14	TITLE	SHEET	1 of 2	ROGER	DT/23/14	USB 2.0 TYPE-C CONN. RECEPTACLE - MID MOUNT TYPE	UNIT	MM	C-AR20-AK510		SERIES					AR20 SERIES					SIZE					A3					REV.					X6	
TECHNICAL DRAWING	DATE	CnC Tech, LLC																																																			
GENERAL #	DT/23/14																																																				
DESIGN	DATE																																																				
AVEN	DT/23/14																																																				
SCALE	5:1	ROGER	DT/23/14	TITLE																																																	
SHEET	1 of 2	ROGER	DT/23/14	USB 2.0 TYPE-C CONN. RECEPTACLE - MID MOUNT TYPE																																																	
UNIT	MM	C-AR20-AK510		SERIES																																																	
				AR20 SERIES																																																	
				SIZE																																																	
				A3																																																	
				REV.																																																	
				X6																																																	

1 2 3 4 5 6 7 8

HALOGEN FREE



RECOMMENDED PCB LAYOUT  
THICKNESS IS 0.9mm  
TOLERANCE ± 0.05  
(TOP VIEW)

- NOTES
- 1.0. ELECTRICAL CHARACTERISTICS.
  - 1.1. LOW LEVEL CONTACT RESISTANCE:  
INITIAL: 40mΩ FOR ALL CONTACT MAX.  
AFTER : 10mΩ MAX. CHANGE
  - 1.2. DIELECTRIC WITHSTANDING VOLTAGE:  
100 VAC FOR 1 MINUTE SEA LEVEL.
  - 1.3. INSULATION RESISTANCE:  
100MΩ MIN
  - 1.4. CURRENT RATING:  
VBUS AND GND CONTACTS RATED AT 1.25A EA  
PARALLELED FOR A TOTAL OF 5A
- 2.0 MECHANICAL CHARACTERISTICS:
  - 2.1 INSERTION FORCE: 20N MAX
  - 2.2. EXTRACTION FORCE: 8N MIN, 20 N MAX.
  - 2.3 DURABILITY: 10,000 CYCLES
  - 3.0 OPERATING TEMPERATURE: -55°C TO +85°

A  
B  
C  
D  
E  
F

DESIGNED BY: [REDACTED]	DATE: 07/23/14	CnC Tech, LLC
GENERAL # [REDACTED]	AVEN 07/23/14	
DESIGNED BY: [REDACTED]	DATE: 07/23/14	TITLE: USB 2.0 TYPE-C COMM. RECEPTACLE - MID MOUNT TYPE
DESIGNED BY: [REDACTED]	AVEN 07/23/14	
CHECKED BY: [REDACTED]	DATE: 07/23/14	SERIES: AR20 SERIES SIZE: A3
ROGER 07/23/14	DATE: 07/23/14	
APPROVED BY: [REDACTED]	DATE: 07/23/14	DWG NO: C-AR20-00-00 REV: X6
ROGER 07/23/14	DATE: 07/23/14	
UNIT: INCH	SCALE: 4:1	
UNIT: MM	SCALE: 4:1	
UNIT: INCH	SCALE: 4:1	
UNIT: MM	SCALE: 4:1	