

# bq51222 双路模式 5W (WPC v1.2 和 PMA) 单芯片无线电源接收器

## 1 特性

- 稳健的 5W 解决方案，热损耗降低 50%，从而提高热性能
  - 针对最薄解决方案的无电感器接收器
  - 可调节输出电压（4.5 至 8V），以实现线圈和热性能优化
  - 效率高达 96% 的完全同步整流器
  - 后置调节器的效率达 97%
  - 5 W 时系统效率达 79%
- 与 WPC v1.2 和 PMA 标准兼容的通信
- 已获专利的发送器焊盘检测功能提升了用户体验
- 与主机进行 I<sup>2</sup>C 通信

## 2 应用范围

- 智能手机、平板电脑和头戴式耳机
- Wi-Fi 热点
- 移动电源
- 其他手持式器件

## 3 说明

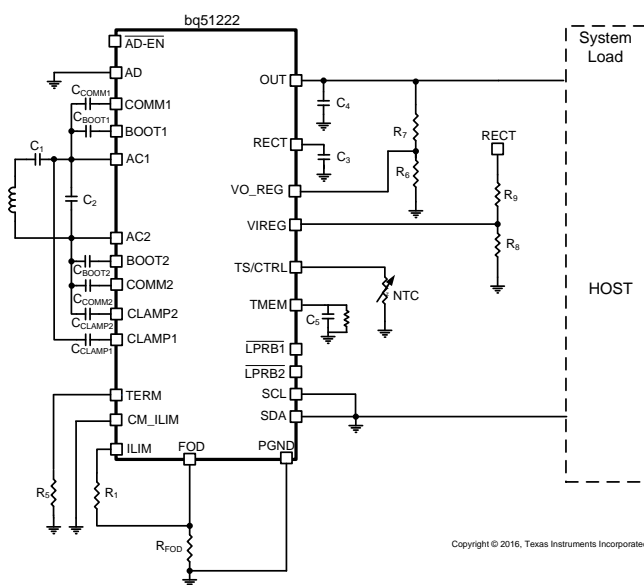
bq51222 器件是一款装备齐全的无线电源接收器，此接收器能够以无线充电联盟 (WPC) Qi 和电源事物联盟 (PMA) 协议运行，这使得无线电源系统满足这两种感应充电标准。bq51222 器件提供针对这两种标准的单器件电源转换（整流和稳压）以及数字控制和通信。它还具有协议自主检测功能，并且无需额外的有源器件。bq51222 器件符合 WPC v1.2 和 PMA 通信协议。与 WPC 或 PMA 一次侧控制器搭配使用时，bq51222 器件可为无线电源解决方案实现一套完整的无线电源传输系统。此接收器可采用市场领先的封装、效率和解决方案实现同步整流、稳压和控制与通信。

### 器件信息<sup>(1)</sup>

器件型号	封装	封装尺寸 (最大值)
bq51222	DSBGA (42)	3.586mm x 2.874mm

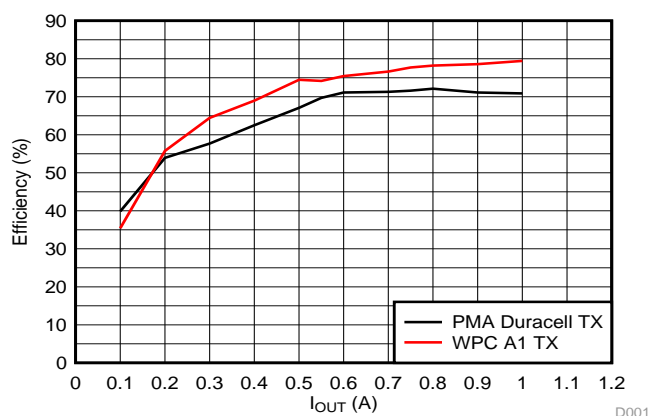
(1) 要了解所有可用封装，请参见数据表末尾的可订购产品附录。

简化原理图



Copyright © 2016, Texas Instruments Incorporated

双路模式效率 (5V 输出)



D001



## 目录

<b>1</b>	特性 .....	<b>1</b>	8.4	Device Functional Modes .....	<b>18</b>
<b>2</b>	应用范围 .....	<b>1</b>	8.5	Register Maps .....	<b>22</b>
<b>3</b>	说明 .....	<b>1</b>	<b>9</b>	<b>Application and Implementation</b> .....	<b>28</b>
<b>4</b>	修订历史记录 .....	<b>2</b>	9.1	Application Information .....	<b>28</b>
<b>5</b>	<b>Device Comparison Table</b> .....	<b>3</b>	9.2	Typical Applications .....	<b>29</b>
<b>6</b>	<b>Pin Configuration and Functions</b> .....	<b>3</b>	<b>10</b>	<b>Power Supply Recommendations</b> .....	<b>41</b>
<b>7</b>	<b>Specifications</b> .....	<b>4</b>	<b>11</b>	<b>Layout</b> .....	<b>42</b>
7.1	Absolute Maximum Ratings .....	<b>4</b>	11.1	Layout Guidelines .....	<b>42</b>
7.2	ESD Ratings .....	<b>5</b>	11.2	Layout Example .....	<b>42</b>
7.3	Recommended Operating Conditions .....	<b>5</b>	<b>12</b>	<b>器件和文档支持</b> .....	<b>43</b>
7.4	Thermal Information .....	<b>5</b>	12.1	器件支持 .....	<b>43</b>
7.5	Electrical Characteristics .....	<b>6</b>	12.2	接收文档更新通知 .....	<b>43</b>
7.6	Typical Characteristics .....	<b>8</b>	12.3	社区资源 .....	<b>43</b>
<b>8</b>	<b>Detailed Description</b> .....	<b>9</b>	12.4	商标 .....	<b>43</b>
8.1	Overview .....	<b>9</b>	12.5	静电放电警告 .....	<b>43</b>
8.2	Functional Block Diagram .....	<b>11</b>	12.6	Glossary .....	<b>43</b>
8.3	Feature Description .....	<b>12</b>	<b>13</b>	<b>机械、封装和可订购信息</b> .....	<b>43</b>

## 4 修订历史记录

### Changes from Original (July 2016) to Revision A

**Page**

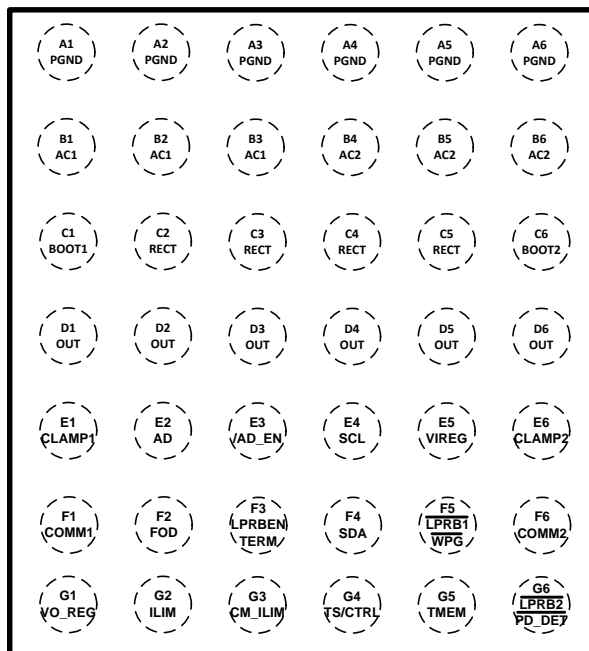
•	已更改“产品预览”至“量产数据” .....	<b>1</b>
---	------------------------	----------

## 5 Device Comparison Table

DEVICE	MODE	MORE
bq51221	Dual (WPC v1.1, PMA)	Adjustable output voltage, highest system efficiency, I <sup>2</sup> C
bq51222	Dual (WPC v1.2, PMA)	Adjustable output voltage, highest system efficiency, I <sup>2</sup> C
bq51021	WPC v1.1	Adjustable output voltage, highest system efficiency, I <sup>2</sup> C
bq51020	WPC v1.1	Adjustable output voltage, highest system efficiency, standalone

## 6 Pin Configuration and Functions

**YFP Package  
42-Pin DSBGA  
Top View**



**Pin Functions**

PIN		TYPE	DESCRIPTION
NAME	NUMBER		
AC1	B1, B2, B3	I	AC input power from receiver resonant tank
AC2	B4, B5, B6	I	
AD	E2	I	Adapter sense pin
$\overline{\text{AD-EN}}$	E3	O	Push-pull driver for PFET that can pass AD input to the OUT pin; used for adapter mux control
BOOT1	C1	O	Bootstrap capacitors for driving the high-side FETs of the synchronous rectifier
BOOT2	C6	O	
COMM1	F1	O	Open-drain FETs used to communicate with primary by varying reflected impedance
COMM2	F6	O	
CLAMP1	E1	O	Open-drain FETs used to clamp the secondary voltage by providing low impedance across secondary
CLAMP2	E6	O	
CM_ILIM	G3	I	Enables or disables communication current limit; can be pulled high or low to disable or enable communication current limit
FOD	F2	I	Input that is used for scaling the received power message
ILIM	G2	I/O	Output current or overcurrent level programming pin

**Pin Functions (continued)**

PIN		TYPE	DESCRIPTION
NAME	NUMBER		
$\overline{\text{LPRB1}}$	F5	O	Open drain – active to help drive RECT voltage high at light load on a PMA TX
$\overline{\text{LPRB2}}$	G6		
OUT	D1, D2, D3, D4, D5, D6	O	Output pin, used to deliver power to the load
$\overline{\text{PD\_DET}}$	G6	O	Open drain output that allows user to sense when receiver is on transmitter
PGND	A1, A2, A3, A4, A5, A6	—	Power and logic ground
RECT	C2, C3, C4, C5	O	Filter capacitor for the internal synchronous rectifier
SCL	E4	I	SCL and SDA are used for I <sup>2</sup> C communication
SDA	F4	I	
TERM, LPRBEN	F3	I	Sets termination current as a percentage of I <sub>ILIM</sub> as TERM pin. When TERM resistor is populated, LPRB pins are enabled with appropriate function
TMEM	G5	O	TMEM allows capacitor to be connected to GND so energy from transmitter ping can be stored to retain memory of state
TS/CTRL	G4	I	Temperature sense. Can be pulled high to send end power transfer (EPT) or end of charge (EOC) to TX
VIREG	E5	I	Rectifier voltage feedback
VO_REG	G1	I	Sets the regulation voltage for output
$\overline{\text{WPG}}$	F5	O	Open-drain output that allows user to sense when power is transferred to load

## 7 Specifications

### 7.1 Absolute Maximum Ratings

 over operating free-air temperature (unless otherwise noted)<sup>(1) (2)</sup>

		MIN	MAX	UNIT
Input voltage	AC1, AC2	−0.8	20	V
	RECT, COMM1, COMM2, OUT, $\overline{\text{LPRB1}}$ , $\overline{\text{LPRB2}}$ , CLAMP1, CLAMP2, $\overline{\text{WPG}}$ , $\overline{\text{PD\_DET}}$	−0.3	20	
	AD, $\overline{\text{AD-EN}}$	−0.3	30	
	BOOT1, BOOT2	−0.3	20	
	SCL, SDA, TERM, CM_ILIM, FOD, TS/CTRL, ILIM, TMEM, VIREG, VO_REG, LPRBEN	−0.3	7	
Input current	AC1, AC2 (RMS)	2.5		A
Output current	OUT	1.5		A
Output sink current	$\overline{\text{LPRB1}}$ , $\overline{\text{LPRB2}}$	15		mA
Output sink current	COMM1, COMM2	1		A
Junction temperature, T <sub>J</sub>		−40	150	°C
Storage temperature, T <sub>stg</sub>		−65	150	°C

(1) All voltages are with respect to the PGND pin, unless otherwise noted.

(2) Stresses beyond those listed under absolute maximum ratings may cause permanent damage to the device. These are stress ratings only, and functional operation of the device at these or any other conditions beyond those indicated under recommended operating conditions is not implied. Exposure to absolute-maximum-rated conditions for extended periods may affect device reliability.

## 7.2 ESD Ratings

			VALUE	UNIT
$V_{(ESD)}$ <sup>(1)</sup>	Electrostatic discharge	Human body model (HBM), per ANSI/ESDA/JEDEC JS-001, all pins <sup>(2)</sup> , 100 pF, 1.5 k $\Omega$	$\pm 2000$	V
		Charged device model (CDM), per JEDEC specification JESD22-C101, all pins <sup>(3)</sup>	$\pm 500$	

- (1) Electrostatic discharge (ESD) to measure device sensitivity and immunity to damage caused by assembly line electrostatic discharges in to the device.
- (2) JEDEC document JEP155 states that 500-V HBM allows safe manufacturing with a standard ESD control process.
- (3) JEDEC document JEP157 states that 250-V CDM allows safe manufacturing with a standard ESD control process.

## 7.3 Recommended Operating Conditions

over operating free-air temperature range (unless otherwise noted)

		MIN	MAX	UNIT
$V_{RECT}$	RECT voltage range	4	10	V
$I_{OUT}$	Output current		1	A
$I_{AD-EN}$	Sink current		1	mA
$I_{COMM}$	COMMx sink current		500	mA
$T_J$	Junction temperature	0	125	$^{\circ}\text{C}$

## 7.4 Thermal Information

THERMAL METRIC <sup>(1)</sup>		bq51222		UNIT
		YFP (DSBGA)		
		42 PINS		
$R_{\theta JA}$	Junction-to-ambient thermal resistance <sup>(2)</sup>	49.7		$^{\circ}\text{C}/\text{W}$
$R_{\theta JC(top)}$	Junction-to-case (top) thermal resistance <sup>(3)</sup>	0.2		$^{\circ}\text{C}/\text{W}$
$R_{\theta JB}$	Junction-to-board thermal resistance <sup>(4)</sup>	6.1		$^{\circ}\text{C}/\text{W}$
$\Psi_{JT}$	Junction-to-top characterization parameter <sup>(5)</sup>	1.4		$^{\circ}\text{C}/\text{W}$
$\Psi_{JB}$	Junction-to-board characterization parameter <sup>(6)</sup>	6		$^{\circ}\text{C}/\text{W}$
$R_{\theta JC(bot)}$	Junction-to-case (bottom) thermal resistance <sup>(7)</sup>	N/A		$^{\circ}\text{C}/\text{W}$

- (1) For more information about traditional and new thermal metrics, see the [Semiconductor and IC Package Thermal Metrics](#) application report.
- (2) The junction-to-ambient thermal resistance under natural convection is obtained in a simulation on a JEDEC-standard, high-K board, as specified in JESD51-7, in an environment described in JESD51-2a.
- (3) The junction-to-case (top) thermal resistance is obtained by simulating a cold plate test on the package top. No specific JEDEC-standard test exists, but a close description can be found in the ANSI SEMI standard G30-88.
- (4) The junction-to-board thermal resistance is obtained by simulating in an environment with a ring cold plate fixture to control the PCB temperature, as described in JESD51-8.
- (5) The junction-to-top characterization parameter,  $\Psi_{JT}$ , estimates the junction temperature of a device in a real system and is extracted from the simulation data for obtaining  $R_{\theta JA}$ , using a procedure described in JESD51-2a (sections 6 and 7).
- (6) The junction-to-board characterization parameter,  $\Psi_{JB}$ , estimates the junction temperature of a device in a real system and is extracted from the simulation data for obtaining  $R_{\theta JA}$ , using a procedure described in JESD51-2a (sections 6 and 7).
- (7) The junction-to-case (bottom) thermal resistance is obtained by simulating a cold plate test on the exposed (power) pad. No specific JEDEC standard test exists, but a close description can be found in the ANSI SEMI standard G30-88.

## 7.5 Electrical Characteristics

 $I_{LOAD} = I_{OUT}$ , over operating free-air temperature range (unless otherwise noted)

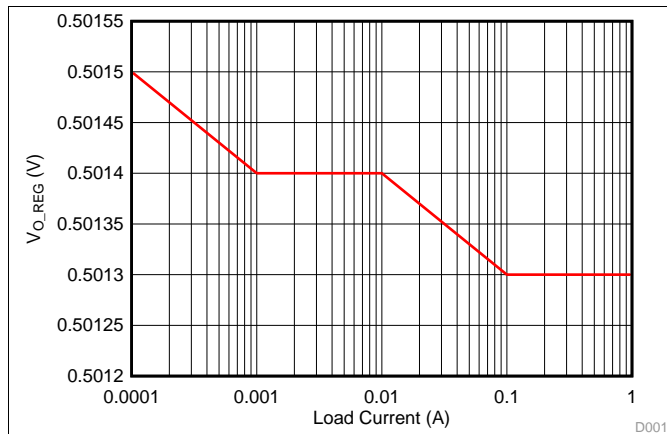
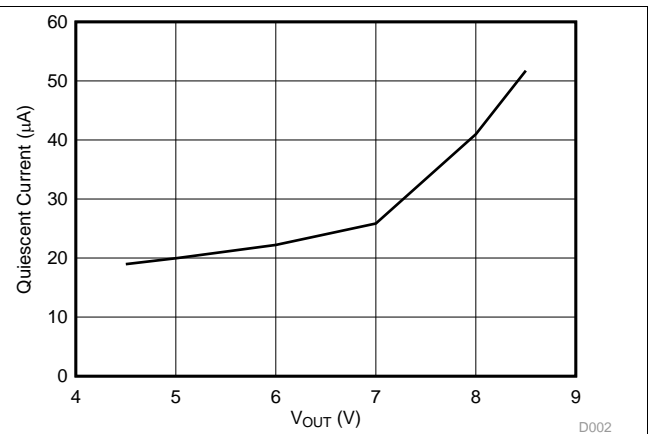
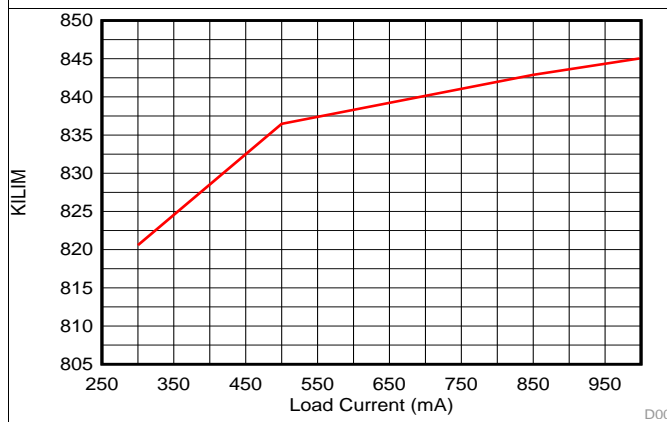
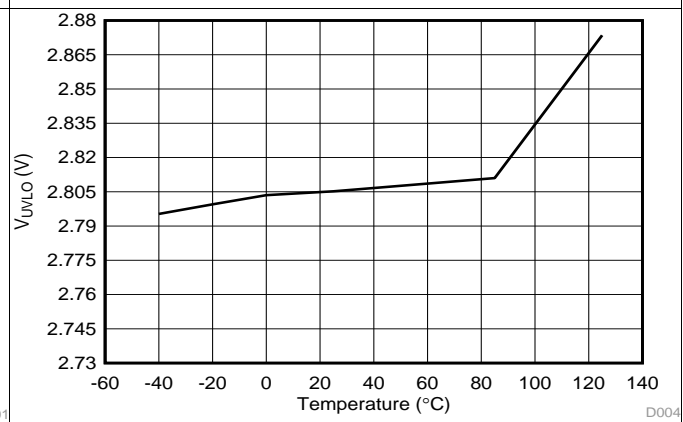
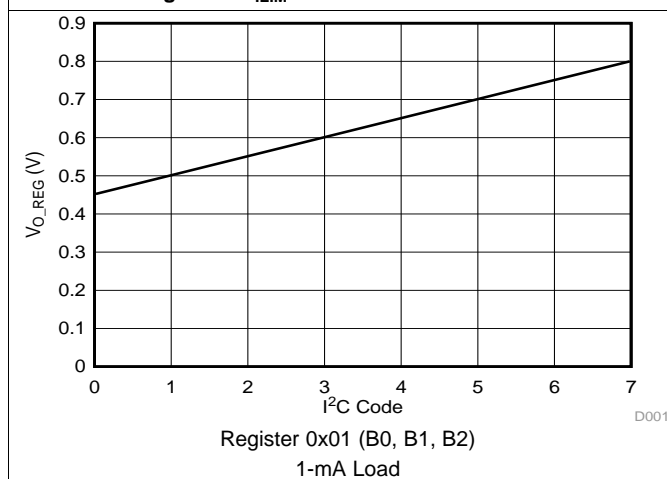
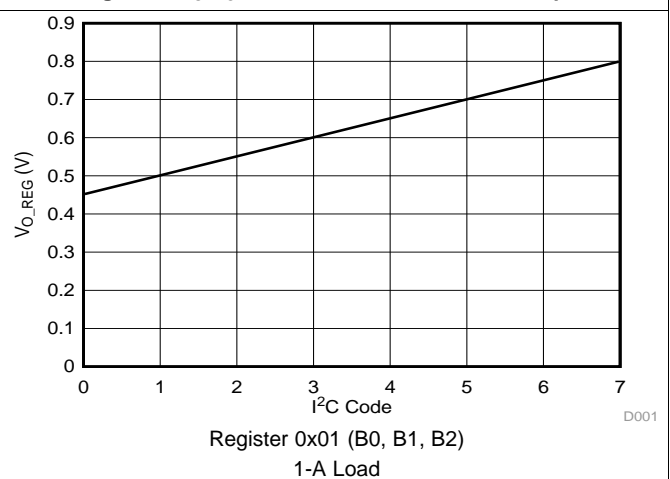
PARAMETER		TEST CONDITIONS	MIN	TYP	MAX	UNIT
$V_{UVLO}$	Undervoltage lockout	$V_{RECT}$ : 0 to 3 V		2.8	2.9	V
$V_{HYS-UVLO}$	Hysteresis on UVLO	$V_{RECT}$ : 3 to 2 V		393		mV
$V_{RECT-OVP}$	Input overvoltage threshold	$V_{RECT}$ : 5 to 16 V	14.6	15.1	15.6	V
$V_{HYS-OVP}$	Hysteresis on OVP	$V_{RECT}$ : 16 to 5 V		1.5		V
$V_{RECT(REG)}$	Voltage at RECT pin set by communication with primary		$V_{OUT} + 0.12$		$V_{OUT} + 2$	V
$V_{RECT(TRACK)}$	$V_{RECT}$ regulation above $V_{OUT}$	$V_{ILIM} = 1.2 V$		140		mV
$I_{LOAD-HYS}$	$I_{LOAD}$ hysteresis for dynamic $V_{RECT}$ thresholds as a % of $I_{ILIM}$	$I_{LOAD}$ falling		4%		
$V_{RECT-DPM}$	Rectifier under voltage protection, restricts $I_{OUT}$ at $V_{RECT-DPM}$		3	3.1	3.2	V
$V_{RECT-REV}$	Rectifier reverse voltage protection with a supply at the output	$V_{RECT-REV} = V_{OUT} - V_{RECT}$ ; $V_{OUT} = 10 V$		8.8	9.2	V
$I_{LPRB1-dis}$	Current at which $LPRB1$ is disabled	$I_{OUT}$ 0 to 200 mA		125		mA
$I_{LPRB2-dis}$	Current at which $LPRB2$ is disabled	$I_{OUT}$ 0 to 400 mA		322		mA
<b>QUIESCENT CURRENT</b>						
$I_{OUT(standby)}$	Quiescent current at the output when wireless power is disabled	$V_{OUT} \leq 5 V$ , $0^\circ C \leq T_J \leq 85^\circ C$		20	35	$\mu A$
<b>ILIM SHORT CIRCUIT</b>						
$R_{ILIM-SHORT}$	Highest value of $R_{ILIM}$ resistor considered a fault (short). Monitored for $I_{OUT} > 100 mA$	$R_{ILIM}$ : 200 to 50 $\Omega$ . $I_{OUT}$ latches off, cycle power to reset		215	230	$\Omega$
$t_{DGL-Short}$	Deglintch time transition from ILIM short to $I_{OUT}$ disable			1		ms
$I_{LIM\_SC}$	$I_{LIM-SHORT,OK}$ enables the ILIM short comparator when $I_{OUT}$ is greater than this value	$I_{LOAD}$ : 0 to 200 mA	110	125	140	mA
$I_{LIM-SHORT,OK}$ HYSTERESIS	Hysteresis for $I_{LIM-SHORT,OK}$ comparator	$I_{LOAD}$ : 200 to 0 mA		20		mA
$I_{OUT-CL}$	Maximum output current limit	Maximum $I_{LOAD}$ that can be delivered for 1 ms when ILIM is shorted		3.7		A
<b>OUTPUT</b>						
$V_{O\_REG}$	Feedback voltage set point	$I_{LOAD} = 1000 mA$	0.495	0.5013	0.5075	V
		$I_{LOAD} = 1 mA$	0.4951	0.5014	0.5076	
$K_{ILIM}$	Current programming factor for hardware short circuit protection	$R_{ILIM} = K_{ILIM} / I_{ILIM}$ , where $I_{ILIM}$ is the hardware current limit $I_{OUT} = 850 mA$		842		A $\Omega$
$I_{OUT\_RANGE}$	Current limit programming range				1500	mA
$I_{COMM}$	Output current limit during communication	$I_{OUT} \geq 400 mA$		$I_{OUT} - 50$		mA
		$100 mA \leq I_{OUT} < 400 mA$		$I_{OUT} + 50$		
		$I_{OUT} < 100 mA$		None		
$t_{HOLD-OFF}$	Hold off time for the communication current limit during startup			1		s

**Electrical Characteristics (continued)**
 $I_{LOAD} = I_{OUT}$ , over operating free-air temperature range (unless otherwise noted)

PARAMETER		TEST CONDITIONS	MIN	TYP	MAX	UNIT
<b>TS/CTRL</b>						
$V_{TS-Bias}$	TS bias voltage (internal)	$I_{TS-Bias} < 100 \mu A$ and communication is active (periodically driven, see $t_{TS/CTRL-Meas}$ )		1.8		V
$V_{CTRL-HI}$	CTRL pin threshold for a high	$V_{TS/CTRL}$ : 50 to 150 mV	90	105	120	mV
$T_{TS/CTRL-Meas}$	Time period of TS/CTRL measurements, when TS is being driven	TS bias voltage is only driven when power packets are sent			1700	ms
$V_{TS-HOT}$	Voltage at TS pin when device shuts down			0.38		V
<b>THERMAL PROTECTION</b>						
$T_{J(OFF)}$	Thermal shutdown temperature			155		°C
$T_{J(OFF-HYS)}$	Thermal shutdown hysteresis			20		°C
<b>OUTPUT LOGIC LEVELS ON <math>\overline{WPG}</math></b>						
$V_{OL}$	Open drain $\overline{WPG}$ pin	$I_{SINK} = 5 \text{ mA}$			550	mV
$I_{OFF,STAT}$	$\overline{WPG}$ leakage current when disabled	$V_{WPG} = 20 \text{ V}$			1	$\mu A$
<b>COMM PIN</b>						
$R_{DS-ON(COMM)}$	COMM1 and COMM2	$V_{RECT} = 2.6 \text{ V}$		1		$\Omega$
$f_{COMM}$	Signaling frequency on COMMx pin for WPC			2.00		Kb/s
$I_{OFF,COMM}$	COMMx pin leakage current	$V_{COMM1} = 20 \text{ V}$ , $V_{COMM2} = 20 \text{ V}$			1	$\mu A$
<b>CLAMP PIN</b>						
$R_{DS-ON(CLAMP)}$	CLAMP1 and CLAMP2			0.5		$\Omega$
<b>ADAPTER ENABLE</b>						
$V_{AD-EN}$	$V_{AD}$ rising threshold voltage	$V_{AD} 0 \text{ V to } 5 \text{ V}$	3.5	3.6	3.8	V
$V_{AD-EN-HYS}$	$V_{AD-EN}$ hysteresis	$V_{AD} 5 \text{ V to } 0 \text{ V}$		450		mV
$I_{AD}$	Input leakage current	$V_{RECT} = 0 \text{ V}$ , $V_{AD} = 5 \text{ V}$			50	$\mu A$
$R_{AD-EN-OUT}$	Pullup resistance from $\overline{AD-EN}$ to OUT when adapter mode is disabled and $V_{OUT} > V_{AD}$	$V_{AD} = 0 \text{ V}$ , $V_{OUT} = 5 \text{ V}$		230	350	$\Omega$
$V_{AD-EN-ON}$	Voltage difference between $V_{AD}$ and $V_{AD-EN}$ when adapter mode is enabled	$V_{AD} = 5 \text{ V}$ , $0^\circ C \leq T_J \leq 85^\circ C$	4	4.5	5	V
		$V_{AD} = 9 \text{ V}$ , $0^\circ C \leq T_J \leq 85^\circ C$	3	6	7	V
<b>SYNCHRONOUS RECTIFIER</b>						
$I_{SYNC-EN}$	$I_{OUT}$ at which the synchronous rectifier enters half synchronous mode	$I_{OUT}$ : 200 mA to 0 mA		100		mA
$I_{SYNC-EN-HYST}$	Hysteresis for $I_{OUT,RECT-EN}$ (full-synchronous mode enabled)	$I_{OUT}$ 0 mA to 200 mA		40		mA
$V_{HS-DIODE}$	High-side diode drop when the rectifier is in half synchronous mode	$I_{AC-VRECT} = 250 \text{ mA}$ , and $T_J = 25^\circ C$		0.7		V
<b>I<sup>2</sup>C</b>						
$V_{IL}$	Input low threshold level SDA	$V(PULLUP) = 1.8 \text{ V}$ , SDA			0.4	V
$V_{IH}$	Input high threshold level SDA	$V(PULLUP) = 1.8 \text{ V}$ , SDA	1.4			V
$V_{IL}$	Input low threshold level SCL	$V(PULLUP) = 1.8 \text{ V}$ , SCL			0.4	V
$V_{IH}$	Input high threshold level SCL	$V(PULLUP) = 1.8 \text{ V}$ , SCL	1.4			V
$I^2C$ speed		Typical		100		kHz

## 7.6 Typical Characteristics

Temperature = 25°C (unless otherwise noted)


**Figure 1. Output Voltage Feedback as a Function of Load**

**Figure 2. Quiescent Current as a Function of Output Voltage**

**Figure 3. K<sub>ILIM</sub> as a Function of Load Current**

**Figure 4. V<sub>UVLO</sub> as a Function of Junction Temperature**

**Figure 5. Register 0x01 control of V<sub>O\_REG</sub>**

**Figure 6. Register 0x01 control of V<sub>O\_REG</sub>**



## 8 Detailed Description

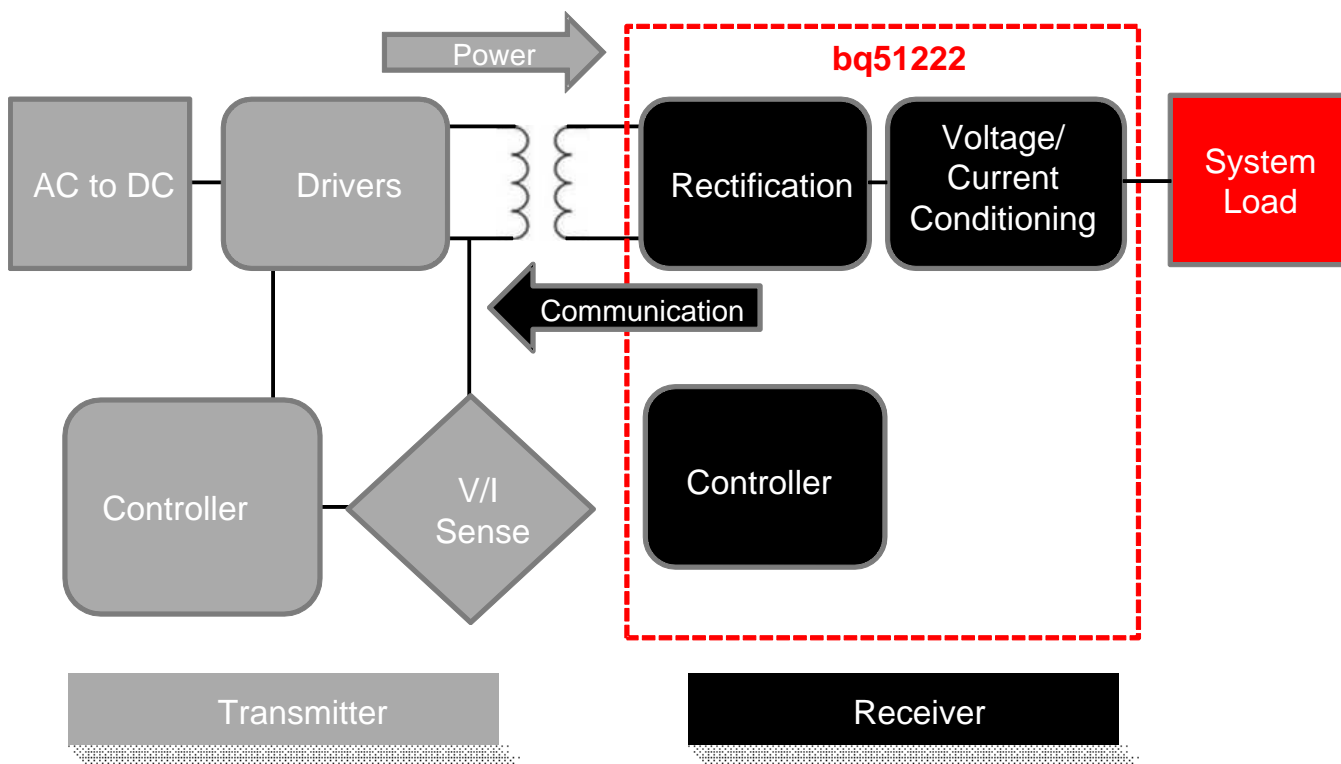
### 8.1 Overview

Both WPC and PMA wireless power systems consist of a charging pad (primary, transmitter) and the secondary-side equipment (receiver). There are coils in the charging pad and secondary equipment, which magnetically couple to each other when the receiver is placed on the transmitter. Power is transferred from the primary to the secondary by transformer action between the coils. The receiver can achieve control over the amount of power transferred by getting the transmitter to change the field strength by changing the frequency, or duty cycle, or voltage rail energizing the primary coil.

The receiver equipment communicates with the primary by modulating the load seen by the primary. This load modulation results in a change in the primary coil current or primary coil voltage, or both, which is measured and demodulated by the transmitter.

In WPC, the system communication is digital — packets that are transferred from the secondary to the primary. Differential bi-phase encoding is used for the packets. The bit rate is 2 kb/s. Various types of communication packets are defined. These include identification and authentication packets, error packets, control packets, power usage packets, and end power transfer packets, among others.

An PMA-compliant receiver communicates based on continuous transmission of signals from the receiver to the transmitter. The PMA specification defines six different communications symbols. These are increment (INC), decrement (DEC), no change (NoCh), end of charge (EOC), MsgBit, and a symbol for future use. Each PMA receiver has a unique PMA RXID, which is a 6-byte unique message that is sent to the PMA TX at startup.



**Figure 7. Dual Mode Wireless Power System Indicating the Functional Integration of the bq51222 Family**

The bq51222 device integrates fully-compliant WPC v1.2 and PMA communication protocols in order to streamline the dual mode receiver designs (no extra software development required). Other unique algorithms such as *Dynamic Rectifier Control* are integrated to provide best-in-class system efficiency while keeping the smallest solution size of the industry.

## Overview (continued)

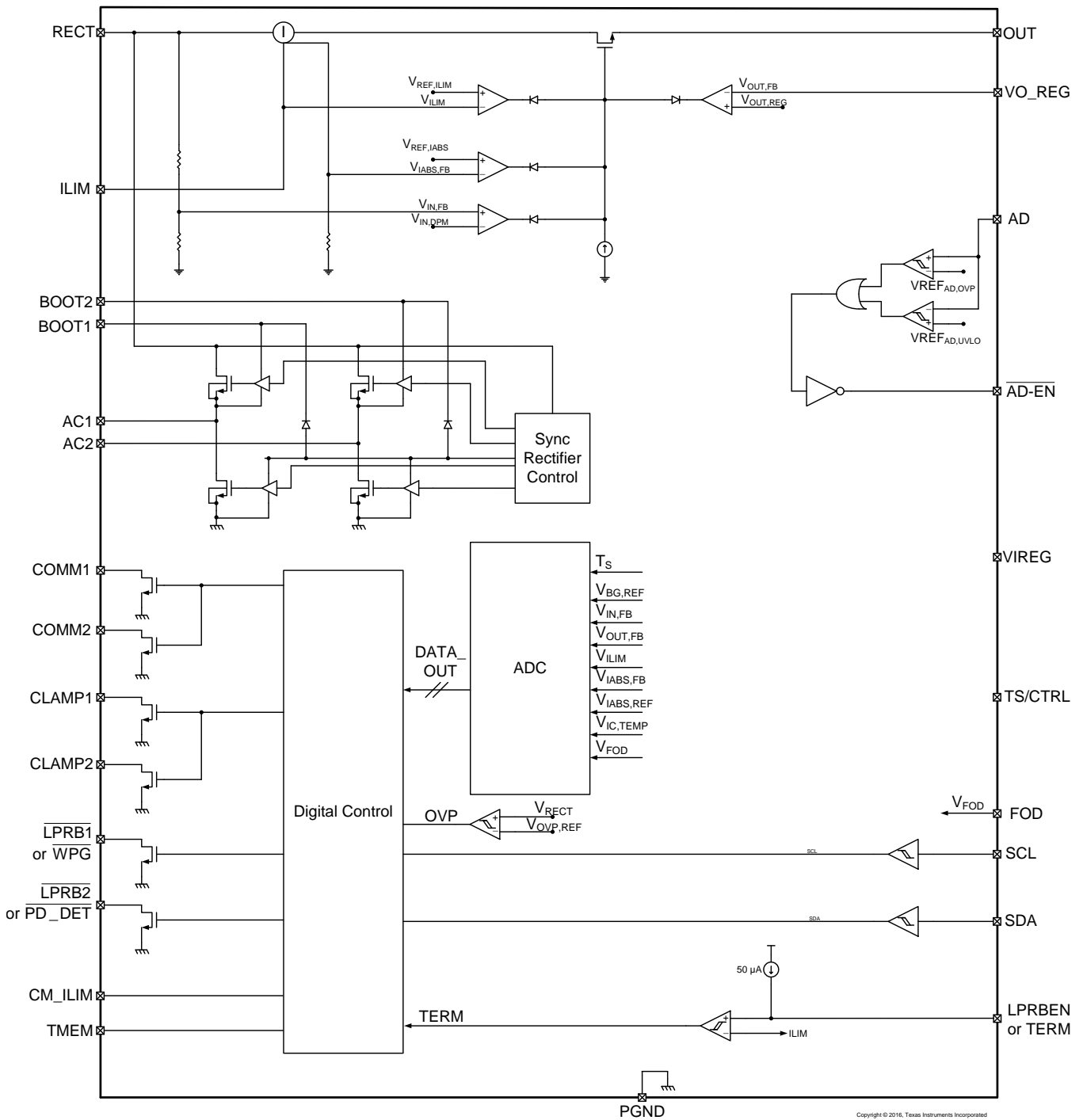
As a WPC system, when the receiver shown in [Figure 7](#) is placed on the charging pad, the secondary coil couples to the magnetic flux generated by the coil in the transmitter, which consequently induces a voltage in the secondary coil. The internal synchronous rectifier feeds this voltage to the RECT pin, which in turn feeds the LDO which feeds the output.

The bq51222 device identifies and authenticates itself to the primary using the COMMx pins, switching on and off the COMM FETs, and hence switching in and out COMM capacitors. If the authentication is successful, the primary remains powered-up. The bq51222 device measures the voltage at the RECT pin, calculates the difference between the actual voltage and the desired voltage  $V_{RECT(REG)}$ , and sends back error packets to the transmitter. This process goes on until the input voltage settles at  $V_{RECT(REG) MAX}$ . During a load change, the dynamic rectifier algorithm sets the targets specified by targets between  $V_{RECT(REG) MAX}$  and  $V_{RECT(REG) MIN}$  shown in [Table 1](#). This algorithm enhances the transient response of the power supply.

After the voltage at the RECT pin is at the desired value, a pass FET is enabled. The voltage control loop ensures that the output voltage is maintained at  $V_{OUT(REG)}$ , powering the downstream charger. The bq51222 device meanwhile continues to monitor the input voltage, and keeps sending control error packets (CEP) to the primary on average every 250 ms. If a large transient occurs, the feedback to the primary speeds up to 32-ms communication periods to converge on an operating point in less time.

If the receiver shown in [Figure 7](#) is used with a PMA transmitter, the bq51222 device identifies itself to the PMA transmitter using the COMMx pins. If sufficient power is delivered to the bq51222 device to wake up the device, it responds by modulating the power signal according to the PMA communication protocol. Prior to enabling the output, the bq51222 device transmits an RXID message. This is a unique identification message that is controlled through an IEEE sanctioned database and every bq51222 device comes programmed with its own unique RXID that can be read back using I<sup>2</sup>C. See I<sup>2</sup>C register map in [Register Maps](#) for details on the location of the RXID. The bq51222 device then monitors the voltage at the RECT pin. If there is a difference between the actual voltage and the desired voltage  $V_{RECT(REG)}$ , the device sends a PMA DEC or PMA INC signal to the PMA transmitter to control the RECT voltage to be within the desired window. The receiver regulates  $V_{RECT}$  to a desired window of operation shown in [Figure 15](#).

## 8.2 Functional Block Diagram



## 8.3 Feature Description

### 8.3.1 Dynamic Rectifier Control

#### WPC Mode Only

The *Dynamic Rectifier Control* algorithm offers the end system designer optimal transient response for a given maximum output current setting. This is achieved by providing enough voltage headroom across the internal regulator (LDO) at light loads in order to maintain regulation during a load transient. The WPC system has a relatively slow global feedback loop where it can take up to 150 ms to converge on a new rectifier voltage target. Therefore, a transient response is dependent on the loosely coupled transformer's output impedance profile. The Dynamic Rectifier Control allows for a 1.5-V change in rectified voltage before the transient response is observed at the output of the internal regulator (output of the bq51222 device). A 1-A application allows up to a 2-Ω output impedance. The *Dynamic Rectifier Control* behavior is illustrated in [Figure 13](#) where  $R_{ILIM}$  is set to 680 Ω.

### 8.3.2 Dynamic Power Scaling

#### WPC Mode Only

The *Dynamic Power Scaling* feature allows for the loss characteristics of the bq51222 device to be scaled based on the maximum expected output power in the end application. This effectively optimizes the efficiency for each application. This feature is achieved by scaling the loss of the internal LDO based on a percentage of the maximum output current. Note that the maximum output current is set by the  $K_{ILIM}$  term and the  $R_{ILIM}$  resistance (where  $R_{ILIM} = K_{ILIM} / I_{ILIM}$ ). The flow diagram in [Figure 13](#) shows how the rectifier is dynamically controlled (*Dynamic Rectifier Control*) based on a fixed percentage of the  $I_{ILIM}$  setting. [Table 1](#) summarizes how the rectifier behavior is dynamically adjusted based on two different  $R_{ILIM}$  settings. The table is shown for  $I_{MAX}$ , which is typically lower than  $I_{ILIM}$  (about 20% lower). See [RILIM Calculations](#) for more details.

**Table 1. Dynamic Rectifier Regulation**

OUTPUT CURRENT PERCENTAGE	$R_{ILIM} = 1400 \Omega$ $I_{MAX} = 0.5 \text{ A}$	$R_{ILIM} = 700 \Omega$ $I_{MAX} = 1.0 \text{ A}$	VRECT
0 to 10%	0 to 0.05 A	0 to 0.1 A	$V_{OUT} + 2$
10 to 20%	0.05 to 0.1 A	0.1 to 0.2 A	$V_{OUT} + 1.68$
20 to 40%	0.1 to 0.2 A	0.2 to 0.4 A	$V_{OUT} + 0.56$
>40%	>0.2 A	>0.4 A	$V_{OUT} + 0.12$

[Dynamic Rectifier Control](#) shows the shift in the dynamic rectifier control behavior based on the two different  $R_{ILIM}$  settings. With the rectifier voltage ( $V_{RECT}$ ) being the input to the internal LDO, this adjustment in the *Dynamic Rectifier Control* thresholds dynamically adjusts the power dissipation across the LDO where:

$$P_{DIS} = (V_{RECT} - V_{OUT}) \cdot I_{OUT} \quad (1)$$

[Figure 40](#) shows how the system efficiency is improved due to the *Dynamic Power Scaling* feature. Note that this feature balances efficiency with optimal system transient response.

### 8.3.3 VO\_REG and VIREG Calculations

#### WPC and PMA Modes

The bq51222 device allows the designer to set the output voltage by setting a feedback resistor divider network from the OUT pin to the VO\_REG pin as seen in Figure 8. The resistor divider network should be chosen so that the voltage at the VO\_REG pin is 0.5 V at the desired output voltage. This applies to the default I<sup>2</sup>C code for VO\_REG shown in I<sup>2</sup>C register 0x01 shown in Table 5 (Bits B0, B1, B2).

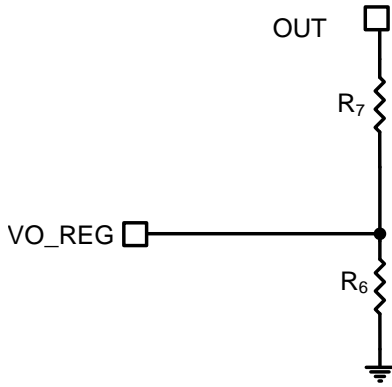


Figure 8. VO\_REG Network

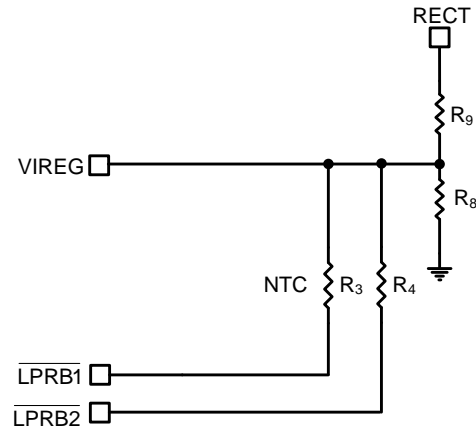


Figure 9. VIREG Network (For PMA)

Choose the desired output voltage  $V_{OUT}$  and  $R_6$ :

$$K_{VO} = \frac{0.5 \text{ V}}{V_{OUT}} \quad (2)$$

$$R_6 = \frac{K_{VO} \times R_7}{1 - K_{VO}} \quad (3)$$

After  $R_6$  and  $R_7$  are chosen, the same divider network is attached to VIREG pin from RECT to GND, as shown in Figure 9.  $R_9 = R_7$  and  $R_8 = R_6$ .

$\overline{\text{LPRB1}}$  and  $\overline{\text{LPRB2}}$  are two additional pins that are used to implement a back cover solution and are used for PMA (see Figure 55). In a back cover solution where the system designer cannot depend on the characteristics of the downstream charger in the phone, these pins can be used to boost the rectifier at a lower power (Low Power Rectifier Boost), so that the system is able to survive a load transient from 0 mA to the maximum current by boosting the rectifier during low power output that the system is designed for. See resistor calculations for  $\overline{\text{LPRB1}}$  and  $\overline{\text{LPRB2}}$ : in the bq51222 web page "Tools & software" tab. The Excel file not only provides how to calculate the LPRB resistor values but also assists with other calculations. The Excel file can be accessed at [www.ti.com/product/bq51222/toolssoftware](http://www.ti.com/product/bq51222/toolssoftware).

Table 2. LPRB Condition Table

$I_{OUT}$	$\overline{\text{LPRB1}}$	$\overline{\text{LPRB2}}$
0 mA < $I_{OUT}$ < 100 mA	ON	ON
100 mA < $I_{OUT}$ < 350 mA	OFF	ON
350 mA < $I_{OUT}$ < Maximum current	OFF	OFF

The  $\overline{\text{LPRB1}}$  and  $\overline{\text{LPRB2}}$  resistors can be omitted in an embedded solution where the system designer is in control of the voltage at which the downstream charger can regulate the input current to prevent the input from collapsing in a load transient (VIN-DPM). The functionality of  $\overline{\text{LPRB1}}$  and  $\overline{\text{LPRB2}}$  can be reverted to  $\overline{\text{WPG}}$  and  $\overline{\text{PD\_DET}}$  by not populating the TERM resistor. In this case, the host enables the charge complete on the TS/CTRL pin by pulling this pin high.

For the back cover solution, the TERM resistor is populated and this enables  $\overline{\text{LPRB1}}$  and  $\overline{\text{LPRB2}}$  functionality. The functionality can be seen in Table 2.

### 8.3.4 RILIM Calculations

#### WPC and PMA Modes

The bq51222 device includes a means of providing hardware overcurrent protection ( $I_{ILIM}$ ) through an analog current regulation loop. The hardware current limit provides an extra level of safety by clamping the maximum allowable output current (for example, current compliance). The  $R_{ILIM}$  resistor size also sets the thresholds for the dynamic rectifier levels providing efficiency tuning per each application's maximum system current. The calculation for the total  $R_{ILIM}$  resistance is as follows:

$$R_{ILIM} = K_{ILIM} / I_{ILIM} \quad (4)$$

$$R_1 = R_{ILIM} - R_{FOD} \quad (5)$$

$R_{ILIM}$  allows for the ILIM pin to reach 1.2 V at an output current equal to  $I_{ILIM}$ . When choosing  $R_{ILIM}$ , two options are possible.

If the user's application requires an output current equal to or greater than the external  $I_{ILIM}$  that the circuit is designed for (input current limit on the charger where the receiver device is tied higher than the external  $I_{ILIM}$ ), ensure that the downstream charger is capable of regulating the voltage of the input into which the receiver device output is tied to by lowering the amount of current being drawn. This ensures that the receiver output does not drop to 0 V. Such behavior is referred to as Dynamic Power Management (VIN-DPM) in TI chargers. Unless such behavior is enabled on the charger, the charger will pull the output of the receiver device to ground when the receiver device enters current regulation. If the user's applications are designed to extract less than the  $I_{ILIM}$  (1-A maximum), typical designs should leave a design margin of at least 10%, so that the voltage at ILIM pin reaches 1.2 V when 10% more than maximum current is drawn from the output. Such a design would have input current limit on the charger lower than the external ILIM of the receiver device. In both cases however, the charger must be capable of regulating the current drawn from the device to allow the output voltage to stay at a reasonable value. This same behavior is also necessary during the WPC communication. The following calculations show how such a design is achieved:

$$R_{ILIM} = K_{ILIM} / (1.1 \times I_{ILIM}) \quad (6)$$

$$R_1 = R_{ILIM} - R_{FOD} \quad (7)$$

where  $I_{LIM}$  is the hardware current limit.

When referring to the application diagram shown in [Typical Applications](#),  $R_{ILIM}$  is the sum of the  $R_1$  and  $R_{FOD}$  resistance (that is, the total resistance from the ILIM pin to GND).  $R_{FOD}$  is chosen according to the application. The tool for calculating  $R_{FOD}$  can be obtained by contacting your TI representative. Use  $R_{FOD}$  to allow the receiver implementation to comply with WPC v1.2 requirements related to received power accuracy.

### 8.3.5 Adapter Enable Functionality

#### WPC and PMA Modes

The bq51222 device can also help manage the multiplexing of adapter power to the output and can shut off the TX when the adapter is plugged in and is above the  $V_{AD-EN}$ . After the adapter is plugged in and the output turns off, the RX device sends an EOC to the TX. In this case, the  $\overline{AD\_EN}$  pins are then pulled to approximately 4 V below AD, which allows the device turn on the back-to-back PMOS connected between AD and OUT ([Figure 54](#)).

Both the AD and  $\overline{AD-EN}$  pins are rated at 30 V, while the OUT pin is rated at 20 V. It must also be noted that it is required to connect a back-to-back PMOS between AD and OUT so that voltage is blocked in both directions. Also, when AD mode is enabled, no load can be pulled from the RECT pin as this could cause an internal device overvoltage in the bq51222 device.

### 8.3.6 Turning Off the Transmitter

#### WPC and PMA Modes

Both specifications allow the receiver to turn off the transmitter and put the system in a low-power standby mode. There are two different ways to accomplish this with the bq51222 device. In both modes, the EPT charge complete (WPC) or end of charge (PMA) can be sent to the TX by pulling the TS pin high (above 1.4 V). The bq51222 device will then sense this and send the appropriate signal to the TX, thus putting the TX in a low power standby mode.

### 8.3.6.1 WPC End Power Transfer (EPT)

The WPC allows for a special command to terminate power transfer from the TX termed EPT packet. The v1.2 specifies the following reasons and their responding data field value in [Table 3](#).

**Table 3. End Power Transfer Codes in WPC**

REASON	VALUE	CONDITION <sup>(1)</sup>
Unknown	0x00	AD > 3.6 V
Charge Complete	0x01	TS/CTRL = 1
Internal Fault	0x02	$T_J > 150^\circ\text{C}$ or $R_{ILIM} < 215 \Omega$
Over Temperature	0x03	$TS < V_{TS-HOT}$ , or $TS/CTRL < 100 \text{ mV}$ <sup>(2)</sup>
Over Voltage	0x04	$V_{RECT}$ target does not converge <sup>(3)</sup>
Over Current	0x05	Not sent
Battery Failure	0x06	Not sent
Reconfigure	0x07	Not sent
No Response	0x08	Not sent

- (1) The *Condition* column corresponds to the case where the bq51222 device will send the WPC EPT command.
- (2) The  $TS < V_{TS-HOT}$  condition refers to using an external thermistor for temperature control. The  $TS/CTRL < 100 \text{ mV}$  condition refers to driving the TS/CTRL pin from an external GPIO.
- (3) If the voltage on the RECT pin does not reach the required value (typically 8 V) within 64 error packets during startup (weak coil coupling), the receiver sends EPT-OV and the transmitter will shut off.

### 8.3.6.2 PMA EOC

PMA EOC is a state where the bq51222 device disables the output and sends EOC frequency to terminate the power transfer on a PMA transmitter. This can be done by setting the TERM pin resistor so that the voltage on the TERM pin is higher than the ILIM pin at the desired termination current. This TERM resistor method of sending the EOC to the transmitter only works with PMA TX. After the TERM resistor is populated, it also changes the behavior of the LPRBx pins. Check the section on LPRBx resistors for more information. Another way to send an EOC to the PMA TX is to pull the TS pin above 1.4 V through an external pullup.

### 8.3.7 CM\_ILIM

#### WPC Mode Only

Communication current limit is a feature that allows for error free communication to happen between the RX and TX in the WPC mode. This is done by decoupling the coil from the load transients by limiting the output current during communication with the TX. The communication current limit is set according to [Table 4](#). The communication current limit can be disabled by pulling CM\_ILIM pin high (> 1.4 V) or enabled by pulling the CM\_ILIM pin low. There is an internal pulldown that enables communication current limit when the CM\_ILIM pin is left floating.

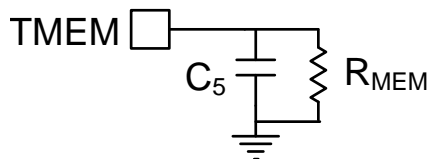
**Table 4. Communication Current Limit Table**

$I_{OUT}$	COMMUNICATION CURRENT LIMIT
$0 \text{ mA} < I_{OUT} < 100 \text{ mA}$	None
$100 \text{ mA} < I_{OUT} < 400 \text{ mA}$	$I_{OUT} + 50 \text{ mA}$
$400 \text{ mA} < I_{OUT} < \text{Max current}$	$I_{OUT} - 50 \text{ mA}$

When the communication current limit is enabled, the amount of current that the load can draw is limited. If the charger in the system does not have a VIN-DPM feature, the output of the receiver will collapse if communication current limit is enabled. In order to disable Communication Current Limit, pull CM\_ILIM pin high.

### 8.3.8 $\overline{\text{PD\_DET}}$ and TMEM

$\overline{\text{PD\_DET}}$  is only available in WPC mode. This is an open-drain pin that goes low based on the voltage of the TMEM pin. When the voltage of TMEM is higher than 1.6 V,  $\overline{\text{PD\_DET}}$  will be low. The voltage on the TMEM pin depends on capturing the energy from the digital ping from the transmitter and storing it on the  $C_5$  capacitor in Figure 10. After the receiver sends an EPT (charge complete), the transmitter shuts down and goes into a low-power mode. However, it will continue to check if the receiver would like to renegotiate a power transfer by periodically performing the digital ping. The energy from the digital ping can be stored on the TMEM pin until the next digital ping refreshes the capacitor. A bleedoff resistor  $R_{\text{MEM}}$  can be chosen in parallel with  $C_5$  that sets the time constant so that the TMEM pin will fall below 1.6 V once the next ping timer expires. The duration between digital pings is indeterminate and depends on each transmitter manufacturer.



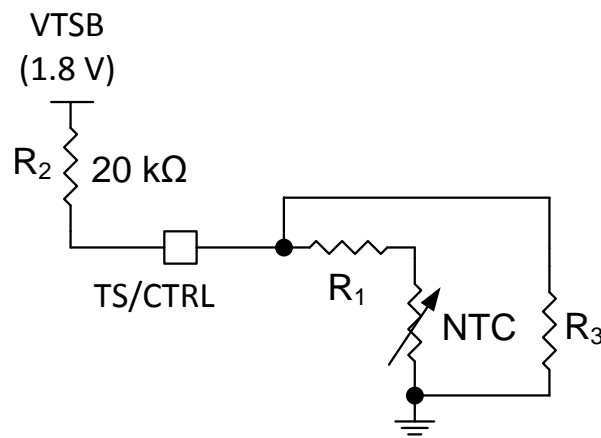
**Figure 10. TMEM Configuration**

Set capacitor on  $C_5 = \text{TMEM}$  to 2.2  $\mu\text{F}$ . Resistor  $R_{\text{MEM}}$  across  $C_5$  can be set by understanding the duration between digital pings ( $t_{\text{ping}}$ ). Set the resistor such that:

$$R_{\text{MEM}} = \frac{t_{\text{ping}}}{C_5} \quad (8)$$

### 8.3.9 TS, Both WPC and PMA

The bq51222 device includes a ratio metric external temperature sense function. The temperature sense function has a low ratio metric threshold which represents a hot condition. TI recommends an external temperature sensor in order to provide safe operating conditions for the receiver product. This pin is best used for monitoring the surface that can be exposed to the end user (for example, place the negative temperature coefficient (NTC) resistor closest to the user touch point on the back cover). A resistor in series or parallel can be inserted to adjust the NTC to match the trip point of the device. The implementation in Figure 11 shows the series-parallel resistor implementation for setting the threshold at which  $V_{\text{TS-HOT}}$  is reached. Once  $V_{\text{TS-HOT}}$  is reached, the device will send an EPT – overtemperature signal for a WPC transmitter or an EOC signal to a transmitter depending on the mode the device is operating in. An Excel tool to assist with defining the correct resistor values is available on the bq51222 web folder under 'Tools & Software'. The Excel file can be found at [www.ti.com/product/bq5122PMA2/toolssoftware](http://www.ti.com/product/bq5122PMA2/toolssoftware).



**Figure 11. NTC Resistor Setup**



Figure 11 shows a parallel resistor setup that can be used to adjust the trip point of  $V_{TS-HOT}$ . After the NTC is chosen and  $R_{NTCHOT}$  at  $V_{TS-HOT}$  is determined from the data sheet of the NTC, Equation 9 can be used to calculate  $R_1$  and  $R_3$ . In many cases depending on the NTC resistor,  $R_1$  or  $R_3$  can be omitted. When calculating  $V_{TS-HOT}$ , omit  $R_1$  by setting it to  $0\ \Omega$ , and omit  $R_3$  by setting it to  $10\ M\Omega$ .

$$V_{TS-HOT} = 1.8\ V \times \frac{\frac{(R_{NTCHOT} + R_1) \times R_3}{(R_{NTCHOT} + R_1) + R_3}}{\frac{(R_{NTCHOT} + R_1) \times R_3}{(R_{NTCHOT} + R_1) + R_3} + R_2} \quad (9)$$

### 8.3.10 I<sup>2</sup>C Communication

#### WPC and PMA Modes

The bq51222 device allows for I<sup>2</sup>C communication with the internal CPU. In case the I<sup>2</sup>C is not used, ground SCL and SDA. See [Register Maps](#) for more information.

### 8.3.11 Input Overvoltage

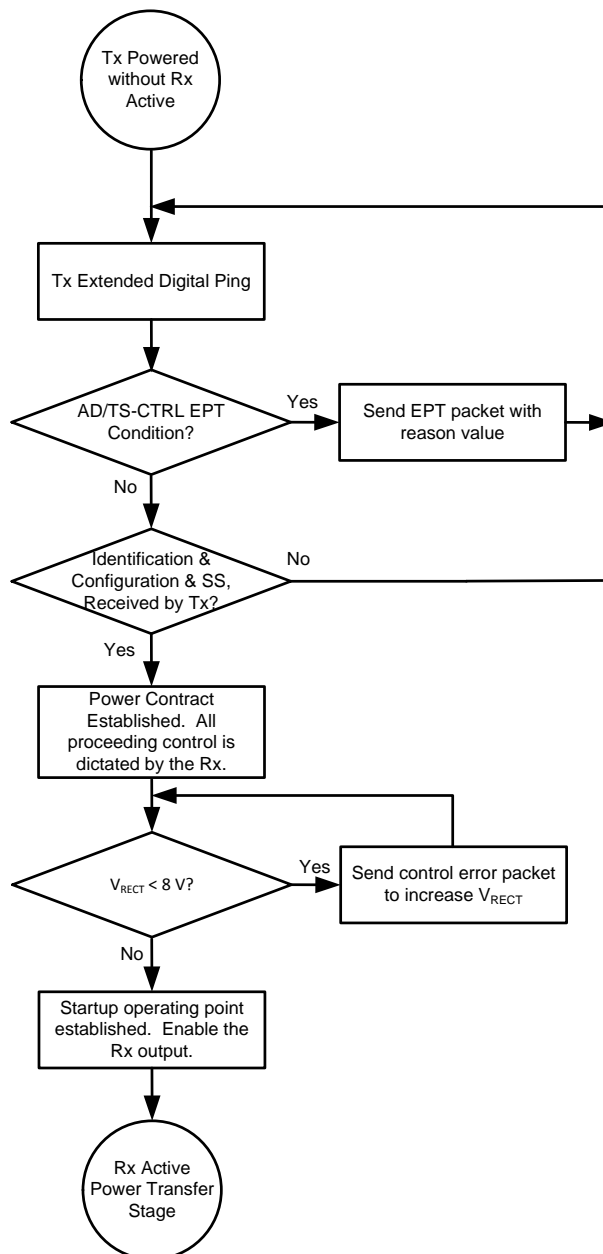
#### WPC and PMA Modes

If the input voltage suddenly increases in potential for some condition (for example a change in position of the equipment on the charging pad), the voltage-control loop inside the bq51222 device becomes active, and prevents the output from going beyond  $V_{OUT(REG)}$ . The receiver then starts sending back error packets every 30 ms until the input voltage comes back to an acceptable level, and then maintains the error communication every 250 ms.

If the input voltage increases in potential beyond  $V_{RECT-OVP}$ , the device switches off the LDO and informs the primary to bring the voltage back to  $V_{RECT(REG)}$ . In addition, a proprietary voltage protection circuit is activated by means of  $C_{CLAMP1}$  and  $C_{CLAMP2}$  that protects the device from voltages beyond the maximum rating of the device.

## 8.4 Device Functional Modes

In WPC mode, at startup operation, the bq51222 device must comply with proper handshaking in order to be granted a power contract from the WPC transmitter. The transmitter initiates the handshake by providing an extended digital ping after analog ping detects an object on the transmitter surface. If a receiver is present on the transmitter surface, the receiver then provides the signal strength, configuration, and identification packets to the transmitter (see volume 1 of the WPC specification for details on each packet). These are the first three packets sent to the transmitter. The only exception is if there is a true shutdown condition on the AD, or TS/CTRL pins where the receiver shuts down the transmitter immediately. See [Table 3](#) for details. After the transmitter has successfully received the signal strength, configuration, and identification packets, the receiver is granted a power contract and is then allowed to control the operating point of the power transfer. With the use of the bq51222 device *Dynamic Rectifier Control* algorithm, the receiver will inform the transmitter to adjust the rectifier voltage above 8 V prior to enabling the output supply. This method enhances the transient performance during system startup. For the startup flow diagram details, see [Figure 12](#).



**Figure 12. Wireless Power Startup Flow Diagram on WPC TX**

### Device Functional Modes (continued)

After the startup procedure has been established, the receiver will enter the active power transfer stage. This is considered the main loop of operation. The *Dynamic Rectifier Control* algorithm determines the rectifier voltage target based on a percentage of the maximum output current level setting (set by  $K_{ILIM}$  and the  $R_{ILIM}$ ). The receiver will send control error packets in order to converge on these targets. As the output current changes, the rectifier voltage target dynamically changes. As a note, the feedback loop of the WPC system is relatively slow, it can take up to 150 ms to converge on a new rectifier voltage target. It should be understood that the instantaneous transient response of the system is open loop and dependent on the receiver coil output impedance at that operating point. The main loop also determines if any conditions in [Table 3](#) are true in order to discontinue power transfer. [Figure 13](#) shows the active power transfer loop.

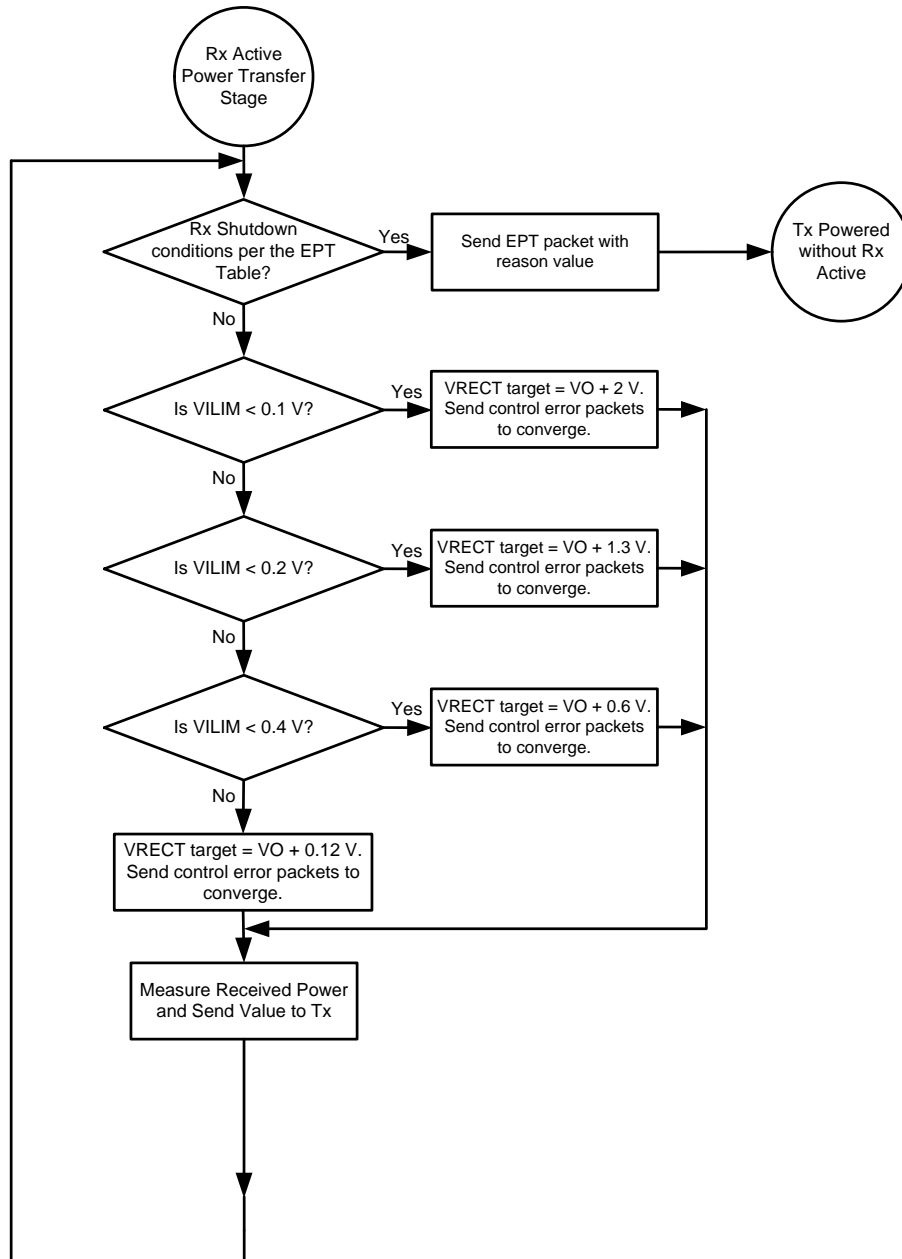
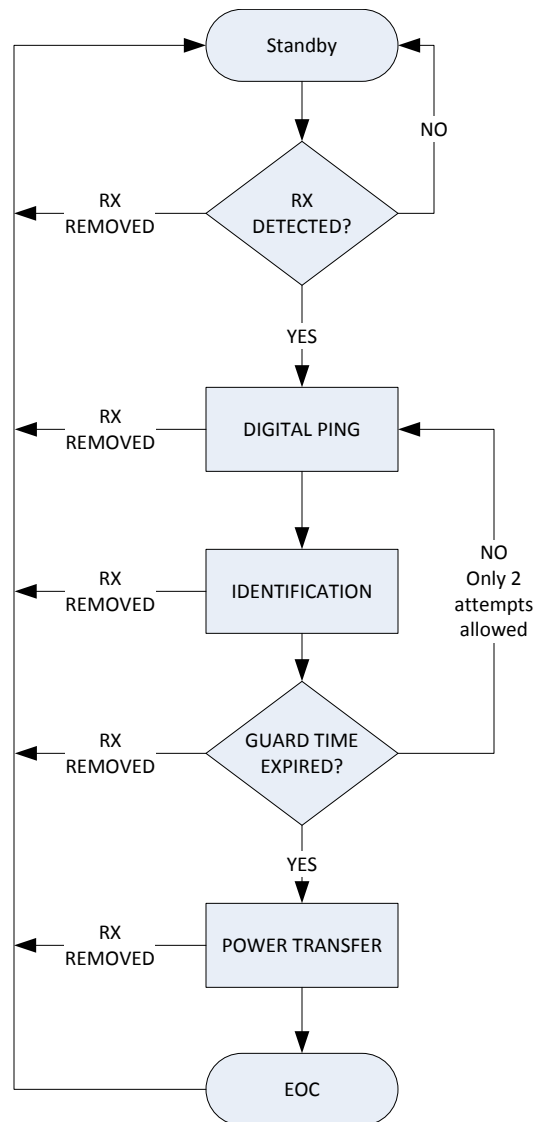


Figure 13. Active Power Transfer Flow Diagram on WPC TX

## Device Functional Modes (continued)

In PMA mode, during startup operation, PMA transmitter generates a digital ping in a predefined structure regarding the frequencies and timing. If the power delivered during the digital ping is sufficient to wake up the bq51222 device, it responds by modulating the power signal according to the PMA communication protocol. If the transmitter receives a valid PMA signal from the receiver, it continues to the identification phase, without removing the power signal. The receiver continues to send PMA DEC or PMA INC signals until target  $V_{RECT}$  is achieved, and after desired  $V_{RECT}$  is achieved, the bq51222 device sends a PMA NoCh signal to indicate that no further change is needed in transmitter frequency. Please note unlike the WPC mode receiver, in PMA mode, the bq51222 device will continue to send the PMA NoCh signal if the target  $V_{RECT}$  is within a defined voltage range. This means that the device will regulate the  $V_{RECT}$  voltage within an acceptable window. This can be seen in [Figure 15](#).



**Figure 14. Active Power Transfer Flow Diagram on PMA TX Type 1**

Optimized rectification voltage is key to maintaining high efficiency on the bq51222. [Figure 15](#) indicates the control and communication protocol between the receiver and the transmitter. The bq51222 sends an increment signal (INC) for increasing the operating frequency of the transmitter to decrease the transferred power if the rectification voltage is above  $V_{REFHI\_H}$ . INC signals will occur until the rectification voltage is below  $V_{REFHI\_L}$ . If the rectification voltage is below  $V_{REFLO\_L}$  then the bq51222 will send a decrease signal (DEC) to the transmitter which will decrease the frequency resulting in increased power delivery.  $V_{REFLO\_H}$  is the hysteresis

### Device Functional Modes (continued)

level for terminating the DEC signal. A no change signal (NoCh) is sent when the rectification voltage is between VREFLO\_H and VREFHI\_L indicating there is no need to increase or decrease the transferred power. Additionally, the Hysteresis zones can be NoCh depending on the direction entered. For example, if the rectification voltage moves through VREFHI\_L to enter Hysteresis, the NoCh command is sent. If the same Hysteresis zone is entered through VREFHI\_H then the INC will continue to be sent until it reaches VREFHI\_L where the NoCh signal will commence. The device will not react to a change in load while the rectification voltage falls within the indicated levels ( $V_{REFHI\_H} > V_{RECT} > V_{REFLO\_L}$ ). When a load change occurs sufficient to move  $V_{RECT}$  outside this range, the appropriate signal (INC or DEC) will be sent.

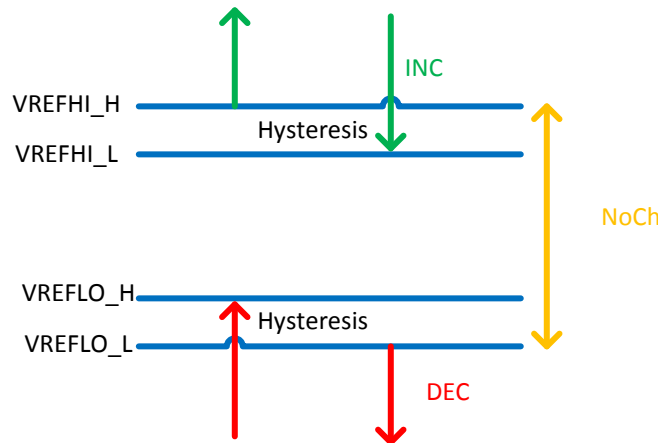


Figure 15. PMA Active Power Control Diagram

## 8.5 Register Maps

Locations 0x01 and 0x02 can be written to any time. Locations 0xE0 to 0xFF are only functional when  $V_{RECT} > V_{UVLO}$ . When  $V_{RECT}$  goes below  $V_{UVLO}$ , locations 0xE0 to 0xFF are reset.

### 8.5.1 Wireless Power Supply Current Register 1 (address = 0x01) [reset = 00000001]

**Figure 16. Wireless Power Supply Current Register Format**

7	6	5	4	3	2	1	0
Reserved	Reserved	Reserved	Reserved	Reserved	$V_{OREG2}$	$V_{OREG1}$	$V_{OREG0}$
R/W	R/W	R/W	R/W	R/W	R/W	R/W	R/W

LEGEND: R/W = Read/Write

**Table 5. Wireless Power Supply Current Register 1 Field Descriptions**

Bit	Field	Type	Reset	Description
B7:B3	Reserved	R/W	00000	Not used
B2	$V_{OREG2}$	R/W	0	450, 500, 550, 600, 650, 700, 750, or 800 mV Changes $V_{O\_REG}$ target
B1	$V_{OREG1}$	R/W	0	
B0	$V_{OREG0}$	R/W	1	

### 8.5.2 Wireless Power Supply Current Register 2 (address = 0x02) [reset = 00000111 ]

**Figure 17. Wireless Power Supply Current Register 2 Format**

7	6	5	4	3	2	1	0
Reserved	Reserved	Reserved	Reserved	Reserved	$I_{OREG2}$	$I_{OREG1}$	$I_{OREG0}$
R/W	R/W	R/W	R/W	R/W	R/W	R/W	R/W

LEGEND: R/W = Read/Write

**Table 6. Wireless Power Supply Current Register 2 Register Field Descriptions**

Bit	Field	Type	Reset	Description
B7:B3	Reserved	R/W	00000	Not used
B2	$I_{OREG2}$	R/W	1	10%, 20%,30%, 40%, 50%, 60%, 90%, and 100% of $I_{LIM}$ current based on configuration 000, 001, ... 111
B1	$I_{OREG1}$	R/W	1	
B0	$I_{OREG0}$	R/W	1	

### 8.5.3 I<sup>2</sup>C Mailbox Register (address = 0xE0) [reset = 10000000 ]

**Figure 18. I<sup>2</sup>C Mailbox Register Format**

7	6	5	4	3	2	1	0
USER_PKT_D ONE	USER_PKT_ERR	FOD Mailer	ALIGN Mailer	FOD Scaler	Reserved	Reserved	
R	R	R/W	R/W	R/W	R/W	R/W	R/W

LEGEND: R/W = Read/Write; R = Read only

**Table 7. I<sup>2</sup>C Mailbox Register Field Descriptions**

Bit	Field	Type	Reset	Description
B7	USER_PKT_DONE	R	1	Set bit to 0 to send proprietary packet with header in 0xE2. CPU checks header to pick relevant payload from 0xF1 to 0xF4. This bit will be set to 1 after the user packet with the header in register 0xE2 is sent.
B6:B5	USER_PKT_ERR	R	00	00 = No error in sending packet 01 = Error: no transmitter present 10 = Illegal header found: packet will not be sent 11 = Error: not defined yet
B4	FOD Mailer	R/W	0	Not used
B3	ALIGN Mailer	R/W	0	Setting this bit to 1 will enable alignment aid mode where the CEP = 0 will be sent until this bit is set to 0 (or CPU reset occurs)
B2	FOD Scaler	R/W	0	Not used, write to 0 if register is written
B1:B0	Reserved	R/W	00	Not used

### 8.5.4 Wireless Power Supply FOD RAM Register (address = 0xE1) [reset = 00000000 ]

**Figure 19. Wireless Power Supply FOD RAM Register Format**

7	6	5	4	3	2	1	0
ESR_ENABLE	OFF_ENABLE	R <sub>OFOD5</sub>	R <sub>OFOD4</sub>	R <sub>OFOD3</sub>	R <sub>SFOD2</sub>	R <sub>SFOD1</sub>	R <sub>SFOD0</sub>
R/W	R/W	R/W	R/W	R/W	R/W	R/W	R/W

LEGEND: R/W = Read/Write

**Table 8. Wireless Power Supply FOD RAM Register Field Descriptions**

Bit	Field	Type	Reset	Description <sup>(1)</sup>
B7	ESR_ENABLE	R/W	0	Enables I <sup>2</sup> C based ESR in received power, Enable = 1, Disable = 0
B6	OFF_ENABLE	R/W	0	Enables I <sup>2</sup> C based offset power, Enable = 1, Disable = 0
B5	R <sub>OFOD5</sub>	R/W	0	000 – 0 mW 001 – +39 mW 010 – +78 mW 011 – +117 mW 100 – +156 mW 101 – +195 mW 110 – +234 mW 111 – +273 mW The value is added to received power message
B4	R <sub>OFOD4</sub>	R/W	0	
B3	R <sub>OFOD3</sub>	R/W	0	
B2	R <sub>SFOD2</sub>	R/W	0	000 – ESR 001 – ESR 010 – ESR x 2 011 – ESR x 3 100 – ESR x 4 101 – ESR 110 – ESR 111 – ESR x 0.5
B1	R <sub>SFOD1</sub>	R/W	0	
B0	R <sub>SFOD0</sub>	R/W	0	
		R/W	0	

(1) A non-zero value will change the I<sup>2</sup>R calculation resistor and offset in the received power calculation by a factor shown in the table.

### 8.5.5 Wireless Power User Header RAM Register (address = 0xE2) [reset = 00000000]

**Figure 20. Wireless Power User Header RAM Register Format**

7	6	5	4	3	2	1	0
HEADER7	HEADER6	HEADER5	HEADER4	HEADER3	HEADER2	HEADER1	HEADER0
R/W	R/W	R/W	R/W	R/W	R/W	R/W	R/W

LEGEND: R/W = Read/Write

**Table 9. Wireless Power User Header RAM Register Field Descriptions**

Bit	Field	Type	Reset	Description <sup>(1)</sup>
B7:B0	HEADER	R/W	00000000	Proprietary packet 8-bit header

(1) Must write a valid header to enable proprietary package. As soon as mailer (0xE0) is written, payload bytes are sent on the next available communication slot as determined by CPU. Once payload is sent, the mailer (USER\_PKT\_DONE) is set to 1.

### 8.5.6 Wireless Power USER $V_{RECT}$ Status RAM Register (address = 0xE3) [reset = 00000000]

This register reads back the  $V_{RECT}$  voltage with LSB = 46 mV.

**Figure 21. Wireless Power USER  $V_{RECT}$  Status RAM Register Format**

7	6	5	4	3	2	1	0
$V_{RECT7}$	$V_{RECT6}$	$V_{RECT5}$	$V_{RECT4}$	$V_{RECT3}$	$V_{RECT2}$	$V_{RECT1}$	$V_{RECT0}$
R	R	R	R	R	R	R	R

LEGEND: R = Read only

**Table 10. Wireless Power USER  $V_{RECT}$  Status RAM Register Field Descriptions**

Bit	Field	Type	Reset	Description
B7	$V_{RECT7}$	R	0	$V_{RECT}$ voltage Range – 0 V to 12 V, LSB = 46 mV
B6	$V_{RECT6}$	R	0	
B5	$V_{RECT5}$	R	0	
B4	$V_{RECT4}$	R	0	
B3	$V_{RECT3}$	R	0	
B2	$V_{RECT2}$	R	0	
B1	$V_{RECT1}$	R	0	
B0	$V_{RECT0}$	R	0	



### 8.5.7 Wireless Power VOUT Status RAM Register (address = 0xE4) [reset = 00000000]

This register reads back the  $V_{OUT}$  voltage with LSB = 46 mV.

**Figure 22. Wireless Power VOUT Status RAM Register Format**

7	6	5	4	3	2	1	0
$V_{OUT7}$	$V_{OUT6}$	$V_{OUT5}$	$V_{OUT4}$	$V_{OUT3}$	$V_{OUT2}$	$V_{OUT1}$	$V_{OUT0}$
R/W	R/W	R/W	R/W	R/W	R/W	R/W	R/W

LEGEND: R/W = Read/Write

**Table 11. Wireless Power VOUT Status RAM Register Field Descriptions**

Bit	Field	Type	Reset	Description
B7	$V_{OUT7}$	R/W	0	$V_{OUT}$ voltage LSB = 46 mV
B6	$V_{OUT6}$	R/W	0	
B5	$V_{OUT5}$	R/W	0	
B4	$V_{OUT4}$	R/W	0	
B3	$V_{OUT3}$	R/W	0	
B2	$V_{OUT2}$	R/W	0	
B1	$V_{OUT1}$	R/W	0	
B0	$V_{OUT0}$	R/W	0	

### 8.5.8 Wireless Power REC PWR Byte Status RAM Register (address = 0xE8) [reset = 00000000]

This register reads back the received power with LSB = 39 mW.

**Figure 23. Wireless Power REC PWR Byte Status RAM Register Format**

7	6	5	4	3	2	1	0
RECPWR7	RECPWR6	RECPWR5	RECPWR4	RECPWR3	RECPWR2	RECPWR1	RECPWR0
R/W	R/W	R/W	R/W	R/W	R/W	R/W	R/W

LEGEND: R/W = Read/Write

**Table 12. Wireless Power REC PWR Byte Status RAM Register Field Descriptions**

Bit	Field	Type	Reset	Description
B7:B0	RECPWR	R/W	00000000	Received Power LSB = 39 mW

### 8.5.9 Wireless Power Mode Indicator Register (address = 0xEF) [reset = 00000000]

This register reads back the MODE (WPC or PMA) based on the Transmitter.

**Figure 24. Wireless Power Mode Indicator Register Format**

7	6	5	4	3	2	1	0
Reserved	ALIGN	Reserved	Reserved	Reserved	Reserved	Reserved	MODE
R/W	R	R/W	R/W	R/W	R/W	R/W	R

LEGEND: R/W = Read/Write; R = Read only

**Table 13. Wireless Power Mode Indicator Register Field Descriptions**

Bit	Field	Type	Reset	Description
B7	Reserved	Read / Write	0	Not Used
B6	ALIGN Status	Read	0	Alignment mode = 1, Normal operation = 0 (Status bit)
B5:B1	Reserved	Read / Write	00000	Not Used
B0	Mode	Read	0	PMA = 1, WPC = 0 (Status bit)

**8.5.10 Wireless Power Prop Packet Payload RAM Byte 0 Register (address = 0xF1) [reset = 00000000]**
**Figure 25. Wireless Power Prop Packet Payload RAM Byte 0 Register Format**

7	6	5	4	3	2	1	0
PL0_7	PL0_6	PL0_5	PL0_4	PL0_3	PL0_2	PL0_1	PL0_0
R/W	R/W	R/W	R/W	R/W	R/W	R/W	R/W

LEGEND: R/W = Read/Write

**Table 14. Wireless Power Prop Packet Payload RAM Byte 0 Register Field Descriptions**

Bit	Field	Type	Reset	Description
B7:B0	PL0	R/W	00000000	Proprietary Packet Byte 0 content

**8.5.11 Wireless Power Prop Packet Payload RAM Byte 1 Register (address = 0xF2) [reset = 00000000]**
**Figure 26. Wireless Power Prop Packet Payload RAM Byte 1**

7	6	5	4	3	2	1	0
PL1_7	PL1_6	PL1_5	PL1_4	PL1_3	PL1_2	PL1_1	PL1_0
R/W	R/W	R/W	R/W	R/W	R/W	R/W	R/W

LEGEND: R/W = Read/Write

**Table 15. Wireless Power Prop Packet Payload RAM Byte 1 Field Descriptions**

Bit	Field	Type	Reset	Description
B7:B0	PL1	R/W	00000000	Proprietary Packet Byte 1 content

**8.5.12 Wireless Power Prop Packet Payload RAM Byte 2 Register (address = 0xF3) [reset = 00000000]**
**Figure 27. Wireless Power Prop Packet Payload RAM Byte 2 Register Format**

7	6	5	4	3	2	1	0
PL2_7	PL2_6	PL2_5	PL2_4	PL2_3	PL2_2	PL2_1	PL2_0
R/W	R/W	R/W	R/W	R/W	R/W	R/W	R/W

LEGEND: R/W = Read/Write

**Table 16. Wireless Power Prop Packet Payload RAM Byte 2 Register Field Descriptions**

Bit	Field	Type	Reset	Description
B7:B0	PL2	R/W	00000000	Proprietary Packet Byte 2 content

**8.5.13 Wireless Power Prop Packet Payload RAM Byte 3 Register (address = 0xF4) [reset = 00000000]**
**Figure 28. Wireless Power Prop Packet Payload RAM Byte 3 Register Format**

7	6	5	4	3	2	1	0
PL3_7	PL3_6	PL3_5	PL3_4	PL3_3	PL3_2	PL3_1	PL3_0
R/W	R/W	R/W	R/W	R/W	R/W	R/W	R/W

LEGEND: R/W = Read/Write

**Table 17. Wireless Power Prop Packet Payload RAM Byte 3 Register Field Descriptions**

Bit	Field	Type	Reset	Description
B7:B0	PL3	R/W	00000000	Proprietary Packet Byte 3 content

**8.5.14 RXID Readback Register (address = 0xF5 - 0xFA) [reset = see Table 18 note]**

Registers 0xF5 to 0xFA store the RXID that can be read back when  $V_{RECT} > V_{UVLO}$ .

**Figure 29. RXID Readback Register Format**

7	6	5	4	3	2	1	0
Reserved	Reserved	Reserved	Reserved	Reserved	Reserved	Reserved	Reserved
R	R	R	R	R	R	R	R

LEGEND: R = Read only

**Table 18. RXID Readback Register Field Descriptions**

Bit	Field	Type	Reset <sup>(1)</sup>	Description
B7:B0	Reserved	R		RXID

(1) Reset value is programmed at TI factory as a unique ID for each device.

## 9 Application and Implementation

---

### NOTE

Information in the following applications sections is not part of the TI component specification, and TI does not warrant its accuracy or completeness. TI's customers are responsible for determining suitability of components for their purposes. Customers should validate and test their design implementation to confirm system functionality.

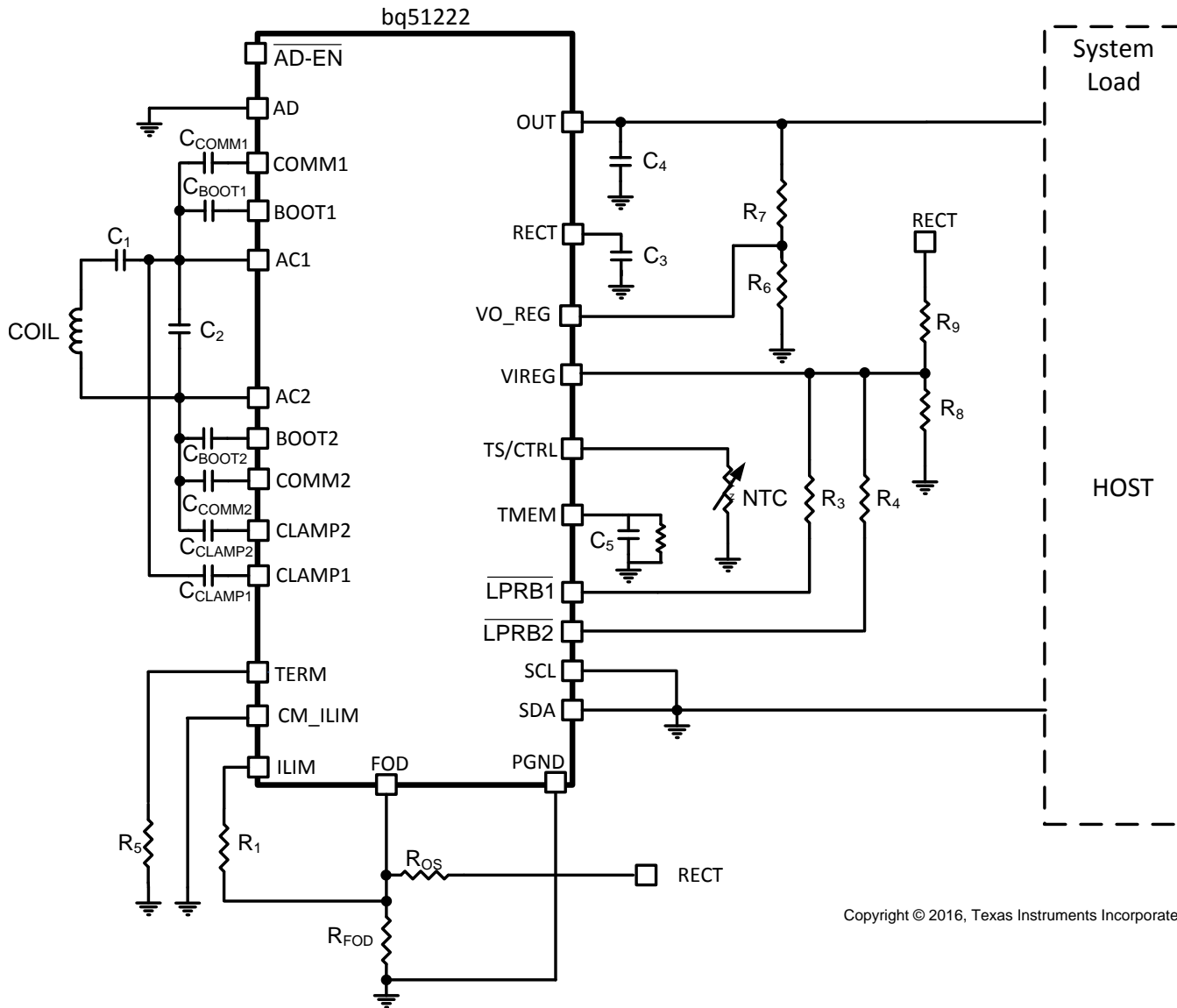
---

### 9.1 Application Information

The bq51222 device is a dual mode device which complies with both WPC v1.2 and PMA standards. This allows a system designer to design a system that complies with both wireless power standards. There are several tools available for the design of the system. These tools may be obtained by checking the product page at [www.ti.com/product/bq51222](http://www.ti.com/product/bq51222). The following sections detail how to design a dual mode RX system.

## 9.2 Typical Applications

### 9.2.1 Dual Mode Design (WPC and PMA Compliant) Power Supply 5-V Output with 1-A Maximum Current



Copyright © 2016, Texas Instruments Incorporated

Figure 30. Dual Mode Schematic using bq51222

## Typical Applications (continued)

### 9.2.1.1 Design Requirements

**Table 19. Design Parameters**

DESIGN PARAMETER	EXAMPLE VALUE
$V_{OUT}$	5 V
$I_{OUT}$ MAXIMUM	1 A
MODE	WPC and PMA

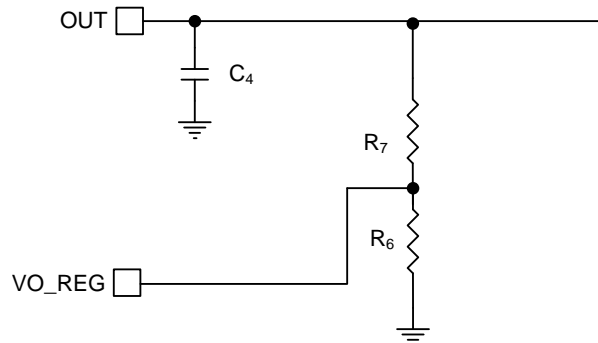
### 9.2.1.2 Detailed Design Procedure

To start the design procedure, start by determining the following.

- Mode of operation – in this case dual mode (WPC and PMA)
- Output voltage
- Maximum output current

#### 9.2.1.2.1 Output Voltage Set Point

The output voltage of the bq51222 device can be set by adjusting a feedback resistor divider network. The resistor divider network is used to set the voltage gain at the VO\_REG pin. The device is intended to operate where the voltage at the VO\_REG pin is set to 0.5 V. This value is the default setting and can be changed through I<sup>2</sup>C. In Figure 31, R<sub>6</sub> and R<sub>7</sub> are the feedback network for the output voltage sense.


**Figure 31. Voltage Gain for Feedback**

$$K_{VO} = \frac{0.5 \text{ V}}{V_{OUT}} \quad (10)$$

$$R_6 = \frac{K_{VO} \times R_7}{1 - K_{VO}} \quad (11)$$

Choose R<sub>7</sub> to be a standard value. In this case, care should be taken to choose R<sub>6</sub> and R<sub>7</sub> to be fairly large values so as to not dissipate excessive amount of power in the resistors and thereby lower efficiency.

K<sub>VO</sub> is set to be 0.5 / 5 = 0.1, choose R<sub>7</sub> to be 102 kΩ, and thus R<sub>6</sub> to be 11.3 kΩ.

After R<sub>6</sub> and R<sub>7</sub> are chosen, the same values should be used on R<sub>8</sub> and R<sub>9</sub>. This allows the device to regulate the rectifier in the PMA mode to accurately track the output voltage when the output voltage is changed through I<sup>2</sup>C.

#### 9.2.1.2.2 Output and Rectifier Capacitors

Set C<sub>4</sub> between 1 μF and 4.7 μF. This example uses 1 μF.

Set C<sub>3</sub> between 4.7 μF and 22 μF. This example uses 20 μF.

### 9.2.1.2.2.1 TMEM

Set  $C_5$  to 2.2  $\mu\text{F}$ . In order to determine the bleed off resistor, the WPC transmitters for which the  $\overline{\text{PD\_DET}}$  is being set for needs to be determined. After the ping timing (time between two consecutive digital pings after EPT charge complete is sent) is determined, the bleedoff resistor can be determined. This example uses TI transmitter EVMs as the use case. In this case the time between pings is 5 s. In order to set the time constant using Equation 8, it is set to 5.6  $\text{M}\Omega$ .

### 9.2.1.2.3 Maximum Output Current Set Point

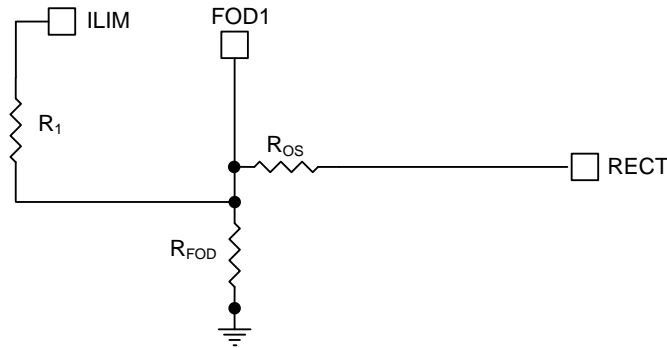


Figure 32. Current Limit Setting for bq51222

The bq51222 device includes a means of providing hardware overcurrent protection by means of an analog current regulation loop. The hardware current limit provides a level of safety by clamping the maximum allowable output current (for example, a current compliance). The  $R_{\text{ILIM}}$  resistor size also sets the thresholds for the dynamic rectifier levels and thus providing efficiency tuning per each application's maximum system current. The calculation for the total  $R_{\text{ILIM}}$  resistance is as follows:

$$R_{\text{ILIM}} = \frac{K_{\text{ILIM}}}{I_{\text{ILIM}}} \quad (12)$$

$$R_1 = R_{\text{ILIM}} - R_{\text{FOD}} \quad (13)$$

The  $R_{\text{ILIM}}$  will allow for the ILIM pin to reach 1.2 V at an output current equal to  $I_{\text{ILIM}}$ . When choosing  $R_{\text{ILIM}}$ , two options are possible.

If the application requires an output current equal to or greater than external ILIM that the circuit is designed for (input current limit on the charger where the RX is delivering power to is higher than the external ILIM), ensure that the downstream charger is capable of regulating the voltage of the input into which the RX device output is tied to by lowering the amount of current being drawn. This will ensure that the RX output does not collapse.

Such behavior is referred to as VIN-DPM in TI chargers. Unless such behavior is enabled on the charger, the charger will pull the output of the RX device to ground when the RX device enters current regulation.

If the applications are designed to extract less than the ILIM (1-A maximum), typical designs should leave a design margin of at least 20% so that the voltage at ILIM pin reaches 1.2 V when 20% more than maximum current of the system is drawn from the output of the RX. Such a design would have input current limit on the charger lower than the external ILIM of the RX device.

In both cases however, the charger must be capable of regulating the current drawn from the device to allow the output voltage to stay at a reasonable value. This same behavior is also necessary during the WPC v1.2 Communication. See [Communication Current Limit](#) for more details. The following calculations show how such a design is achieved:

$$R_{\text{ILIM}} = \frac{K_{\text{ILIM}}}{1.2 \times I_{\text{ILIM}}} \quad (14)$$

$$R_1 = R_{\text{ILIM}} - R_{\text{FOD}} \quad (15)$$

When referring to the application diagram shown in Figure 32,  $R_{\text{ILIM}}$  is the sum of the  $R_1$  and  $R_{\text{FOD}}$  resistance (that is, the total resistance from the ILIM pin to GND).  $R_{\text{FOD}}$  is chosen according to the FOD application note that can be obtained by contacting your TI representative. This is used to allow the RX implementation to comply with WPC v1.2 requirements related to received power accuracy.

Also note that in many applications, the resistor  $R_{OS}$  is needed in order to comply with WPC v1.2 requirements. In such a case, the offset on the FOD pin from the voltage on  $R_{FOD}$  can cause a shift in the calculation that can reduce the expected current limit. Therefore, it is always a good idea to check the output current limit after FOD calibration is performed according to the FOD section shown below. Unfortunately, because the RECT voltage is not deterministic, and depends on transmitter operation to a certain degree, it is not possible to determine  $R_1$  with  $R_{OS}$  present in a deterministic manner.

In this example, set maximum current for the example to be 1000 mA. To set  $I_{ILIM} = 1.2$  A to allow for the 20% margin.

$$R_{ILIM} = \frac{840}{1.2} = 700 \Omega \quad (16)$$

#### 9.2.1.2.4 TERM Resistor

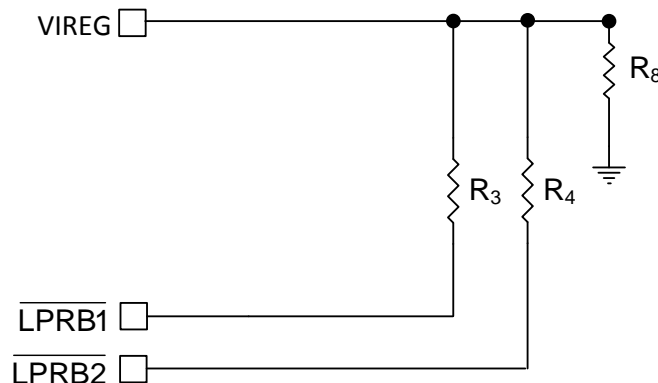
The TERM resistor is used to set the termination threshold on the RX. The device will send an EPT Charge Complete, or EOC message to the transmitter and thus allow for the system to go into a low standby mode. This is also mandated through PMA specification.

By picking a resistor to ground from the TERM pin the system designer can set the termination threshold. The device will send the EPT/EOC message, when the voltage on the ILIM pin goes below the voltage on the TERM pin. The designer can therefore set a resistor on the TERM pin that will determine the threshold.

$$R_5 = \frac{V_{ILIM\_TERM}}{50 \times 10^{-6}} \quad (17)$$

Typically, one can use  $R_{ILIM}$  to set  $R_5$  resistor such that at the desired current, on OUT pin,  $V_{ILIM\_TERM}$  can be reached. However, this can be made indeterministic because of the presence of the  $R_{OS}$  resistor that is used to comply with WPC v1.2 FOD requirements. Therefore, the system designer is suggested to measure the voltage on the ILIM pin at the output current where he would like to set the termination. This voltage on the ILIM pin is termed as  $V_{ILIM\_TERM}$ . In the design example, to set 50 mA, measure  $V_{ILIM\_TERM}$ . After this is done, set the resistor  $R_5$  using the equation [Equation 17](#).

#### 9.2.1.2.5 Setting $\overline{LPRB1}$ and $\overline{LPRB2}$ Resistors



**Figure 33. Setting Low Power Rectifier Boost**

$\overline{LPRB1}$  and  $\overline{LPRB2}$  are multifunction pins. Depending on whether the termination resistor is used or not, the LPRB pins will change function. This allows the designer to optimize the PMA design for efficiency or transient performance.

**Table 20. LPRB Setup for Different Applications**

IMPLEMENTATION	TERM RESISTOR	BALL NUMBER F5	BALL NUMBER G6
Backcover	Populated	$\overline{LPRB1}$	$\overline{LPRB2}$
Embedded	Not populated	$\overline{WPG}$	$\overline{PD\_DET}$



For more information on how to set the TERM resistor, see [TERM Resistor](#).

The  $\overline{\text{LPRBx}}$  boosts the rectifier voltage to a higher voltage, and thus it sets the transmitter in PMA mode to operate in frequency or load line that can sustain load step which is part of the PMA certification process.  $\overline{\text{LPRB1}}$  is used to boost the rectifier voltage at low power (output current below about 95 mA).  $\overline{\text{LPRB2}}$  is used to boost the rectifier voltage when output current is below about 310 mA). Both pins are connected to VIREG through resistors,  $R_3$  and  $R_4$  as shown in [Setting  \$\overline{\text{LPRB1}}\$  and  \$\overline{\text{LPRB2}}\$  Resistors](#). These two values depend on the coil and the output voltage choice. Also, the allowable voltage drop also defined by the board manufacturer can allow you to set the voltage in these modes to optimize the efficiency and transient response. To design  $R_3$  and  $R_4$ , set a window of  $V_{\text{RECT}}$  to boost the operating frequency of the TX a 0-mA load and 100 mA

Good starting points are: 7.3 to 7.8 V for 0 to 100 mA and 6.7 to 7.3 V for 100 to 400 mA

Now, find the values of  $R_3$  and  $R_4$  that can provide the chosen window. The lower and upper reference of VIREG is 0.4906 and 0.5318 V

Calculate  $V_{\text{RECT}}$  as follows using the TI tool provided in the product folder under the "Tools & software" tab.

To be changed as needed			
R_LPRB1 (K-Ohm)	102	} →	Connected to LPRB1/WPG
R_LPRB2 (K-Ohms)	27		Connected to LPRB2/PD_DET
R7 and R9 (K-Ohms)	102		Ex. R1/R2 as close as possible to 9 for 5V regulation
R6 and R8 (K-Ohms)	11.3		Vout 5.013274336
R8//RLPRB1//LPRB2	7.388988		LPRB1 =R3
R8//RLPRB2	7.966057		LPRB2=R4
Vrect <95mA	7.872941	} ←	Rectifier Voltage for load less than 95mA
Vrect <95mA	7.263003		
Vrect <350mA	7.341141	} ←	Rectifier Voltage for load less than 350mA
Vrect <350mA	6.772403		

Figure 34. LPRB Resistor Calculations

#### 9.2.1.2.6 I<sup>2</sup>C

The I<sup>2</sup>C lines are used to communicate with the device. In order to enable the I<sup>2</sup>C, they can be pulled up to an internal host bus. When not in use as in [Figure 55](#), tie them to GND. The device address is 0x6C.

#### 9.2.1.2.7 Communication Current Limit

Communication current limit allows the device to communicate with the transmitter in an error free manner by decoupling the coil from load transients on the OUT pin during WPC communication. In some cases this communication current limit feature is not desirable. In this design, the user enables the communication current limit. This is done by tying the CM\_ILIM pin to GND. In the case that this is not needed, the CM\_ILIM pin can be tied to OUT pin to disable the communication current limit. In this case, take care that the voltage on the CM\_ILIM pin does not exceed the maximum rating of the pin.

#### 9.2.1.2.8 Receiver Coil

The receiver coil design is the most open and interesting part of the system design. The choice of the receiver inductance, shape, and materials all intimately influence the parameters themselves in an intertwined manner. This design can be complicated and involves optimizing many different aspects; refer to the user's guide for the EVM (SLUUAX6).

The typical choice of the inductance of the receiver coil for a dual mode 5-V solution is between 6 to 8  $\mu\text{H}$ .

#### 9.2.1.2.9 Series and Parallel Resonant Capacitors

Resonant capacitors  $C_1$  and  $C_2$  are set according to WPC specification. Although this is a dual mode solution, the PMA does not specify an exact resonance frequency for the resonant capacitors and in fact does not specify that resonant capacitors are indeed needed.

The equations for calculating the values of the resonant capacitors are shown:

$$C_1 = \left[ (f_S \times 2\pi)^2 \times L'_S \right]^{-1}$$

$$C_2 = \left[ (f_D \times 2\pi)^2 \times L_S - \frac{1}{C_1} \right]^{-1} \quad (18)$$

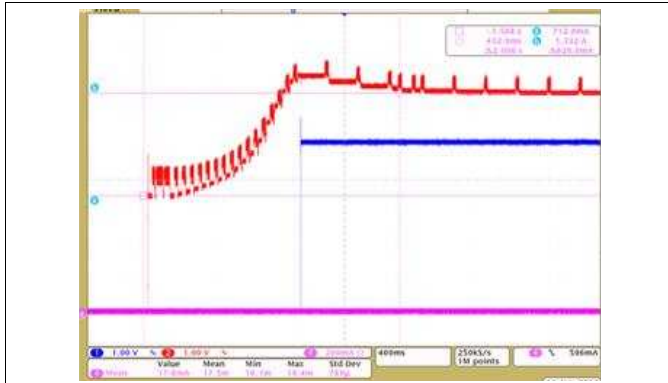
#### 9.2.1.2.10 Communication, Boot and Clamp Capacitors

Set  $C_{\text{COMMx}}$  to a value ranging from  $C_1 / 8$  to  $C_1 / 3$ . The higher the value of the communication capacitors, the easier it is to comply with PMA specification. However, higher capacitors do lower the overall efficiency of the system. Make sure these are X7R ceramic material and have a minimum voltage rating of 25 V.

Set  $C_{\text{BOOTx}}$  to be 15 nF. Make sure these are X7R ceramic material and have a minimum voltage rating of 25 V.

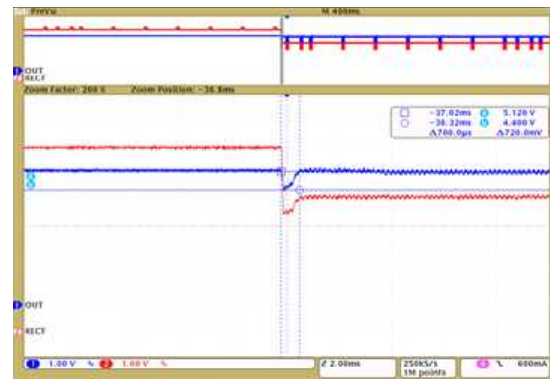
Set  $C_{\text{CLAMPx}}$  to be 470 nF. Make sure these are X7R ceramic material and have a minimum voltage rating of 25 V.

9.2.1.3 Application Curves



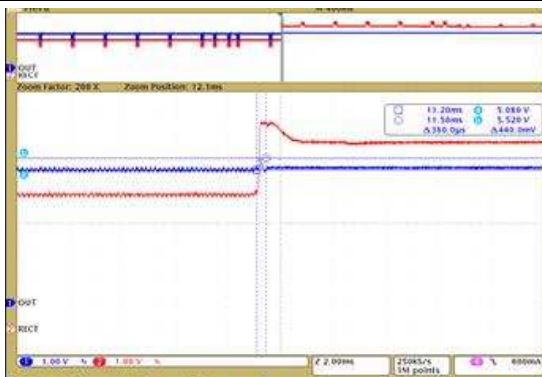
Ch1:  $V_{OUT}$ , 1 V      Ch3: unused      400 ms/Div  
Ch2:  $V_{RECT}$ , 1 V      Ch4:  $I_{OUT}$ , 200 mA

Figure 35. bq51222 No Load Start-up on a WPC TX



Ch1:  $V_{OUT}$ , 1 V      Ch3: unused      2 ms/Div  
Ch2:  $V_{RECT}$ , 1 V      Ch4:  $I_{OUT}$ , 200 mA

Figure 36. 0-mA to 1000-mA Step on a WPC TX



Ch1:  $V_{OUT}$ , 1 V      Ch3: unused      2 ms/Div  
Ch2:  $V_{RECT}$ , 1 V      Ch4: unused

Figure 37. 1000-mA to 0-mA Load Dump on a WPC TX

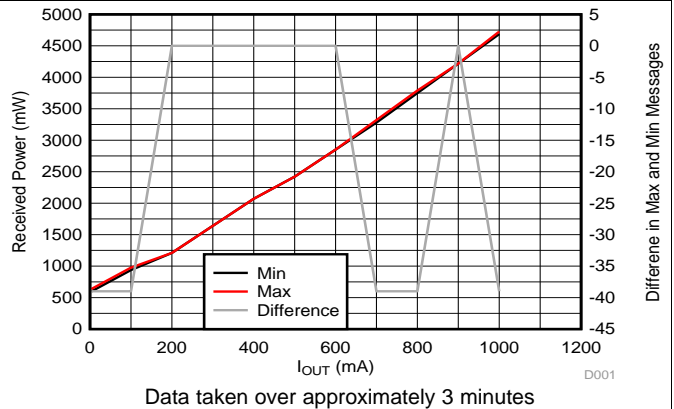


Figure 38. Received Power Variation (mW) vs  $I_{OUT}$  (mA) on a WPC TX



Ch1: TS, 1 V      Ch3: unused      400 ms/Div  
Ch2: unused      Ch4: unused

Figure 39. TS Voltage Bias without TS Resistor

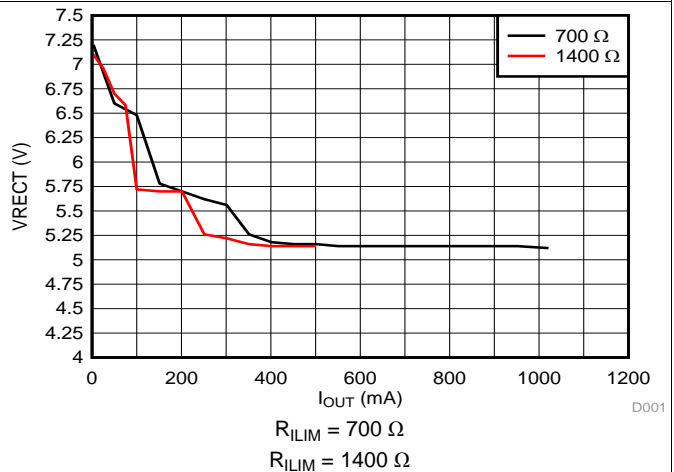


Figure 40. Rectifier Regulation on a WPC TX

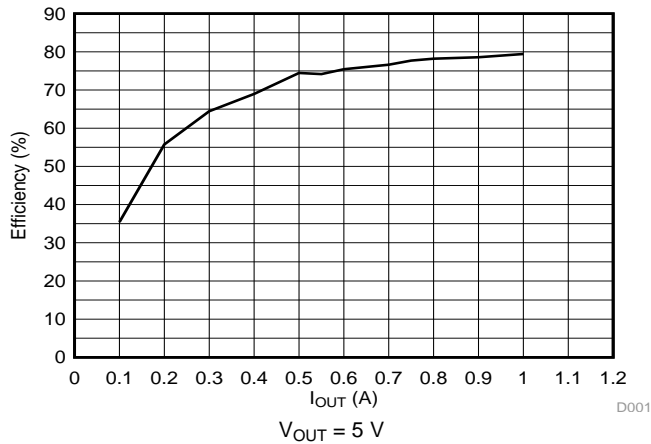


Figure 41. bq51222 WPC Efficiency on a WPC TX

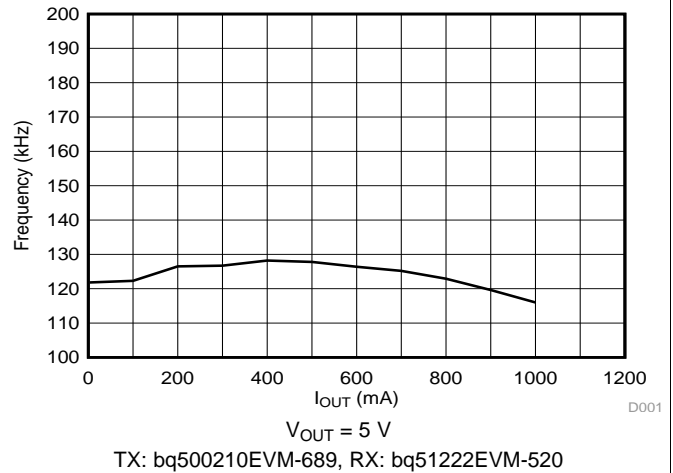


Figure 42. Frequency Range on a WPC TX

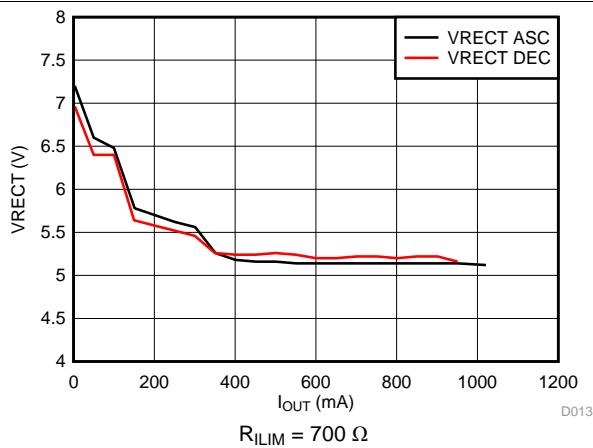


Figure 43. Dynamic Regulation on a WPC TX

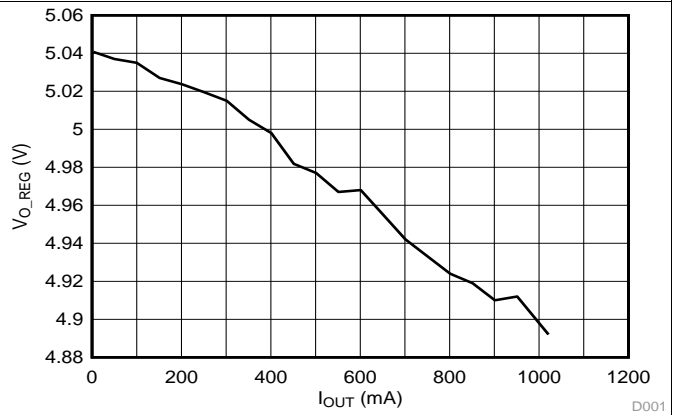


Figure 44. Output Regulation on a WPC TX

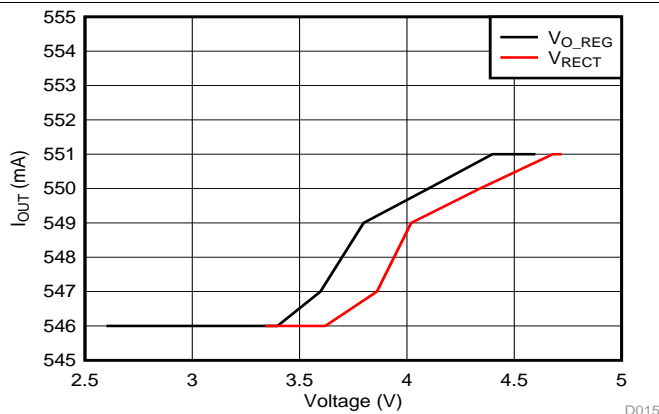


Figure 45. RECT Foldback in Current Limit on a WPC TX

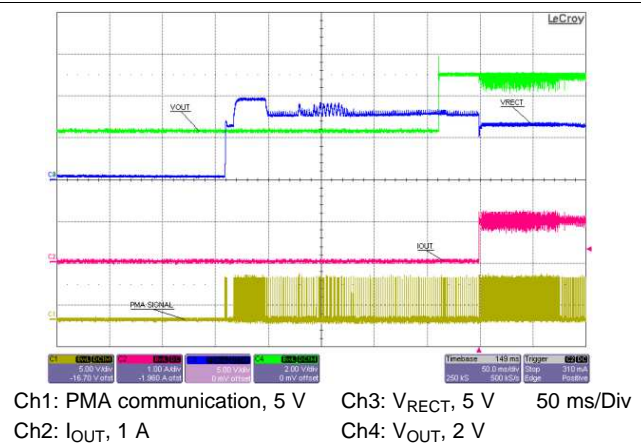
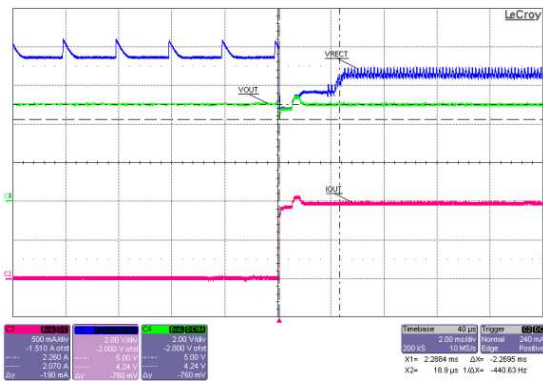
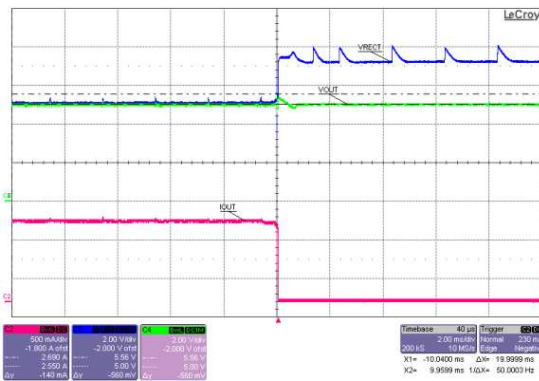


Figure 46. Startup on a PMA TX



Ch1: unused Ch3:  $V_{RECT}$ , 2 V 2 ms/Div  
Ch2:  $I_{OUT}$ , 500 mA Ch4:  $V_{OUT}$ , 2 V

Figure 47. Load Step from 0 mA to 1000 mA on PMA TX



Ch1: unused Ch3:  $V_{RECT}$ , 2 V 2 ms/Div  
Ch2:  $I_{OUT}$ , 500 mA Ch4:  $V_{OUT}$ , 2 V

Figure 48. Load Dump from 1000 mA to 0 mA on PMA TX

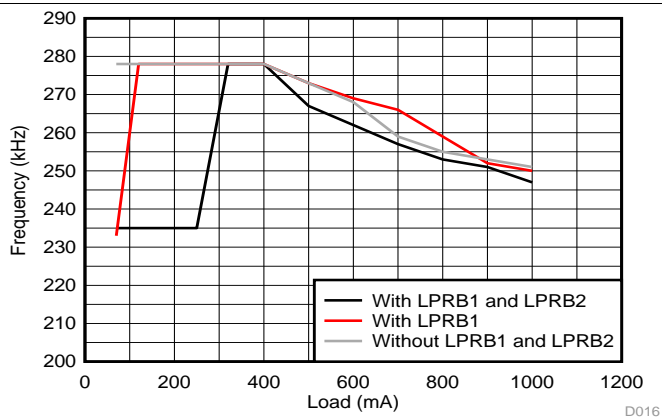


Figure 49. Frequency of Operation on a PMA TX

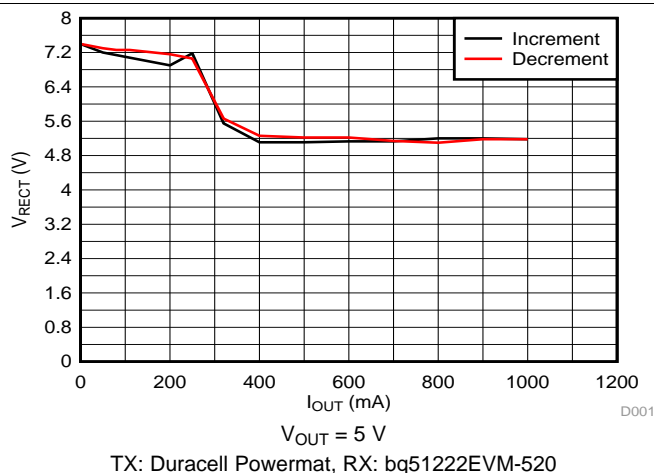
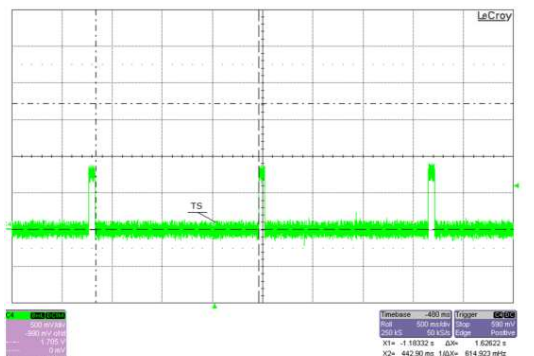


Figure 50.  $V_{RECT}$  on a PMA TX



Ch1: unused Ch3: unused 500 ms/Div  
Ch2: unused Ch4: TS, 500 mV

Figure 51. TS Measurement on a PMA TX

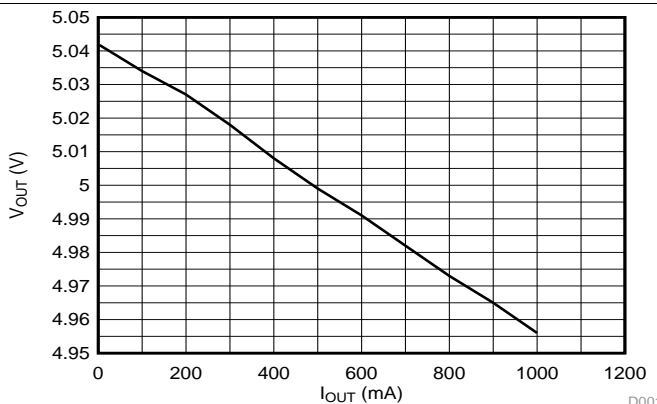
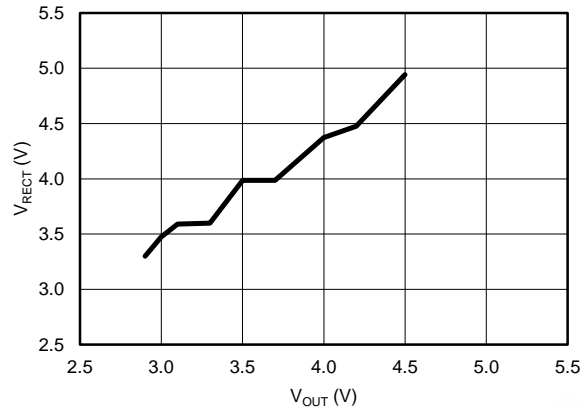


Figure 52. Output Voltage Regulation on a PMA TX

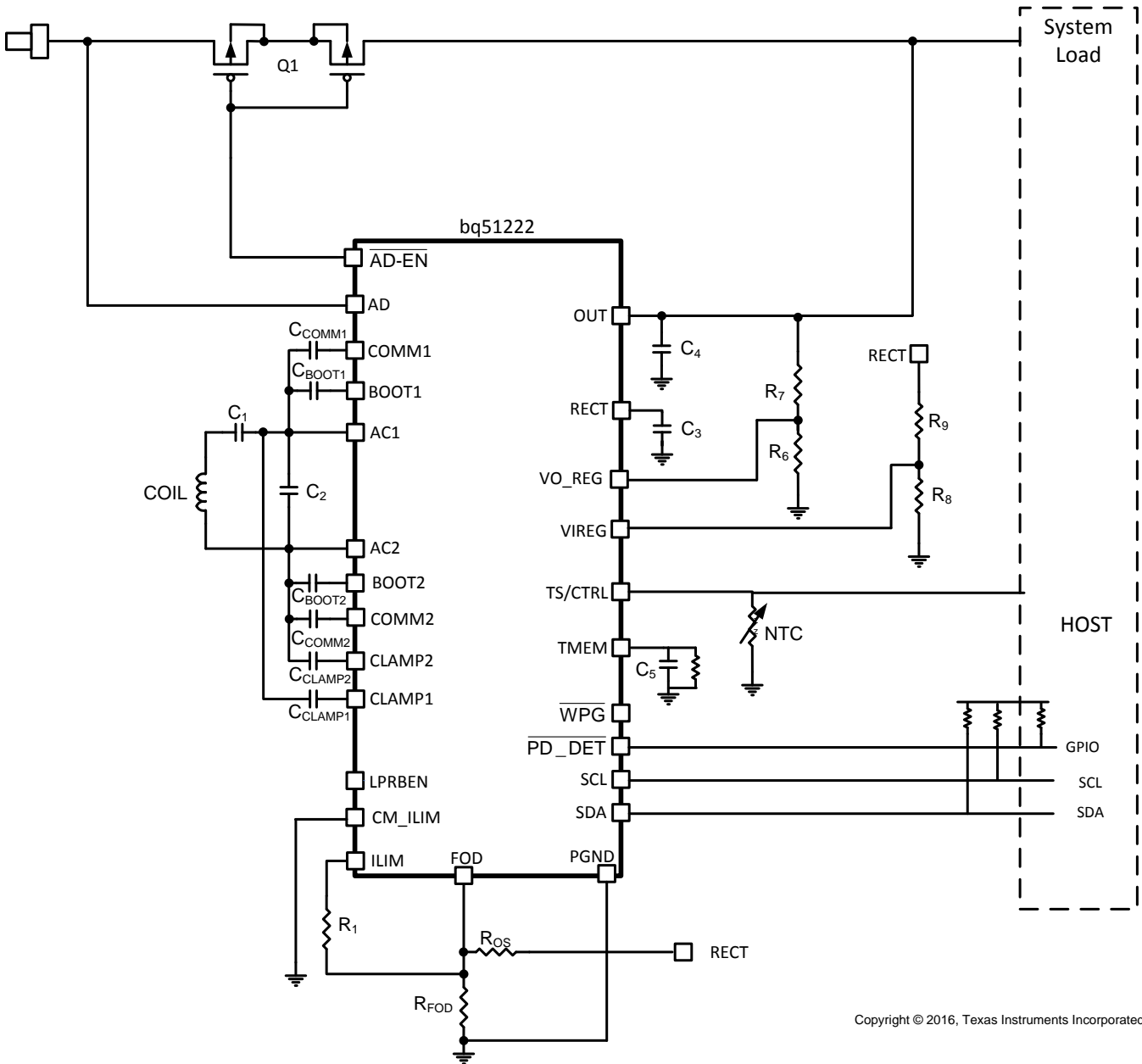


PMA mode, operating in current limit  
 $I_{LIM} = 1\text{ A}$

**Figure 53.  $V_{RECT}$  Tracks  $V_{OUT}$**

### 9.2.2 Embedded in System Board

When the bq51222 device is implemented as an embedded device on the system board, LPRBEN (TERM) pin is floated and WPG and PD\_DET are set to their function. When LPRBEN has a resistor to ground to enable TERM, PD\_DET becomes LPRB1 and WPG becomes LPRB2. This second configuration with TERM enabled is preferred for a back cover implementation. A back cover implementation is one where the receiver device and receiver coil are contained in the back cover of the mobile phone where the receiver is being implemented. With an embedded implementation (one where only the coil is in the mobile device back cover and the receiver device is on the main motherboard for the mobile phone and is controlled by the host controller device in the phone), the expectation is that the host controller (PMIC or Charger) will use the TS/CTRL pin to establish termination and associated EPT or EOC.



Copyright © 2016, Texas Instruments Incorporated

Figure 54. bq51222 Embedded in a System Board

Refer to [Dual Mode Design \(WPC and PMA Compliant\) Power Supply 5-V Output with 1-A Maximum Current](#) for all design details.

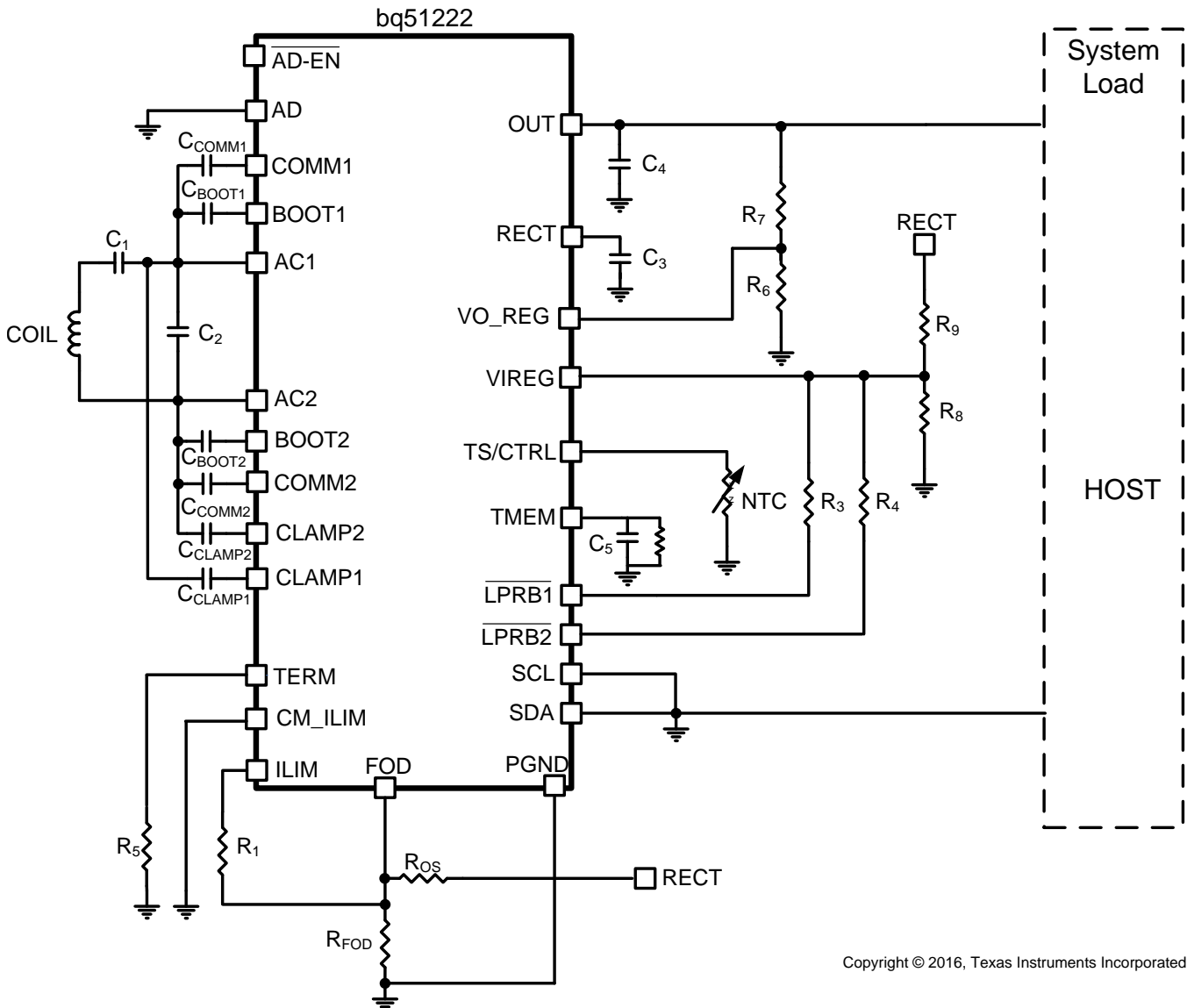
**bq51222**

ZHCSFC3A – JULY 2016 – REVISED AUGUST 2016

www.ti.com.cn

**9.2.3 bq51222 Implemented in Back Cover**

When the bq51222 device is implemented as a back cover solution, set TERM resistor to enable PMA term and LPRB1 and LPRB2 functions are automatically enabled. In this implementation, the bq51222 device can autonomously determine if EOC can be established because the termination current has been reached. In this configuration,  $\overline{\text{PD\_DET}}$  becomes LPRB1 and  $\overline{\text{WPG}}$  becomes LPRB2. This allows the RECT voltage to be controlled at different levels so that transient performance from light load to maximum current can be optimized.



Copyright © 2016, Texas Instruments Incorporated

**Figure 55. bq51222 Implemented in a Back Cover**

Refer to [Dual Mode Design \(WPC and PMA Compliant\) Power Supply 5-V Output with 1-A Maximum Current](#) for all design details.



## 10 Power Supply Recommendations

These devices are intended to be operated within the ranges shown in the *Recommended Operating Conditions*. Because the system involves a loosely coupled inductor set up, the voltages produced on the receiver are a function of the inductances and the available magnetic field. Ensure that the design in the worst case keeps the voltages within the *Absolute Maximum Ratings*.

## 11 Layout

### 11.1 Layout Guidelines

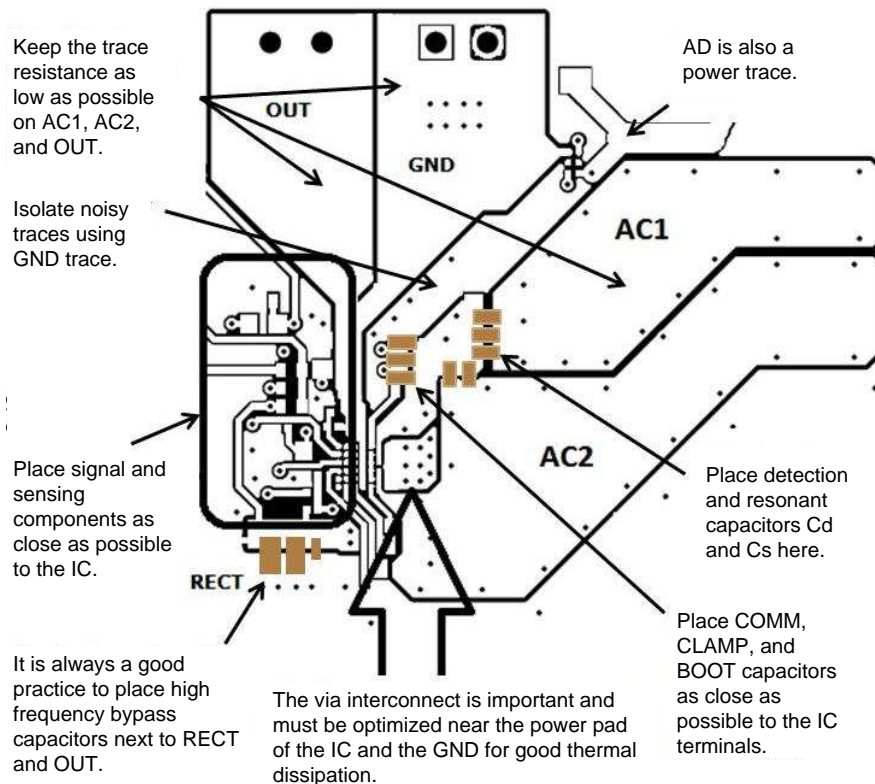
- Keep the trace resistance as low as possible on AC1, AC2, and OUT.
- Detection and resonant capacitors need to be as close to the device as possible.
- COMM, CLAMP, and BOOT capacitors need to be placed as close to the device as possible.
- Via interconnect on GND net is critical for appropriate signal integrity and proper thermal performance.
- High frequency bypass capacitors need to be placed close to RECT and OUT pins.
- ILIM and FOD resistors are important signal paths and the loops in those paths to GND must be minimized.

Signal and sensing traces are the most sensitive to noise; the sensing signal amplitudes are usually measured in mV, which is comparable to the noise amplitude. Make sure that these traces are not being interfered by the noisy and power traces. AC1, AC2, BOOT1, BOOT2, COMM1, and COMM2 are the main source of noise in the board. These traces should be shielded from other components in the board. It is usually preferred to have a ground copper area placed underneath these traces to provide additional shielding. Also, make sure they do not interfere with the signal and sensing traces. The PCB should have a ground plane (return) connected directly to the return of all components through vias (two vias per capacitor for power-stage capacitors, one via per capacitor for small-signal components).

For a 1-A fast charge current application, the current rating for each net is as follows:

- AC1 = AC2 = 1.2 A
- OUT = 1 A
- RECT = 100 mA (RMS)
- COMMx = 300 mA
- CLAMPx = 500 mA
- All others can be rated for 10 mA or less

### 11.2 Layout Example



## 12 器件和文档支持

### 12.1 器件支持

#### 12.1.1 Third-Party Products Disclaimer

TI'S PUBLICATION OF INFORMATION REGARDING THIRD-PARTY PRODUCTS OR SERVICES DOES NOT CONSTITUTE AN ENDORSEMENT REGARDING THE SUITABILITY OF SUCH PRODUCTS OR SERVICES OR A WARRANTY, REPRESENTATION OR ENDORSEMENT OF SUCH PRODUCTS OR SERVICES, EITHER ALONE OR IN COMBINATION WITH ANY TI PRODUCT OR SERVICE.

#### 12.2 接收文档更新通知

如需接收文档更新通知，请访问 [www.ti.com.cn](http://www.ti.com.cn) 网站上的器件产品文件夹。点击右上角的提醒我 (Alert me) 注册后，即可每周定期收到已更改的产品信息。有关更改的详细信息，请查阅已修订文档中包含的修订历史记录。

#### 12.3 社区资源

The following links connect to TI community resources. Linked contents are provided "AS IS" by the respective contributors. They do not constitute TI specifications and do not necessarily reflect TI's views; see TI's [Terms of Use](#).

**TI E2E™ Online Community** *TI's Engineer-to-Engineer (E2E) Community*. Created to foster collaboration among engineers. At [e2e.ti.com](http://e2e.ti.com), you can ask questions, share knowledge, explore ideas and help solve problems with fellow engineers.

**Design Support** *TI's Design Support* Quickly find helpful E2E forums along with design support tools and contact information for technical support.

#### 12.4 商标

E2E is a trademark of Texas Instruments.  
All other trademarks are the property of their respective owners.

#### 12.5 静电放电警告



ESD 可能会损坏该集成电路。德州仪器 (TI) 建议通过适当的预防措施处理所有集成电路。如果不遵守正确的处理措施和安装程序，可能会损坏集成电路。

ESD 的损坏小至导致微小的性能降级，大至整个器件故障。精密的集成电路可能更容易受到损坏，这是因为非常细微的参数更改都可能会导致器件与其发布的规格不相符。

#### 12.6 Glossary

**SLYZ022** — *TI Glossary*.

This glossary lists and explains terms, acronyms, and definitions.

## 13 机械、封装和可订购信息

以下页中包括机械封装和可订购信息。这些信息是针对指定器件可提供的最新数据。这些数据会在无通知且不对本文档进行修订的情况下发生改变。欲获得该数据表的浏览器版本，请查阅左侧的导航栏。

## 重要声明

德州仪器(TI)及其下属子公司有权根据 JESD46 最新标准,对所提供的产品和服务进行更正、修改、增强、改进或其它更改,并有权根据 JESD48 最新标准中止提供任何产品和服务。客户在下订单前应获取最新的相关信息,并验证这些信息是否完整且是最新的。所有产品的销售都遵循在订单确认时所提供的TI 销售条款与条件。

TI 保证其所销售的组件的性能符合产品销售时 TI 半导体产品销售条件与条款的适用规范。仅在 TI 保证的范围内,且 TI 认为有必要时才会使用测试或其它质量控制技术。除非适用法律做出了硬性规定,否则没有必要对每种组件的所有参数进行测试。

TI 对应用帮助或客户产品设计不承担任何义务。客户应对其使用 TI 组件的产品和应用自行负责。为尽量减小与客户产品和应用相关的风险,客户应提供充分的设计与操作安全措施。

TI 不对任何 TI 专利权、版权、屏蔽作品权或其它与使用了 TI 组件或服务的组合设备、机器或流程相关的 TI 知识产权中授予的直接或隐含权限作出任何保证或解释。TI 所发布的与第三方产品或服务有关的信息,不能构成从 TI 获得使用这些产品或服务的许可、授权、或认可。使用此类信息可能需要获得第三方的专利权或其它知识产权方面的许可,或是 TI 的专利权或其它知识产权方面的许可。

对于 TI 的产品手册或数据表中 TI 信息的重要部分,仅在没有对内容进行任何篡改且带有相关授权、条件、限制和声明的情况下才允许进行复制。TI 对此类篡改过的文件不承担任何责任或义务。复制第三方的信息可能需要服从额外的限制条件。

在转售 TI 组件或服务时,如果对该组件或服务参数的陈述与 TI 标明的参数相比存在差异或虚假成分,则会失去相关 TI 组件或服务的所有明示或暗示授权,且这是不正当的、欺诈性商业行为。TI 对任何此类虚假陈述均不承担任何责任或义务。

客户认可并同意,尽管任何应用相关信息或支持仍可能由 TI 提供,但他们将独立负责满足与其产品及其在应用中使用的 TI 产品相关的所有法律、法规和安全相关要求。客户声明并同意,他们具备制定与实施安全措施所需的全部专业技术和知识,可预见故障的危险后果、监测故障及其后果、降低有可能造成人身伤害的故障的发生机率并采取适当的补救措施。客户将全额赔偿因在此类安全关键应用中使用任何 TI 组件而对 TI 及其代理造成的任何损失。

在某些场合中,为了推进安全相关应用有可能对 TI 组件进行特别的促销。TI 的目标是利用此类组件帮助客户设计和创立其特有的可满足适用的功能安全性标准和要求的终端产品解决方案。尽管如此,此类组件仍然服从这些条款。

TI 组件未获得用于 FDA Class III (或类似的生命攸关医疗设备)的授权许可,除非各方授权官员已经达成了专门管控此类使用的特别协议。

只有那些 TI 特别注明属于军用等级或“增强型塑料”的 TI 组件才是设计或专门用于军事/航空应用或环境的。购买者认可并同意,对并非指定面向军事或航空航天用途的 TI 组件进行军事或航空航天方面的应用,其风险由客户单独承担,并且由客户独立负责满足与此类使用相关的所有法律和法规要求。

TI 已明确指定符合 ISO/TS16949 要求的产品,这些产品主要用于汽车。在任何情况下,因使用非指定产品而无法达到 ISO/TS16949 要求, TI 不承担任何责任。

	产品		应用
数字音频	<a href="http://www.ti.com.cn/audio">www.ti.com.cn/audio</a>	通信与电信	<a href="http://www.ti.com.cn/telecom">www.ti.com.cn/telecom</a>
放大器和线性器件	<a href="http://www.ti.com.cn/amplifiers">www.ti.com.cn/amplifiers</a>	计算机及周边	<a href="http://www.ti.com.cn/computer">www.ti.com.cn/computer</a>
数据转换器	<a href="http://www.ti.com.cn/dataconverters">www.ti.com.cn/dataconverters</a>	消费电子	<a href="http://www.ti.com.cn/consumer-apps">www.ti.com.cn/consumer-apps</a>
DLP® 产品	<a href="http://www.dlp.com">www.dlp.com</a>	能源	<a href="http://www.ti.com.cn/energy">www.ti.com.cn/energy</a>
DSP - 数字信号处理器	<a href="http://www.ti.com.cn/dsp">www.ti.com.cn/dsp</a>	工业应用	<a href="http://www.ti.com.cn/industrial">www.ti.com.cn/industrial</a>
时钟和计时器	<a href="http://www.ti.com.cn/clockandtimers">www.ti.com.cn/clockandtimers</a>	医疗电子	<a href="http://www.ti.com.cn/medical">www.ti.com.cn/medical</a>
接口	<a href="http://www.ti.com.cn/interface">www.ti.com.cn/interface</a>	安防应用	<a href="http://www.ti.com.cn/security">www.ti.com.cn/security</a>
逻辑	<a href="http://www.ti.com.cn/logic">www.ti.com.cn/logic</a>	汽车电子	<a href="http://www.ti.com.cn/automotive">www.ti.com.cn/automotive</a>
电源管理	<a href="http://www.ti.com.cn/power">www.ti.com.cn/power</a>	视频和影像	<a href="http://www.ti.com.cn/video">www.ti.com.cn/video</a>
微控制器 (MCU)	<a href="http://www.ti.com.cn/microcontrollers">www.ti.com.cn/microcontrollers</a>		
RFID 系统	<a href="http://www.ti.com.cn/rfidsys">www.ti.com.cn/rfidsys</a>		
OMAP应用处理器	<a href="http://www.ti.com/omap">www.ti.com/omap</a>		
无线连通性	<a href="http://www.ti.com.cn/wirelessconnectivity">www.ti.com.cn/wirelessconnectivity</a>	德州仪器在线技术支持社区	<a href="http://www.deyisupport.com">www.deyisupport.com</a>

邮寄地址: 上海市浦东新区世纪大道1568号, 中建大厦32楼邮政编码: 200122  
Copyright © 2016, 德州仪器半导体技术(上海)有限公司

**PACKAGING INFORMATION**

Orderable Device	Status (1)	Package Type	Package Drawing	Pins	Package Qty	Eco Plan (2)	Lead/Ball Finish (6)	MSL Peak Temp (3)	Op Temp (°C)	Device Marking (4/5)	Samples
BQ51222YFPR	ACTIVE	DSBGA	YFP	42	3000	Green (RoHS & no Sb/Br)	SNAGCU	Level-1-260C-UNLIM	-40 to 125	BQ51222	<a href="#">Samples</a>
BQ51222YFPT	ACTIVE	DSBGA	YFP	42	250	Green (RoHS & no Sb/Br)	SNAGCU	Level-1-260C-UNLIM	-40 to 125	BQ51222	<a href="#">Samples</a>

(1) The marketing status values are defined as follows:

**ACTIVE:** Product device recommended for new designs.

**LIFEBUY:** TI has announced that the device will be discontinued, and a lifetime-buy period is in effect.

**NRND:** Not recommended for new designs. Device is in production to support existing customers, but TI does not recommend using this part in a new design.

**PREVIEW:** Device has been announced but is not in production. Samples may or may not be available.

**OBSOLETE:** TI has discontinued the production of the device.

(2) Eco Plan - The planned eco-friendly classification: Pb-Free (RoHS), Pb-Free (RoHS Exempt), or Green (RoHS & no Sb/Br) - please check <http://www.ti.com/productcontent> for the latest availability information and additional product content details.

**TBD:** The Pb-Free/Green conversion plan has not been defined.

**Pb-Free (RoHS):** TI's terms "Lead-Free" or "Pb-Free" mean semiconductor products that are compatible with the current RoHS requirements for all 6 substances, including the requirement that lead not exceed 0.1% by weight in homogeneous materials. Where designed to be soldered at high temperatures, TI Pb-Free products are suitable for use in specified lead-free processes.

**Pb-Free (RoHS Exempt):** This component has a RoHS exemption for either 1) lead-based flip-chip solder bumps used between the die and package, or 2) lead-based die adhesive used between the die and leadframe. The component is otherwise considered Pb-Free (RoHS compatible) as defined above.

**Green (RoHS & no Sb/Br):** TI defines "Green" to mean Pb-Free (RoHS compatible), and free of Bromine (Br) and Antimony (Sb) based flame retardants (Br or Sb do not exceed 0.1% by weight in homogeneous material)

(3) MSL, Peak Temp. - The Moisture Sensitivity Level rating according to the JEDEC industry standard classifications, and peak solder temperature.

(4) There may be additional marking, which relates to the logo, the lot trace code information, or the environmental category on the device.

(5) Multiple Device Markings will be inside parentheses. Only one Device Marking contained in parentheses and separated by a "~" will appear on a device. If a line is indented then it is a continuation of the previous line and the two combined represent the entire Device Marking for that device.

(6) Lead/Ball Finish - Orderable Devices may have multiple material finish options. Finish options are separated by a vertical ruled line. Lead/Ball Finish values may wrap to two lines if the finish value exceeds the maximum column width.

**Important Information and Disclaimer:** The information provided on this page represents TI's knowledge and belief as of the date that it is provided. TI bases its knowledge and belief on information provided by third parties, and makes no representation or warranty as to the accuracy of such information. Efforts are underway to better integrate information from third parties. TI has taken and continues to take reasonable steps to provide representative and accurate information but may not have conducted destructive testing or chemical analysis on incoming materials and chemicals. TI and TI suppliers consider certain information to be proprietary, and thus CAS numbers and other limited information may not be available for release.

In no event shall TI's liability arising out of such information exceed the total purchase price of the TI part(s) at issue in this document sold by TI to Customer on an annual basis.

## TAPE AND REEL INFORMATION



### QUADRANT ASSIGNMENTS FOR PIN 1 ORIENTATION IN TAPE



\*All dimensions are nominal

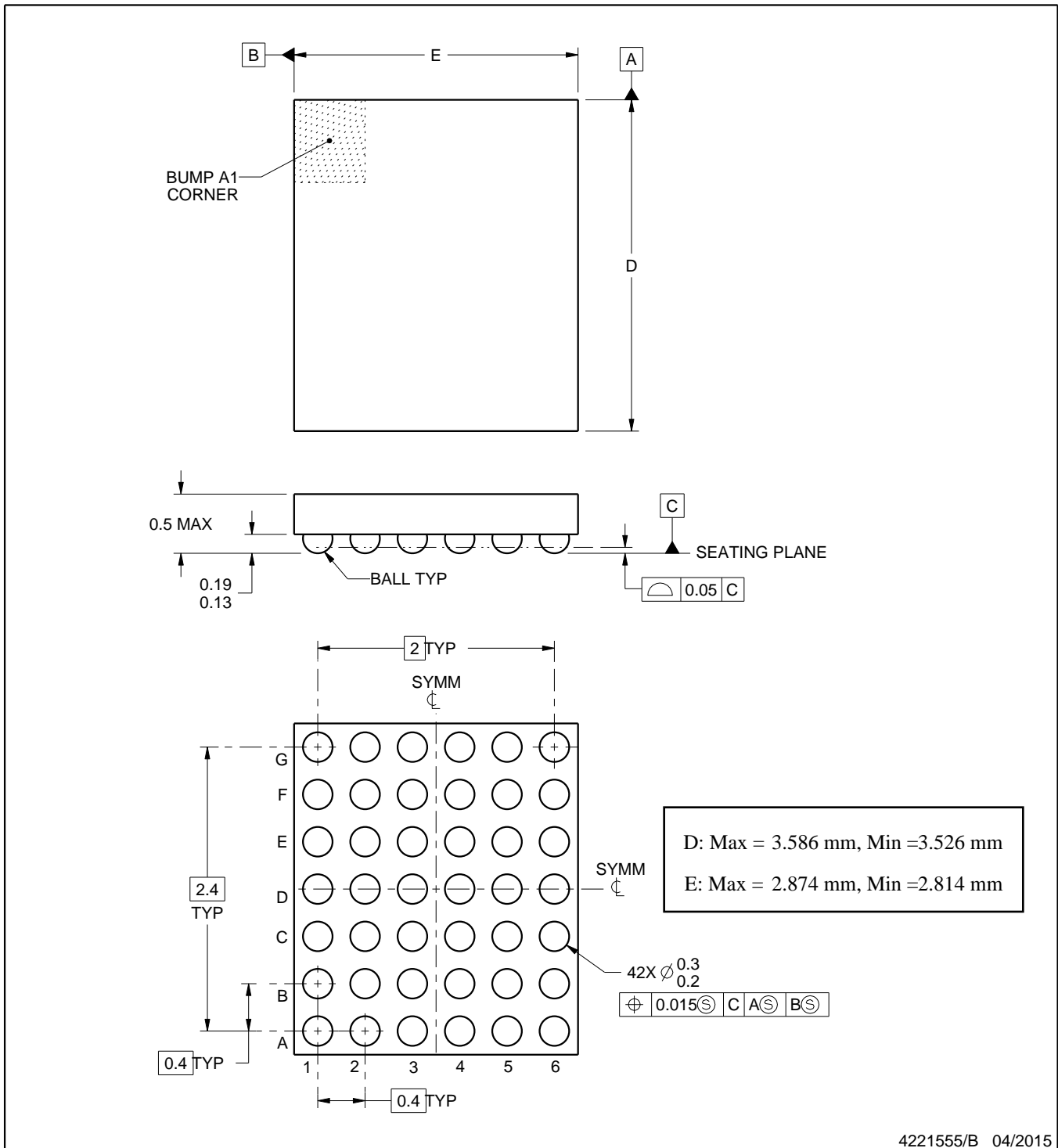
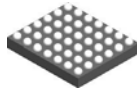
Device	Package Type	Package Drawing	Pins	SPQ	Reel Diameter (mm)	Reel Width W1 (mm)	A0 (mm)	B0 (mm)	K0 (mm)	P1 (mm)	W (mm)	Pin1 Quadrant
BQ51222YFPR	DSBGA	YFP	42	3000	330.0	12.4	2.99	3.71	0.81	8.0	12.0	Q1
BQ51222YFPT	DSBGA	YFP	42	250	330.0	12.4	2.99	3.71	0.81	8.0	12.0	Q1

**TAPE AND REEL BOX DIMENSIONS**


\*All dimensions are nominal

Device	Package Type	Package Drawing	Pins	SPQ	Length (mm)	Width (mm)	Height (mm)
BQ51222YFPR	DSBGA	YFP	42	3000	367.0	367.0	35.0
BQ51222YFPT	DSBGA	YFP	42	250	367.0	367.0	35.0





NOTES:

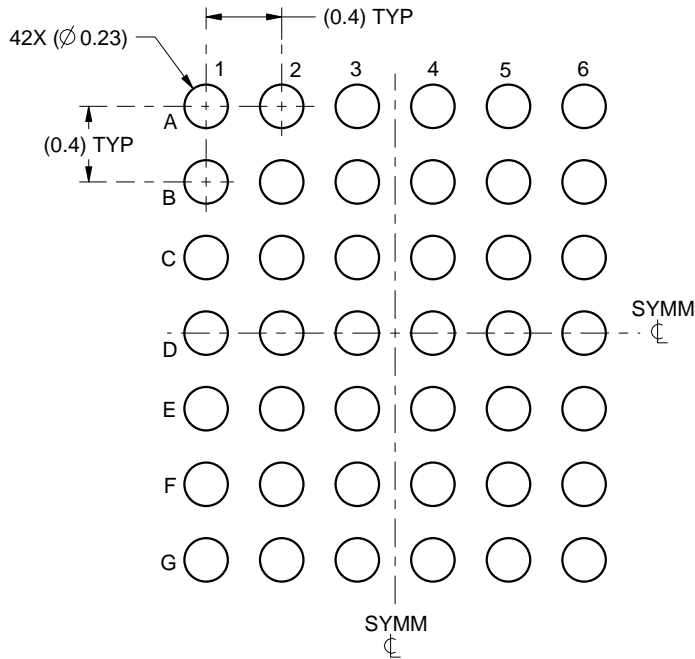
1. All linear dimensions are in millimeters. Any dimensions in parenthesis are for reference only. Dimensioning and tolerancing per ASME Y14.5M.
2. This drawing is subject to change without notice.

# EXAMPLE BOARD LAYOUT

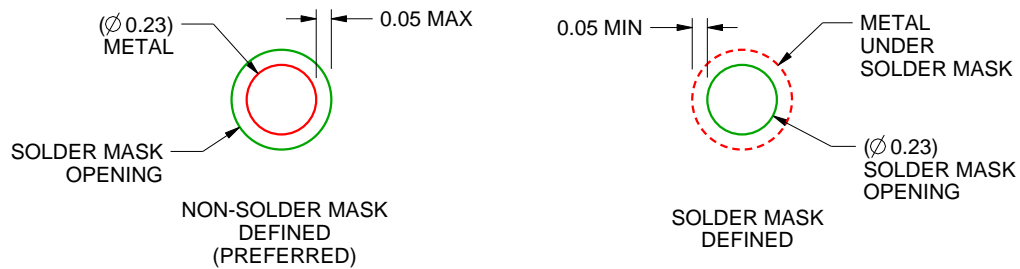
YFP0042

DSBGA - 0.5 mm max height

DIE SIZE BALL GRID ARRAY



LAND PATTERN EXAMPLE  
SCALE:25X



SOLDER MASK DETAILS  
NOT TO SCALE

4221555/B 04/2015

NOTES: (continued)

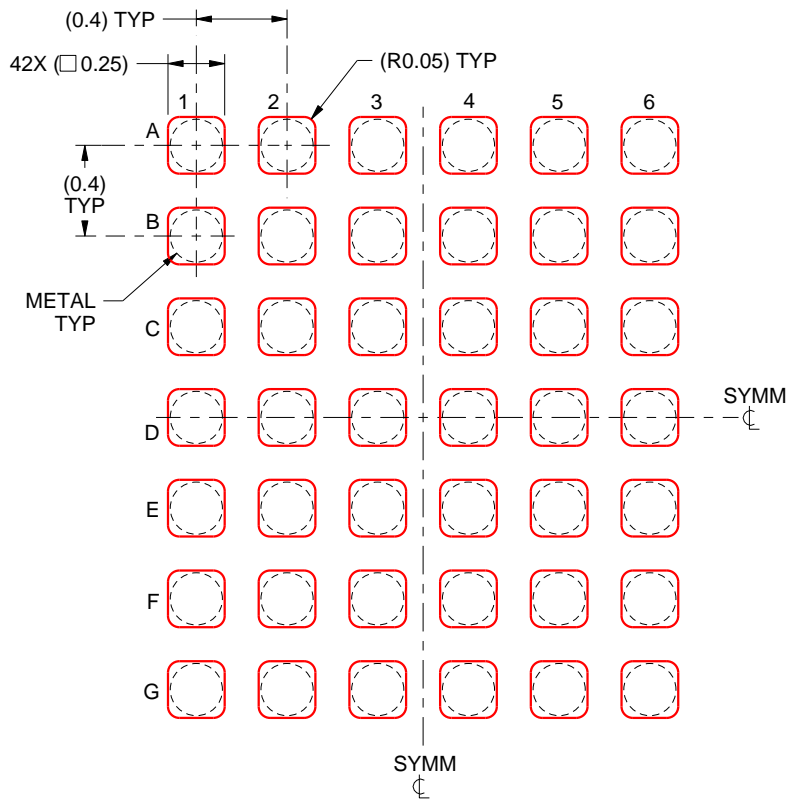
- Final dimensions may vary due to manufacturing tolerance considerations and also routing constraints. For more information, see Texas Instruments literature number SNVA009 ([www.ti.com/lit/snva009](http://www.ti.com/lit/snva009)).

# EXAMPLE STENCIL DESIGN

YFP0042

DSBGA - 0.5 mm max height

DIE SIZE BALL GRID ARRAY



SOLDER PASTE EXAMPLE  
BASED ON 0.1 mm THICK STENCIL  
SCALE:30X

4221555/B 04/2015

NOTES: (continued)

4. Laser cutting apertures with trapezoidal walls and rounded corners may offer better paste release.

## 重要声明

德州仪器(TI) 及其下属子公司有权根据 JESD46 最新标准, 对所提供的产品和服务进行更正、修改、增强、改进或其它更改, 并有权根据 JESD48 最新标准中止提供任何产品和服务。客户在下订单前应获取最新的相关信息, 并验证这些信息是否完整且是最新的。所有产品的销售都遵循在订单确认时所提供的TI 销售条款与条件。

TI 保证其所销售的组件的性能符合产品销售时 TI 半导体产品销售条件与条款的适用规范。仅在 TI 保证的范围内, 且 TI 认为有必要时才会使用测试或其它质量控制技术。除非适用法律做出了硬性规定, 否则没有必要对每种组件的所有参数进行测试。

TI 对应用帮助或客户产品设计不承担任何义务。客户应对其使用 TI 组件的产品和应用自行负责。为尽量减小与客户产品和应用相关的风险, 客户应提供充分的设计与操作安全措施。

TI 不对任何 TI 专利权、版权、屏蔽作品权或其它与使用了 TI 组件或服务的组合设备、机器或流程相关的 TI 知识产权中授予的直接或间接权限制作出任何保证或解释。TI 所发布的与第三方产品或服务有关的信息, 不能构成从 TI 获得使用这些产品或服务的许可、授权、或认可。使用此类信息可能需要获得第三方的专利权或其它知识产权方面的许可, 或是 TI 的专利权或其它知识产权方面的许可。

对于 TI 的产品手册或数据表中 TI 信息的重要部分, 仅在没有对内容进行任何篡改且带有相关授权、条件、限制和声明的情况下才允许进行复制。TI 对此类篡改过的文件不承担任何责任或义务。复制第三方的信息可能需要服从额外的限制条件。

在转售 TI 组件或服务时, 如果对该组件或服务参数的陈述与 TI 标明的参数相比存在差异或虚假成分, 则会失去相关 TI 组件或服务的所有明示或暗示授权, 且这是不正当的、欺诈性商业行为。TI 对任何此类虚假陈述均不承担任何责任或义务。

客户认可并同意, 尽管任何应用相关信息或支持仍可能由 TI 提供, 但他们将独自负责满足与其产品及其应用中使用的 TI 产品相关的所有法律、法规和安全相关要求。客户声明并同意, 他们具备制定与实施安全措施所需的全部专业技术和知识, 可预见故障的危险后果、监测故障及其后果、降低有可能造成人身伤害的故障的发生机率并采取适当的补救措施。客户将全额赔偿因在此类安全关键应用中使用任何 TI 组件而对 TI 及其代理造成的任何损失。

在某些场合中, 为了推进安全相关应用有可能对 TI 组件进行特别的促销。TI 的目标是利用此类组件帮助客户设计和创立其特有的可满足适用的功能安全性标准和要求的终端产品解决方案。尽管如此, 此类组件仍然服从这些条款。

TI 组件未获得用于 FDA Class III (或类似的生命攸关医疗设备) 的授权许可, 除非各方授权官员已经达成了专门管控此类使用的特别协议。

只有那些 TI 特别注明属于军用等级或“增强型塑料”的 TI 组件才是设计或专门用于军事/航空应用或环境的。购买者认可并同意, 对并非指定面向军事或航空航天用途的 TI 组件进行军事或航空航天方面的应用, 其风险由客户单独承担, 并且由客户独自负责满足与此类使用相关的所有法律和法规要求。

TI 已明确指定符合 ISO/TS16949 要求的产品, 这些产品主要用于汽车。在任何情况下, 因使用非指定产品而无法达到 ISO/TS16949 要求, TI 不承担任何责任。

	产品		应用
数字音频	<a href="http://www.ti.com.cn/audio">www.ti.com.cn/audio</a>	通信与电信	<a href="http://www.ti.com.cn/telecom">www.ti.com.cn/telecom</a>
放大器和线性器件	<a href="http://www.ti.com.cn/amplifiers">www.ti.com.cn/amplifiers</a>	计算机及周边	<a href="http://www.ti.com.cn/computer">www.ti.com.cn/computer</a>
数据转换器	<a href="http://www.ti.com.cn/dataconverters">www.ti.com.cn/dataconverters</a>	消费电子	<a href="http://www.ti.com.cn/consumer-apps">www.ti.com.cn/consumer-apps</a>
DLP® 产品	<a href="http://www.dlp.com">www.dlp.com</a>	能源	<a href="http://www.ti.com.cn/energy">www.ti.com.cn/energy</a>
DSP - 数字信号处理器	<a href="http://www.ti.com.cn/dsp">www.ti.com.cn/dsp</a>	工业应用	<a href="http://www.ti.com.cn/industrial">www.ti.com.cn/industrial</a>
时钟和计时器	<a href="http://www.ti.com.cn/clockandtimers">www.ti.com.cn/clockandtimers</a>	医疗电子	<a href="http://www.ti.com.cn/medical">www.ti.com.cn/medical</a>
接口	<a href="http://www.ti.com.cn/interface">www.ti.com.cn/interface</a>	安防应用	<a href="http://www.ti.com.cn/security">www.ti.com.cn/security</a>
逻辑	<a href="http://www.ti.com.cn/logic">www.ti.com.cn/logic</a>	汽车电子	<a href="http://www.ti.com.cn/automotive">www.ti.com.cn/automotive</a>
电源管理	<a href="http://www.ti.com.cn/power">www.ti.com.cn/power</a>	视频和影像	<a href="http://www.ti.com.cn/video">www.ti.com.cn/video</a>
微控制器 (MCU)	<a href="http://www.ti.com.cn/microcontrollers">www.ti.com.cn/microcontrollers</a>		
RFID 系统	<a href="http://www.ti.com.cn/rfidsys">www.ti.com.cn/rfidsys</a>		
OMAP应用处理器	<a href="http://www.ti.com.cn/omap">www.ti.com.cn/omap</a>		
无线连通性	<a href="http://www.ti.com.cn/wirelessconnectivity">www.ti.com.cn/wirelessconnectivity</a>	德州仪器在线技术支持社区	<a href="http://www.deyisupport.com">www.deyisupport.com</a>

Mailing Address: Texas Instruments, Post Office Box 655303, Dallas, Texas 75265  
Copyright © 2016, Texas Instruments Incorporated