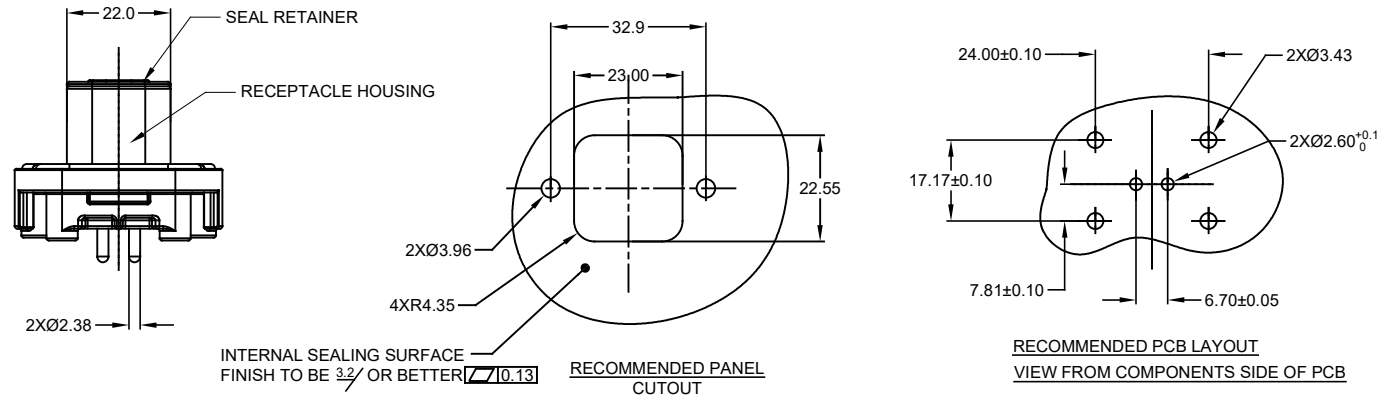
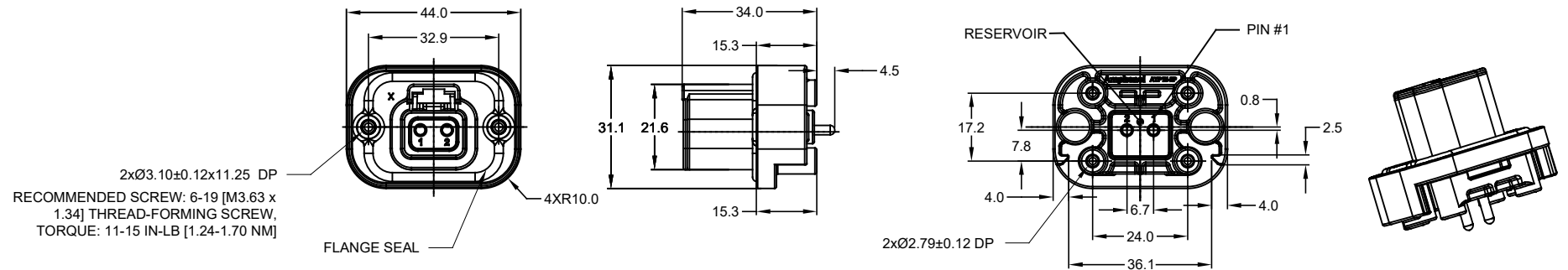


REVISIONS					
REV	ECO	DESCRIPTION	DATE	BY	APPR
A1	-	RELEASE	6JUN19	JAH	TOMMY
A2	-	REVISED DRAWING	10JUL20	JHEAD	DH



NOTES: UNLESS OTHERWISE SPECIFIED

- MATERIAL:
HOUSING: THERMOPLASTIC
SEAL: SILICONE RUBBER
CONTACT: COPPER ALLOY
- MODIFICATIONS: FLANGE; PCB MOUNT STRAIGHT
- SPECIFICATIONS:
 - CURRENT RATING: 25 AMPS
 - OPERATING TEMPERATURE: -55°C TO +125°C
 - DIELECTRIC WITHSTANDING VOLTAGE: LESS THAN 2 MILLIAMPS CURRENT LEAKAGE @ 1500 VOLTS AC.
 - INSULATION RESISTANCE: 1000 MEGOHMS MIN @ 25°C
 - MOISTURE RESISTANCE: IP67 (MATED CONDITION)
 - MATING CYCLE DURABILITY: 100 CYCLES
 - RoHS COMPLIANT
- MATING PART: ATP06-2S* (* = ALL MODIFICATIONS)
- ALL DIMENSIONS ARE FOR REFERENCE USE ONLY
- POTTED CONNECTORS SPECIFIED FOR UP TO 5 P.S.I. APPLICATIONS.

ATP15-2P-BM0XXXX VARIANTS			
CONTACT PLATING	POTTING OR NOT IN RESERVOIR	COLOR	PART NUMBER
GOLD	NO POTTING	GRAY	ATP15-2P-BM01GRY
GOLD	POTTING	GRAY	ATP15-2P-BM02GRY
TIN	NO POTTING	GRAY	ATP15-2P-BM03GRY
TIN	POTTING	GRAY	ATP15-2P-BM04GRY
GOLD	NO POTTING	BLACK	ATP15-2P-BM01BLK
GOLD	POTTING	BLACK	ATP15-2P-BM02BLK
TIN	NO POTTING	BLACK	ATP15-2P-BM03BLK
TIN	POTTING	BLACK	ATP15-2P-BM04BLK

ATP15-2P-BM0XXXX		PART NUMBER		DESCRIPTION		ITEM
QUANTITY						
MATERIALS LIST						
UNLESS OTHERWISE SPECIFIED		SIGNATURES		DATE		<p>Sine Systems - www.amphenol-sine.com 44724 Morley Drive Clinton Township, MI 48036</p>
1) All dimensions are in metric (mm).		DRAWN: PETER YANG		14MAY19		
2) Tolerances are as follows:		CHECKED: ORION LI		14MAY19		
1 PL DEC ±0.30 Fractions ±1/64		ENGINEER:				
3 PL DEC ±0.08 Angles ±1°		APPROVAL: TOMMY XIE		14MAY19		BOARDLOCK PCB MOUNT RECEPTACLE, 2 PIN, ST FLANGE, ATP SERIES
MATERIAL SPECIFICATIONS:		CUSTOMER:		SIZE		
PROCESS SPECIFICATIONS:		THIS DRAWING IS SUPPLIED FOR INFORMATION ONLY. DESIGN FEATURES, SPECIFICATIONS AND PERFORMANCE DATA SHOWN HEREON ARE THE PROPERTY OF THE AMPHENOL CORPORATION. NO RIGHTS OF REPRODUCTION ARE IMPLIED. ALL DIMENSIONS ARE SUBJECT TO NORMAL MANUFACTURING VARIATIONS.		TYPE		
NEXT ASSY:		SCALE: NONE		DWG NO: ATP15-2P-BM0XXXX		REVISION: A2
				SHEET 1 OF 1		

TITLE: BOARDLOCK PCB MOUNT RECEPTACLE 2PIN, ST FLANGE, ATP SERIES
DWG NO: ATP15-2P-BM0XXXX
REV: A2
SH: 1
OF: 1