

High-Speed CAN Transceiver with Silent Mode - CAN FD Ready

Features

- Fully ISO 11898-2, ISO 11898-2: 2016 and SAE J2962-2 Compliant
- CAN FD Ready
- Communication Speed up to 5 Mbit/s
- Low Electromagnetic Emission (EME) and High Electromagnetic Immunity (EMI)
- Differential Receiver with Wide Common Mode Range
- Compatible to 3.3V and 5V Microcontrollers
- Functional Behavior Predictable under all Supply Conditions
- Transceiver Disengages from the Bus When Not Powered-Up
- RXD Recessive Clamping Detection
- High Electrostatic Discharge (ESD) Handling Capability on the Bus Pins
- Bus Pins Protected Against Transients in Automotive Environments
- Transmit Data (TXD) Dominant Time-out Function
- Undervoltage Detection on VCC and VIO Pins
- CANH/CANL Short-Circuit and Overtemperature Protected
- Fulfills the OEM "Hardware Requirements for LIN, CAN and FlexRay Interfaces in Automotive Applications", Rev. 1.3
- Qualified According to AEC-Q100
- Two Ambient Temperature Grades:
 - ATA6564-GAQW1 and ATA6564-GBQW1 up to $T_{amb} = +125^{\circ}\text{C}$
 - ATA6564-GAQW0 and ATA6564-GBQW0 up to $T_{amb} = +150^{\circ}\text{C}$
- Packages: 8-pin SOIC, 8-pin VDFN with Wettable Flanks (Moisture Sensitivity Level 1)

Applications

Classical CAN and CAN FD networks in Automotive, Industrial, Aerospace, Medical and Consumer applications.

General Description

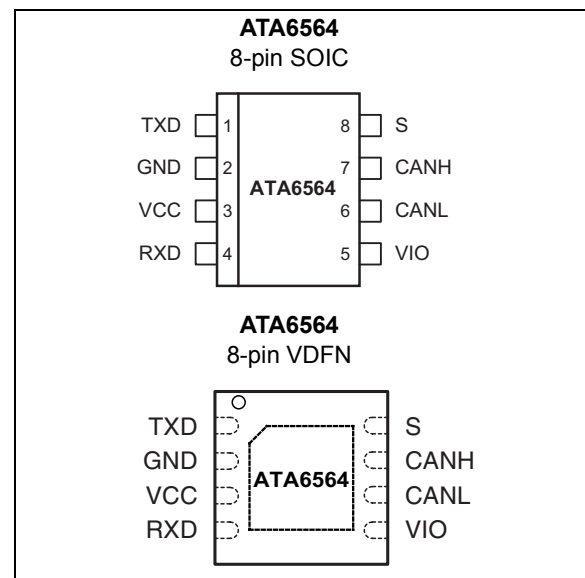
The ATA6564 is a high-speed CAN transceiver that provides an interface between a controller area network (CAN) protocol controller and the physical two-wire CAN bus. The transceiver is designed for high-speed (up to 5 Mbit/s) CAN applications in the automotive industry, providing differential transmit and receive capability to (a microcontroller with) a CAN protocol controller.

It offers improved electromagnetic compatibility (EMC) and electrostatic discharge (ESD) performance, as well as features such as:

- ideal passive behavior to the CAN bus when the supply voltage is off
- direct interfacing to microcontrollers with supply voltages from 3V to 5V

Two operating modes together with the dedicated fail-safe features make the ATA6564 an excellent choice for all types of high-speed CAN networks especially in nodes which do not require a Standby mode with wake-up capability via the bus.

Package Types

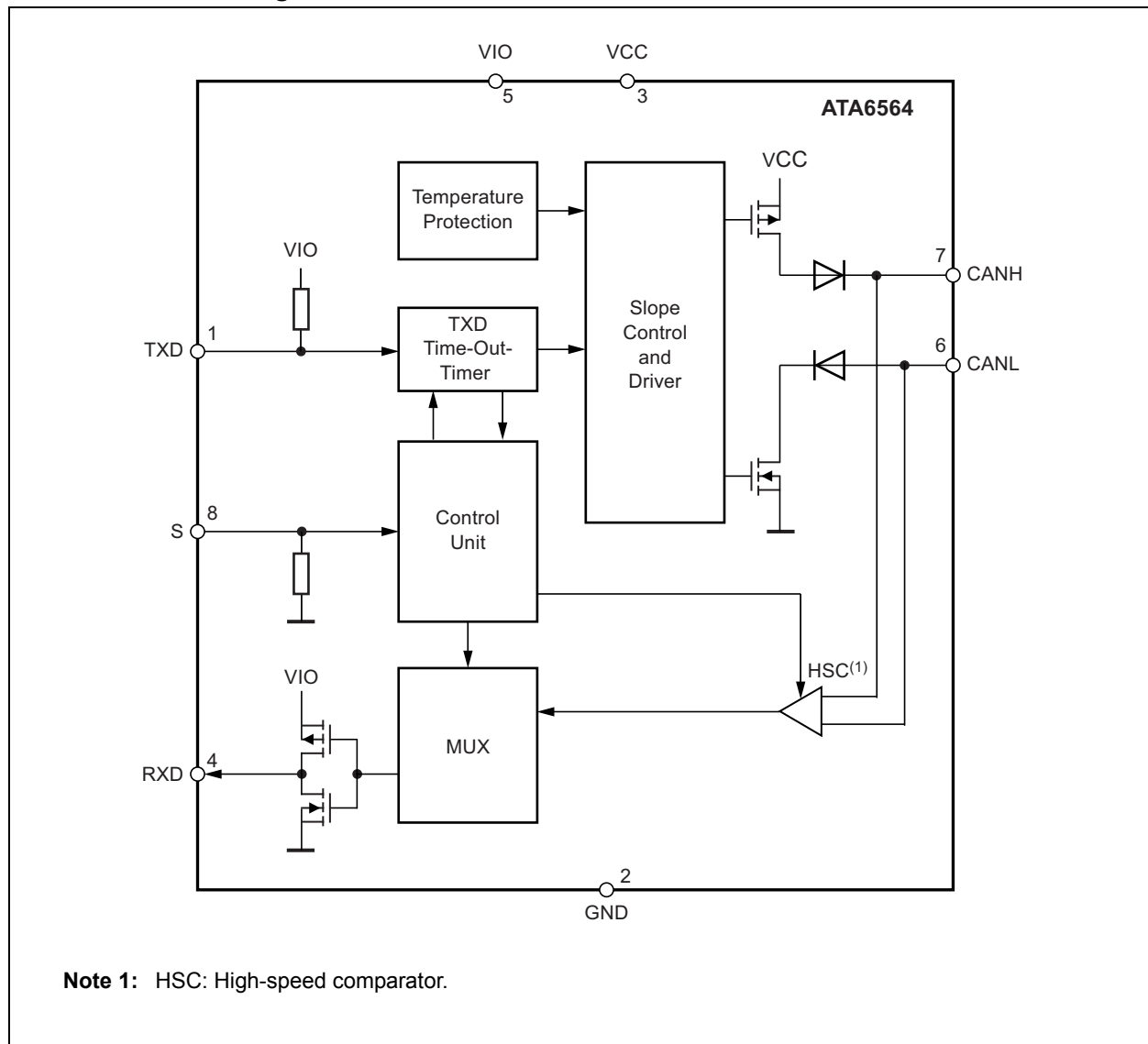


ATA6564

ATA6564 Family Members

Device	Grade 0	Grade 1	VDFN8	SOIC8	Description
ATA6564-GAQW0	x			x	Silent mode, VIO - pin for compatibility with 3,3V and 5V microcontroller
ATA6564-GBQW0	x		x		Silent mode, VIO - pin for compatibility with 3,3V and 5V microcontroller
ATA6564-GAQW1		x		x	Silent mode, VIO - pin for compatibility with 3,3V and 5V microcontroller
ATA6564-GBQW1		x	x		Silent mode, VIO - pin for compatibility with 3,3V and 5V microcontroller

Functional Block Diagram



1.0 DEVICE OVERVIEW

The ATA6564 is a stand-alone high-speed CAN transceiver compliant with the ISO 11898-2, ISO 11898-2: 2016 and SAE J2962-2 CAN standards. It provides very low current consumption in Silent mode.

1.1 Operating Modes

The ATA6564 supports two operating modes: Silent and Normal. These modes can be selected via the S pin. See [Figure 1-1](#) and [Table 1-1](#) for a description of the operating modes.

FIGURE 1-1: OPERATING MODES

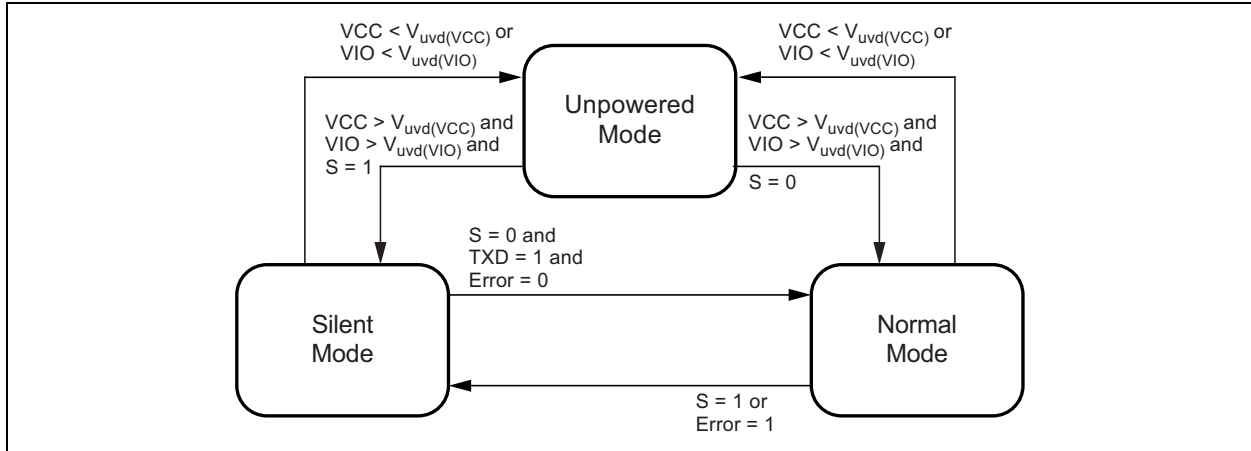


TABLE 1-1: OPERATING MODES

Mode	Inputs		Outputs	
	S	Pin TXD	CAN Driver	Pin RXD
Unpowered	x ⁽²⁾	x ⁽²⁾	Recessive	Recessive
Silent	HIGH	x ⁽²⁾	Recessive	Active ⁽¹⁾
Normal	LOW	LOW	Dominant	LOW
	LOW	HIGH	Recessive	HIGH

Note 1: LOW if the CAN bus is dominant, HIGH if the CAN bus is recessive.

2: Irrelevant

1.1.1 NORMAL MODE

A low level on the S pin together with a high level on pin TXD selects the Normal mode. In this mode the transceiver is able to transmit and receive data via the CANH and CANL bus lines (see [Section “Functional Block Diagram”](#)). The output driver stage is active and drives data from the TXD input to the CAN bus. The high-speed comparator (HSC) converts the analog data on the bus lines into digital data which is output to pin RXD. The bus biasing is set to $V_{VCC}/2$ and the undervoltage monitoring of VCC is active.

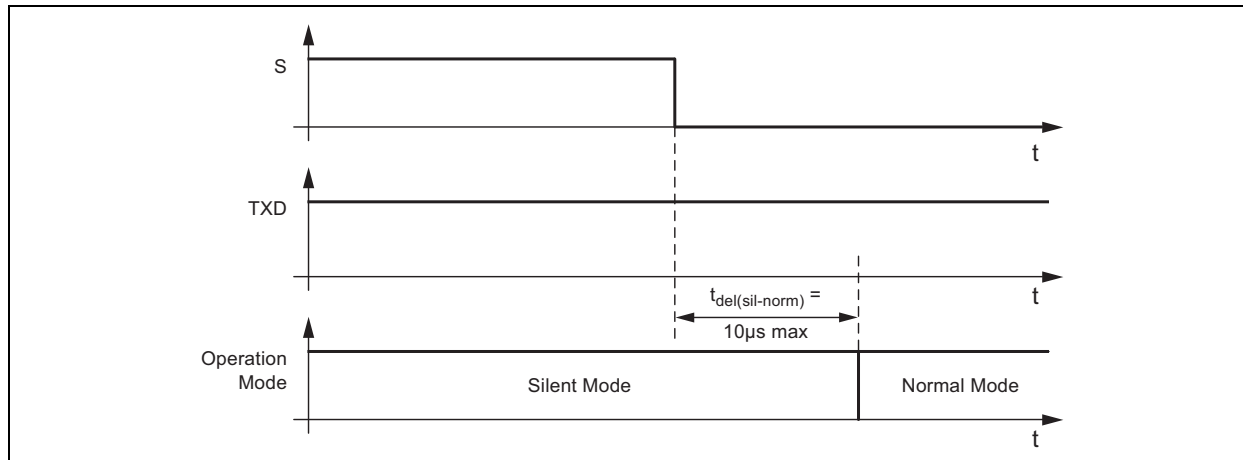
The slope of the output signals on the bus lines is controlled and optimized in a way that ensures the lowest possible electromagnetic emission (EME).

To switch the device in normal operating mode, set the S pin to low and the TXD pin to high (see [Table 1-1](#) and [Figure 1-2](#)). The S pin provides a pull-down resistor to GND, thus ensuring a defined level if the pin is open.

Please note that the device cannot enter Normal mode as long as TXD is at ground level.

ATA6564

FIGURE 1-2: SWITCHING FROM SILENT MODE TO NORMAL MODE



1.1.2 SILENT MODE

A high level on the S pin selects Silent mode. This receive-only mode can be used to test the connection of the bus medium. In Silent mode the ATA6564 can still receive data from the bus, but the transmitter is disabled and therefore no data can be sent to the CAN bus. The bus pins are released to recessive state. All other IC functions, including the high-speed comparator (HSC), continue to operate as they do in Normal mode. Silent mode can be used to prevent a faulty CAN controller from disrupting all network communications.

1.2 Fail-safe Features

1.2.1 TXD DOMINANT TIME-OUT FUNCTION

A TXD dominant time-out timer is started when the TXD pin is set to LOW. If the LOW state on the TXD pin persists for longer than $t_{to(dom)TXD}$, the transmitter is disabled, releasing the bus lines to recessive state. This function prevents a hardware and/or software application failure from driving the bus lines to a permanent dominant state (blocking all network communications). The TXD dominant time-out timer is reset when the TXD pin is set to high. If the low state on the TXD pin was longer than $t_{to(dom)TXD}$, then the TXD pin has to be set to high longer 4 µs in order to reset the TXD dominant time-out timer.

1.2.2 INTERNAL PULL-UP/PULL-DOWN STRUCTURE AT THE TXD AND S INPUT PINS

The TXD pin has an internal pull-up resistor to V_{IO} and the S pin an internal pull-down resistor to GND. This ensures a safe, defined state in case one or all of these pins are left floating.

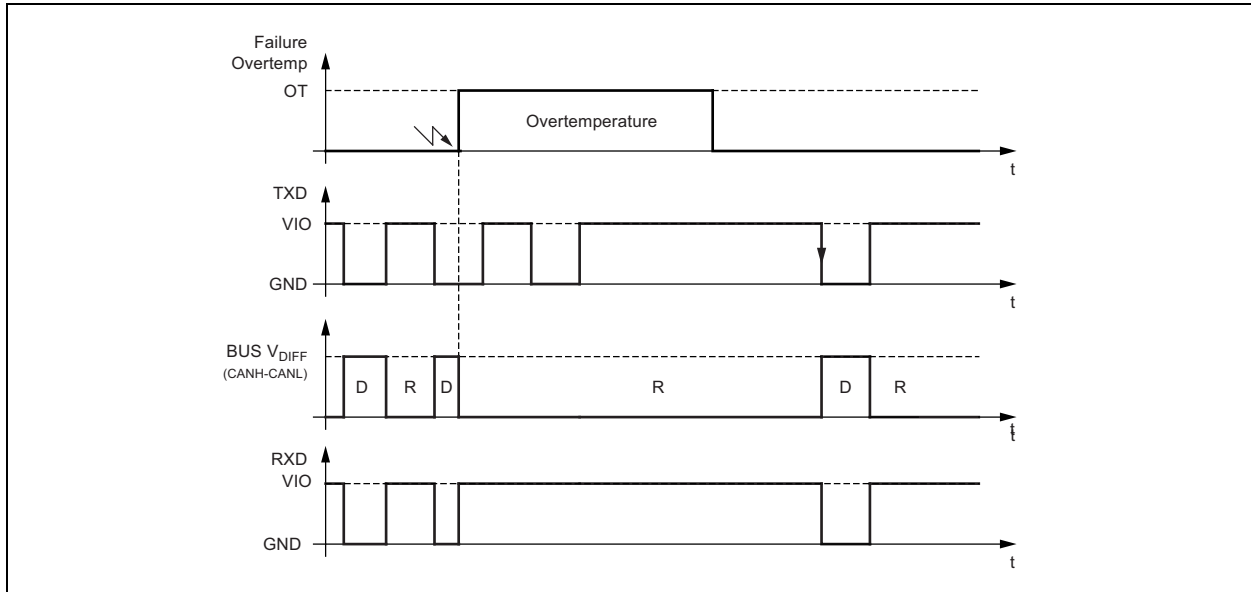
1.2.3 UNDERVOLTAGE DETECTION ON PINS VCC AND VIO

If V_{VCC} or V_{VIO} drop below their respective undervoltage detection levels (V_{uvd(VCC)} and V_{uvd(VIO)}) (see [Section TABLE 2-1: Electrical Characteristics](#)), the transceiver switches off and disengages from the bus until V_{VCC} and V_{VIO} have recovered. The logic state of the S pin is ignored until the VCC voltage or the VIO voltage has recovered.

1.2.4 OVERTEMPERATURE PROTECTION

The output drivers are protected against overtemperature conditions. If the junction temperature exceeds the shutdown junction temperature, T_{Jsd}, the output drivers are disabled until the junction temperature drops below T_{Jsd} and pin TXD is at high level again. This ensures that output driver oscillations due to temperature drift are avoided.

FIGURE 1-3: RELEASE OF TRANSMISSION AFTER OVERTEMPERATURE CONDITION



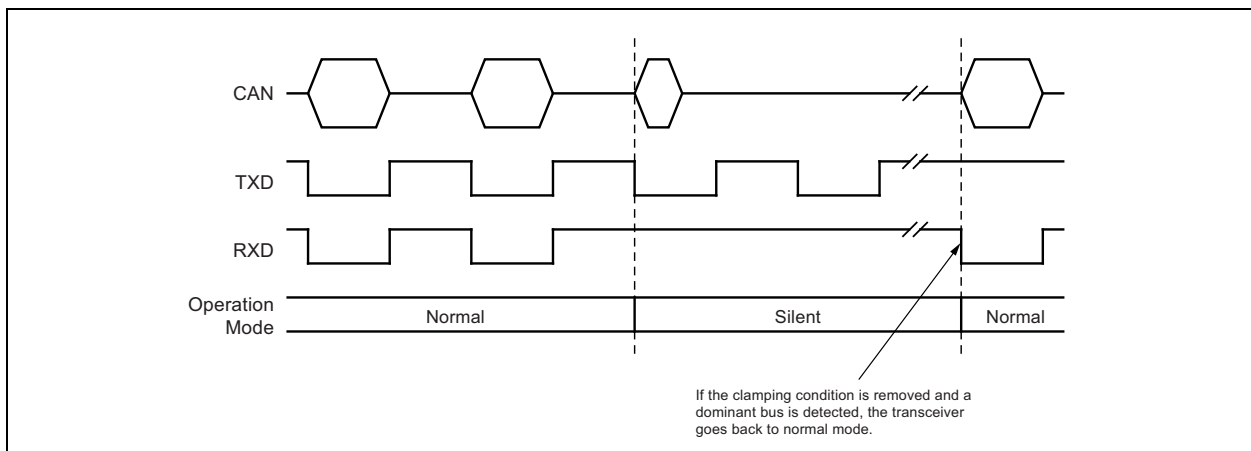
1.2.5 SHORT-CIRCUIT PROTECTION OF THE BUS PINS

The CANH and CANL bus outputs are short-circuit protected, either against GND or a positive supply voltage. A current-limiting circuit protects the transceiver against damage. If the device is heating up due to a continuous short on CANH or CANL, the internal overtemperature protection switches off the bus transmitter.

1.2.6 RXD RECESSIVE CLAMPING

This fail-safe feature prevents the controller from sending data on the bus if its RXD line is clamped to HIGH (e.g., recessive). That is, if the RXD pin cannot signalize a dominant bus condition because it is e.g., shorted to VCC, the transmitter within ATA6564 is disabled to avoid possible data collisions on the bus. In Normal and Silent mode, the device permanently compares the state of the high-speed comparator (HSC) with the state of the RXD pin. If the HSC indicates a dominant bus state for more than t_{RC_det} without the RXD pin doing the same, a recessive clamping situation is detected and the device is forced into Silent mode. This Fail-safe mode is released by either entering Unpowered mode or if the RXD pin is showing a dominant (e.g., LOW) level again.

FIGURE 1-4: RXD RECESSIVE CLAMPING DETECTION



ATA6564

1.3 Pin Descriptions

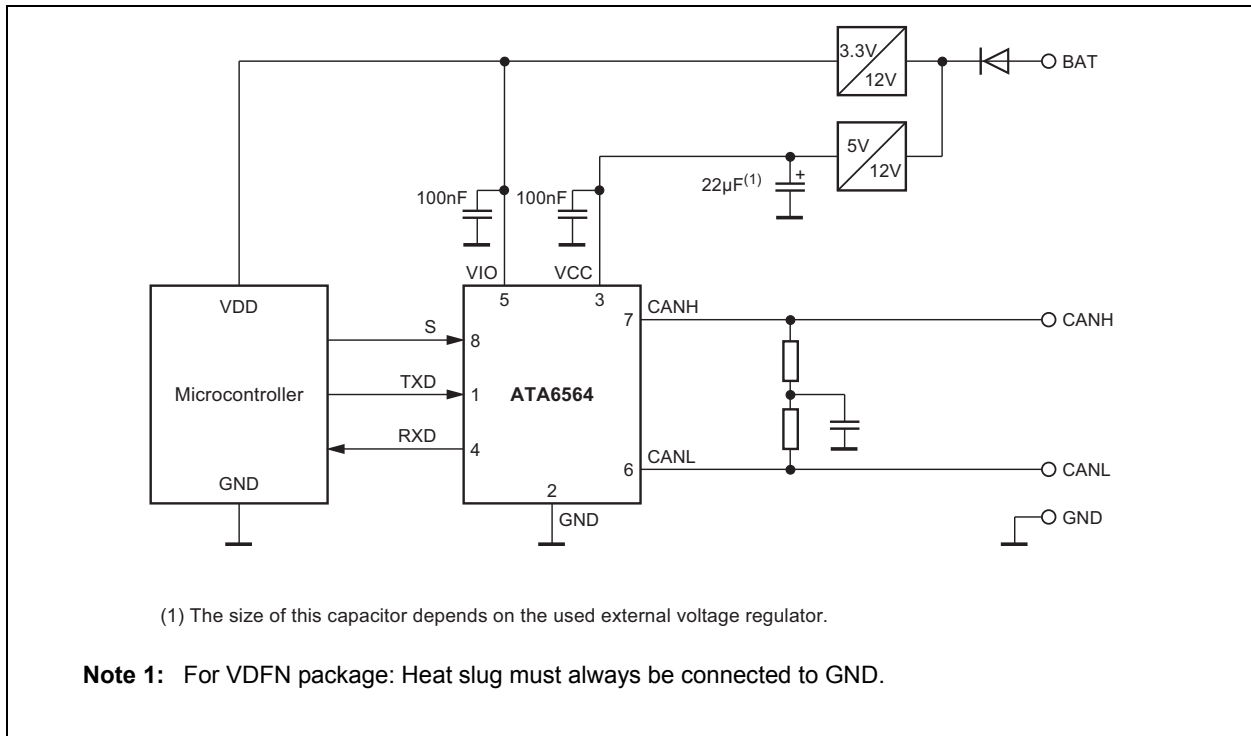
The descriptions of the pins are listed in [Table 1-2](#).

TABLE 1-2: PIN FUNCTION TABLE

Pin Number	Pin Name	Description
1	TXD	Transmit data input
2	GND	Ground supply
3	VCC	Supply voltage
4	RXD	Receive data output; reads out data from the bus lines
5	VIO	Supply voltage for I/O level adapter
6	CANL	Low-level CAN bus line
7	CANH	High-level CAN bus line
8	S	Silent mode control input
9	EP ⁽¹⁾	Exposed Thermal Pad: Heat slug, internally connected to the GND pin.

Note 1: Only for the VDFN package.

1.4 Typical Application



ATA6564

2.0 ELECTRICAL CHARACTERISTICS

Absolute Maximum Ratings^(†)

DC Voltage at CANH and CANL	-27V to +42V
Transient Voltage on CANH and CANL (ISO 7637 part 2)	-150V to +100V
Max. differential bus voltage.....	-5V to +18V
DC voltage on all other pins	-0.3V to +5.5V
ESD on CANH and CANL pins (IEC 61000-4-2).....	±8 kV
ESD (HBM following STM 5.1 with 1.5 kΩ/100 pF) (Pins CANH, CANL to GND).....	±6 kV
Component Level ESD (HBM according to ANSI/ESD STM 5.1) JESD22-A114, AEC-Q 100 (002).....	±4 kV
CDM ESD STM 5.3.1	±750V
ESD machine model AEC-Q100-RevF(003).....	±200V
Virtual Junction Temperature.....	-40°C to +175°C
Storage Temperature.....	-55°C to +150°C

† Notice: Stresses beyond those listed below may cause permanent damage to the device. This is a stress rating only and functional operation of the device at these or any other conditions beyond those indicated in the operational sections of this specification is not implied. Exposure to absolute maximum rating conditions for extended periods may affect device reliability.

TABLE 2-1: ELECTRICAL CHARACTERISTICS

Electrical Specifications: Grade 1: $T_{amb} = -40^{\circ}\text{C}$ to $+125^{\circ}\text{C}$, Grade 0: $T_{amb} = -40^{\circ}\text{C}$ to $+150^{\circ}\text{C}$, $T_{vj} \leq 170^{\circ}\text{C}$, $V_{VCC} = 4.5\text{V}$ to 5.5V ; $V_{VIO} = 2.8\text{V}$ to 5.5V ; $R_L = 60\Omega$, $C_L = 100\text{pF}$, unless otherwise specified. All voltages are defined in relation to ground; positive currents flow into the IC.

Parameters	Sym.	Min.	Typ.	Max.	Units	Conditions
Supply, Pin VCC						
Supply Voltage	V_{VCC}	4.5	—	5.5	V	
Supply Current in Silent Mode	I_{VCC_sil}	1.9	2.5	3	mA	Silent Mode, $V_{TXD} = V_{VIO}$
Supply Current in Normal Mode	I_{VCC_rec} I_{VCC_dom} I_{VCC_short}	2 30	50	5 70 85	mA	Recessive, $V_{TXD} = V_{VIO}$ Dominant, $V_{TXD} = 0\text{V}$ Short between CANH and CANL (Note 1)
Undervoltage Detection Threshold on Pin VCC	$V_{UVD(VCC)}$	2.75	—	4.5	V	
I/O Level Adapter Supply, Pin VIO						
Supply Voltage on Pin VIO	V_{VIO}	2.8	—	5.5	V	
Supply Current on Pin VIO	I_{VIO_rec}	10	80	250	μA	Normal and Silent Mode recessive, $V_{TXD} = V_{VIO}$
	I_{VIO_dom}	50	350	500	μA	Normal and Silent Mode dominant, $V_{TXD} = 0\text{V}$
Undervoltage Detection Threshold on Pin VIO	$V_{UVD(VIO)}$	1.3	—	2.7	V	
Mode Control Input, Pin S						
High-Level Input Voltage	V_{IH}	$0.7 \times V_{VIO}$	—	$V_{VIO} + 0.3$	V	
Low-Level Input Voltage	V_{IL}	-0.3	—	$0.3 \times V_{VIO}$	V	
Pull-Down Resistor to GND	R_{pd}	75	125	175	k Ω	$V_S = V_{VIO}$
Low-Level Leakage Current	I_L	-2	—	+2	μA	$V_S = 0\text{V}$
CAN Transmit Data Input, Pin TXD						
High-Level Input Voltage	V_{IH}	$0.7 \times V_{VIO}$	—	$V_{VIO} + 0.3$	V	
Low-Level Input Voltage	V_{IL}	-0.3	—	$0.3 \times V_{VIO}$	V	
Pull-up Resistor to VIO	R_{TXD}	20	35	50	k Ω	$V_{TXD} = 0\text{V}$
High-Level Leakage Current	I_{TDX}	-2	—	+2	μA	Normal Mode, $V_{TXD} = V_{VIO}$
Input Capacitance	C_{TXD}	—	5	10	pF	Note 3
CAN Receive Data Output, Pin RXD						
High-Level Output Current	I_{OH}	-8	—	-1	mA	$V_{RXD} = V_{VIO} - 0.4\text{V}$, $V_{VIO} = V_{VCC}$
Low-Level Output Current	I_{OL}	2	—	12	mA	$V_{RXD} = 0.4\text{V}$, Bus Dominant
Bus Lines, Pins CANH and CANL						
Single Ended Dominant Output Voltage	$V_{O(dom)}$	2.75 0.5	3.5 1.5	4.5 2.25	V	$V_{TXD} = 0\text{V}$, $t < t_{to(dom)TXD}$ $R_L = 50\Omega$ to 65Ω - pin CANH - pin CANL (Note 1)

- Note 1:** 100% correlation tested.
Note 2: Characterized on samples.
Note 3: Design parameter.

ATA6564

TABLE 2-1: ELECTRICAL CHARACTERISTICS (CONTINUED)

Electrical Specifications: Grade 1: $T_{amb} = -40^{\circ}\text{C}$ to $+125^{\circ}\text{C}$, Grade 0: $T_{amb} = -40^{\circ}\text{C}$ to $+150^{\circ}\text{C}$, $T_{vj} \leq 170^{\circ}\text{C}$, $V_{VCC} = 4.5\text{V}$ to 5.5V ; $V_{VIO} = 2.8\text{V}$ to 5.5V ; $R_L = 60\Omega$, $C_L = 100\text{pF}$, unless otherwise specified. All voltages are defined in relation to ground; positive currents flow into the IC.

Parameters	Sym.	Min.	Typ.	Max.	Units	Conditions
Transmitter Voltage Symmetry	V_{Sym}	0.9	1	1.1	—	$V_{Sym} = (V_{CANH} + V_{CANL}) / V_{VCC}$ (Note 3)
Bus Differential Output Voltage	V_{Diff}	1.5	—	3	V	$V_{TXD} = 0\text{V}$, $t < t_{to(dom)TXD}$ $R_L = 45\Omega$ to 65Ω
		1.5	—	3.3	V	$V_{TXD} = 0\text{V}$, $t < t_{to(dom)TXD}$ $R_L = 70\Omega$ (Note 3)
		1.5	—	5	V	$V_{TXD} = 0\text{V}$, $t < t_{to(dom)TXD}$ $R_L = 2240\Omega$ (Note 3)
		-50	—	+50	mV	$V_{VCC} = 4.75\text{V}$ to 5.25V $V_{TXD} = V_{VIO}$, receive, no load
Recessive Output Voltage	$V_{O(rec)}$	2	$0.5 \times V_{VCC}$	3	V	Normal and Silent Mode, $V_{TXD} = V_{VIO}$, no load
Differential Receiver Threshold Voltage (HSC)	$V_{th(RX)dif}$	0.5	0.7	0.9	V	Normal and Silent Mode, $V_{cm(CAN)} = -27\text{V}$ to $+27\text{V}$
Differential Receiver Hysteresis Voltage (HSC)	$V_{hys(RX)dif}$	50	120	200	mV	Normal and Silent Mode, $V_{cm(CAN)} = -27\text{V}$ to $+27\text{V}$
Dominant Output Current	$I_{IO(dom)}$	-75 35	—	-35 75	mA mA	$V_{TXD} = 0\text{V}$, $t < t_{to(dom)TXD}$, $V_{VCC} = 5\text{V}$ - pin CANH, $V_{CANH} = -5\text{V}$ - pin CANL, $V_{CANL} = +40\text{V}$
Recessive Output Current	$I_{IO(rec)}$	-5	—	+5	mA	Normal and Silent Mode, $V_{TXD} = V_{VIO}$, no load, $V_{CANH} = V_{CANL} = -27\text{V}$ to $+32\text{V}$
Leakage Current	$I_{IO(leak)}$	-5	0	+5	μA	$V_{VCC} = V_{VIO} = 0\text{V}$, $V_{CANH} = V_{CANL} = 5\text{V}$
	$I_{IO(leak)}$	-5	0	+5	μA	$V_{CC} = V_{IO}$ connected to GND with $47\text{k}\Omega$ $V_{CANH} = V_{CANL} = 5\text{V}$ (Note 3)
Input Resistance	R_i	9	15	28	$\text{k}\Omega$	$V_{CANH} = V_{CANL} = 4\text{V}$
	R_i	9	15	28	$\text{k}\Omega$	$-2\text{V} \leq V_{CANH} \leq +7\text{V}$, $-2\text{V} \leq V_{CANL} \leq +7\text{V}$ (Note 3)
Input Resistance Deviation	ΔR_i	-1	0	+1	%	Between CANH and CANL $V_{CANH} = V_{CANL} = 4\text{V}$
	ΔR_i	-1	0	+1	%	$-2\text{V} \leq V_{CANH} \leq +7\text{V}$, $-2\text{V} \leq V_{CANL} \leq +7\text{V}$ (Note 3)
Differential Input Resistance	$R_{i(dif)}$	18	30	56	$\text{k}\Omega$	$V_{CANH} = V_{CANL} = 4\text{V}$
	$R_{i(dif)}$	18	30	56	$\text{k}\Omega$	$-2\text{V} \leq V_{CANH} \leq +7\text{V}$, $-2\text{V} \leq V_{CANL} \leq +7\text{V}$ (Note 3)
Common-Mode Input Capacitance	$C_{i(cm)}$	—	—	20	pF	$f = 500\text{kHz}$, CANH and CANL referred to GND (Note 3)
Differential Input Capacitance	$C_{i(dif)}$	—	—	10	pF	$f = 500\text{kHz}$, between CANH and CANL (Note 3)

- Note 1:** 100% correlation tested.
Note 2: Characterized on samples.
Note 3: Design parameter.

TABLE 2-1: ELECTRICAL CHARACTERISTICS (CONTINUED)

Electrical Specifications: Grade 1: $T_{amb} = -40^{\circ}\text{C}$ to $+125^{\circ}\text{C}$, Grade 0: $T_{amb} = -40^{\circ}\text{C}$ to $+150^{\circ}\text{C}$, $T_{vj} \leq 170^{\circ}\text{C}$, $V_{VCC} = 4.5\text{V}$ to 5.5V ; $V_{VIO} = 2.8\text{V}$ to 5.5V ; $R_L = 60\Omega$, $C_L = 100\text{ pF}$, unless otherwise specified. All voltages are defined in relation to ground; positive currents flow into the IC.

Parameters	Sym.	Min.	Typ.	Max.	Units	Conditions
Differential Bus Voltage Range for RECESSIVE State Detection	V_{Diff_rec}	-3	—	+0.5	V	Normal and Silent Mode (Note 3) $-27\text{V} \leq V_{CANH} \leq +27\text{V}$, $-27\text{V} \leq V_{CANL} \leq +27\text{V}$
Differential Bus Voltage Range for DOMINANT State Detection	V_{Diff_dom}	0.9	—	8	V	Normal and Silent Mode (Note 3) $-27\text{V} \leq V_{CANH} \leq +27\text{V}$, $-27\text{V} \leq V_{CANL} \leq +27\text{V}$
Transceiver Timing, Pins CANH, CANL, TXD, and RXD, see Figure Figure 2-1 and Figure 2-2						
Delay Time from TXD to Bus Dominant	$t_{d(TXD-busdom)}$	40	—	130	ns	Normal Mode (Note 2)
Delay Time from TXD to Bus Recessive	$t_{d(TXD-busrec)}$	40	—	130	ns	Normal Mode (Note 2)
Delay Time from Bus Dominant to RXD	$t_{d(busdom-RXD)}$	20	—	100	ns	Normal and Silent Mode (Note 2)
Delay Time from Bus Recessive to RXD	$t_{d(busrec-RXD)}$	20	—	100	ns	Normal and Silent Mode (Note 2)
Propagation Delay from TXD to RXD	$t_{PD(TXD-RXD)}$	40	—	210	ns	Normal Mode $R_L = 60\Omega$, $C_L = 100\text{ pF}$ Rising Edge at Pin TXD Falling Edge at Pin TXD
		40	—	200	ns	
	$t_{PD(TXD-RXD)}$	—	—	300	ns	Normal Mode $R_L = 150\Omega$, $C_L = 100\text{ pF}$ Rising Edge at Pin TXD (Note 3) Falling Edge at Pin TXD (Note 3)
		—	—	300	ns	
TXD Dominant Time-out Time	$t_{to(dom)TXD}$	0.8	—	3	ms	$V_{TXD} = 0\text{V}$, Normal Mode
Delay Time for Normal Mode to Silent Mode Transition	$t_{del(norm-sil)}$	—	—	10	μs	Rising at Pin S (Note 3)
Delay Time for Silent Mode to Normal Mode Transition	$t_{del(sil-norm)}$	—	—	10	μs	Falling at Pin S (Note 3)
Debouncing Time for Recessive Clamping State Detection	t_{RC_det}	—	90	—	ns	$V(CANH-CANL) > 900\text{ mV}$ RXD = HIGH (Note 3)
Transceiver Timing for Higher Bit Rates, Pins CANH, CANL, TXD, and RXD, see Figure 2-1 and Figure 2-3, External Capacitor on the RXD Pin $CRXD \leq 20\text{ pF}$						
Recessive Bit Time on Pin RXD	$t_{Bit(RXD)}$	400	—	550	ns	Normal Mode, $t_{Bit(TXD)} = 500\text{ ns}$ (Note 1) $R_L = 60\Omega$, $C_L = 100\text{ pF}$
	$t_{Bit(RXD)}$	120	—	220	ns	Normal Mode, $t_{Bit(TXD)} = 200\text{ ns}$ $R_L = 60\Omega$, $C_L = 100\text{ pF}$
Recessive Bit Time on the Bus	$t_{Bit(Bus)}$	435	—	530	ns	Normal Mode, $t_{Bit(TXD)} = 500\text{ ns}$ (Note 1) $R_L = 60\Omega$, $C_L = 100\text{ pF}$
	$t_{Bit(Bus)}$	155	—	210	ns	Normal Mode, $t_{Bit(TXD)} = 200\text{ ns}$ $R_L = 60\Omega$, $C_L = 100\text{ pF}$

- Note 1:** 100% correlation tested.
Note 2: Characterized on samples.
Note 3: Design parameter.

ATA6564

TABLE 2-1: ELECTRICAL CHARACTERISTICS (CONTINUED)

Electrical Specifications: Grade 1: $T_{amb} = -40^{\circ}\text{C}$ to $+125^{\circ}\text{C}$, Grade 0: $T_{amb} = -40^{\circ}\text{C}$ to $+150^{\circ}\text{C}$, $T_{vj} \leq 170^{\circ}\text{C}$, $V_{VCC} = 4.5\text{V}$ to 5.5V ; $V_{VIO} = 2.8\text{V}$ to 5.5V ; $R_L = 60\Omega$, $C_L = 100\text{ pF}$, unless otherwise specified. All voltages are defined in relation to ground; positive currents flow into the IC.

Parameters	Sym.	Min.	Typ.	Max.	Units	Conditions
Receiver Timing Symmetry	Δt_{Rec}	-65	—	+40	ns	Normal mode, $t_{Bit(TXD)} = 500\text{ns}$ $\Delta t_{Rec} = t_{Bit(RXD)} - t_{Bit(Bus)}$ (Note 1) $R_L = 60\Omega$, $C_L = 100\text{ pF}$
	Δt_{Rec}	-45	—	+15	ns	Normal mode, $t_{Bit(TXD)} = 200\text{ns}$ $\Delta t_{Rec} = t_{Bit(RXD)} - t_{Bit(Bus)}$ $R_L = 60\Omega$, $C_L = 100\text{ pF}$

- Note 1:** 100% correlation tested.
2: Characterized on samples.
3: Design parameter.

TABLE 2-2: TEMPERATURE SPECIFICATIONS

Parameters	Sym.	Min.	Typ.	Max.	Units	Conditions
8-Pin SOIC						
Thermal Resistance Virtual Junction to Ambient	R_{thvJA}	—	145	—	K/W	
Thermal Shutdown of the Bus Drivers for ATA6564-GAQW1 (Grade 1)	T_{vJsd}	150	—	195	$^{\circ}\text{C}$	
Thermal Shutdown of the Bus Drivers for ATA6564-GAQW0 (Grade 0)	T_{vJsd}	170	—	195	$^{\circ}\text{C}$	
Thermal Shutdown Hysteresis	T_{vJsd_hys}	—	15	—	$^{\circ}\text{C}$	
8-Pin VDFN						
Thermal Resistance Virtual Junction to Heat Slug	R_{thvJC}	—	10	—	K/W	
Thermal Resistance Virtual Junction to Ambient, where Heat Slug is soldered to PCB according to JEDEC	R_{thvJA}	—	50	—	K/W	
Thermal Shutdown of the Bus Drivers for ATA6564-GBQW1 (Grade 1)	T_{vJsd}	150	—	195	$^{\circ}\text{C}$	
Thermal Shutdown of the Bus Drivers for ATA6564-GBQW0 (Grade 0)	T_{vJsd}	170	—	195	$^{\circ}\text{C}$	
Thermal Shutdown Hysteresis	T_{vJsd_hys}	—	15	—	$^{\circ}\text{C}$	

FIGURE 2-1: TIMING TEST CIRCUIT FOR THE ATA6564 CAN TRANSCEIVER

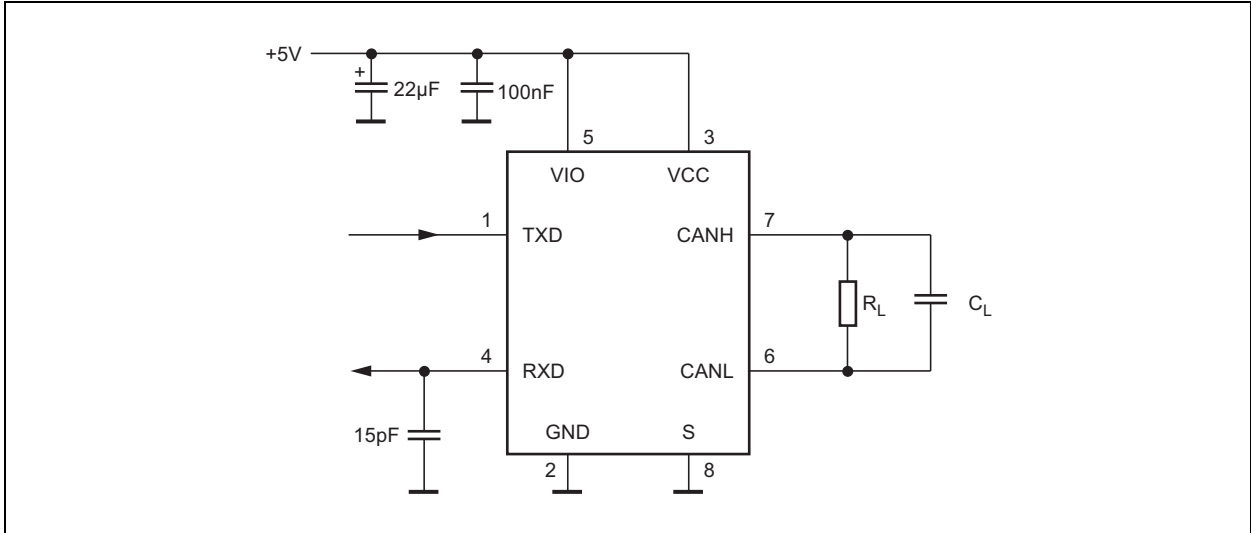
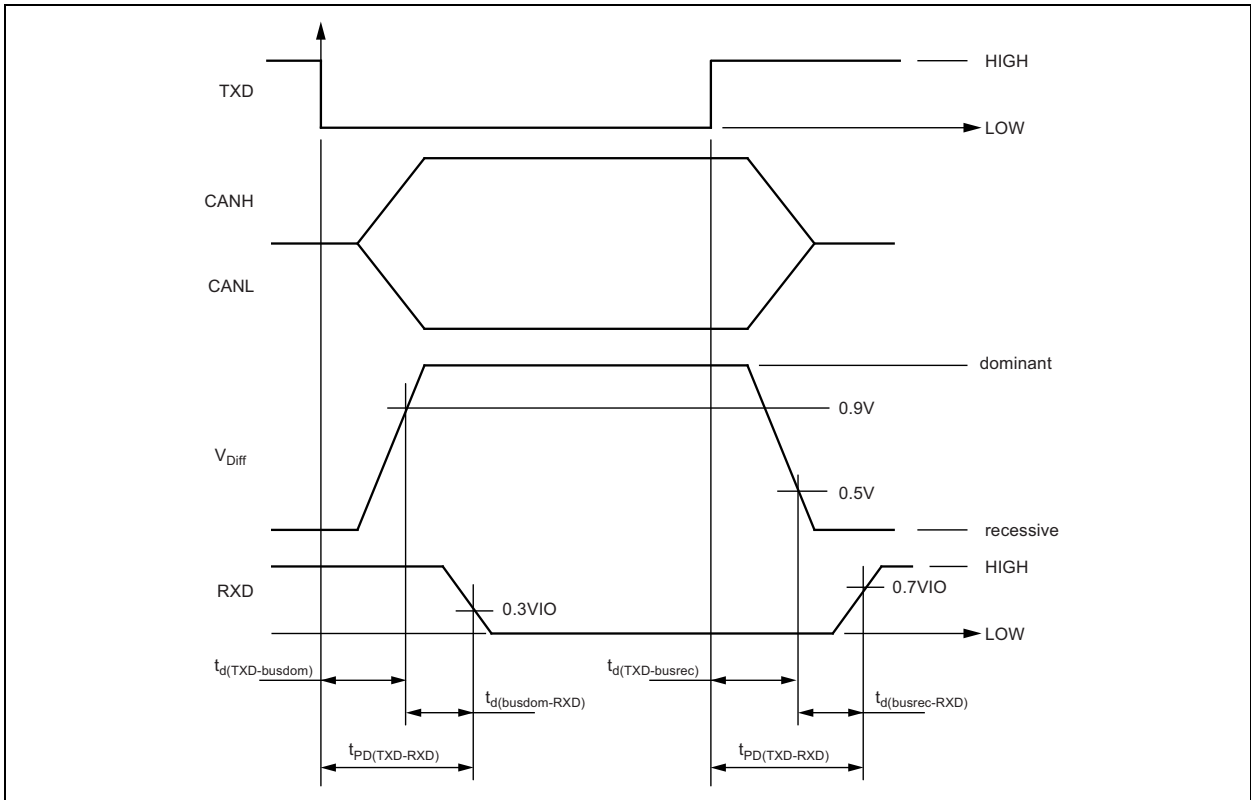
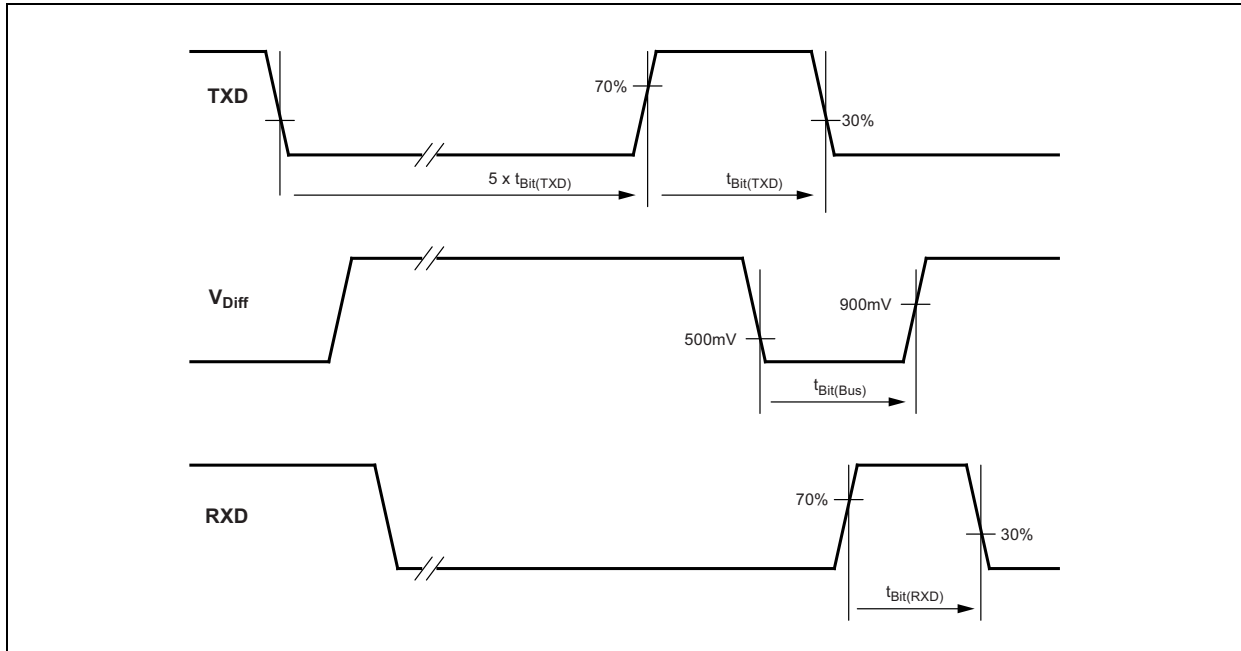


FIGURE 2-2: CAN TRANSCEIVER TIMING DIAGRAM 1



ATA6564

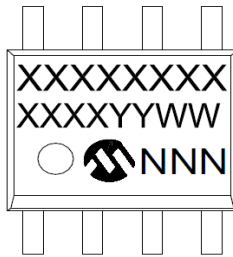
FIGURE 2-3: CAN TRANSCEIVER TIMING DIAGRAM 2



3.0 PACKAGING INFORMATION

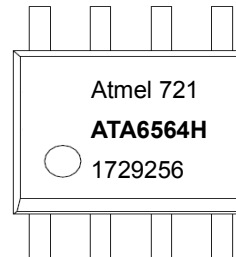
3.1 Package Marking Information

8-Lead SOIC

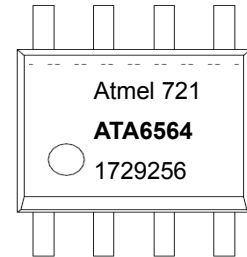


Example

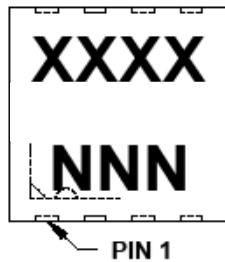
Grade 0



Grade 1

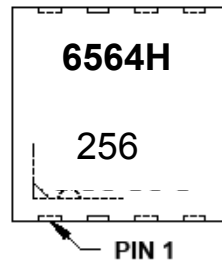


8-Lead VDFN 3 X 3 mm

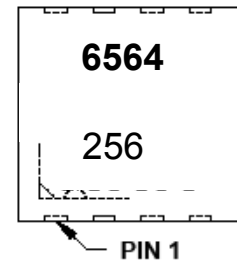


Example

Grade 0



Grade 1



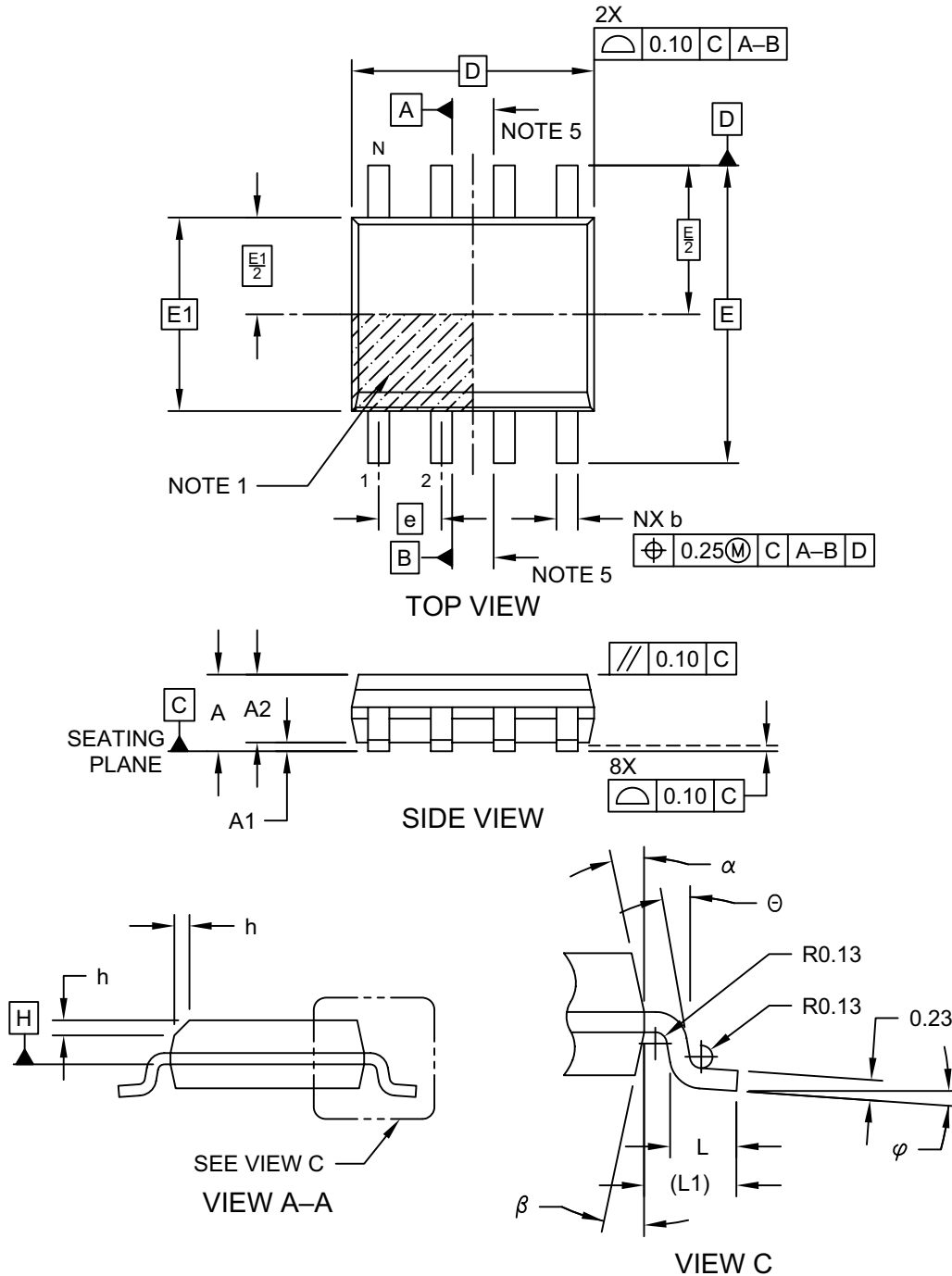
Legend:	XX...X	Customer-specific information
	Y	Year code (last digit of calendar year)
	YY	Year code (last 2 digits of calendar year)
	WW	Week code (week of January 1 is week '01')
	NNN	Alphanumeric traceability code
	(e3)	Pb-free JEDEC designator for Matte Tin (Sn)
	*	This package is Pb-free. The Pb-free JEDEC designator (e3) can be found on the outer packaging for this package.

Note: In the event the full Microchip part number cannot be marked on one line, it will be carried over to the next line, thus limiting the number of available characters for customer-specific information.

ATA6564

8-Lead Plastic Small Outline (SN) - Narrow, 3.90 mm (.150 In.) Body [SOIC]

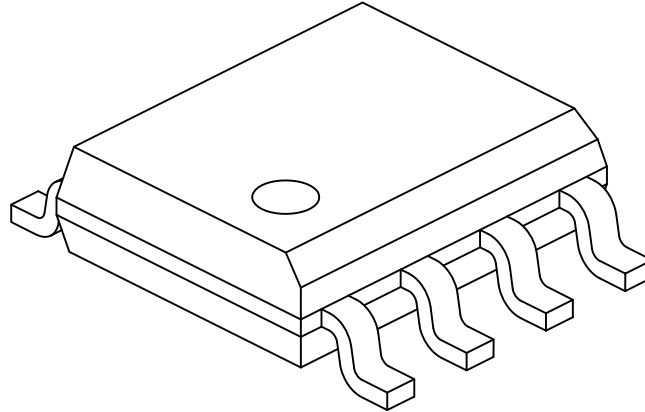
Note: For the most current package drawings, please see the Microchip Packaging Specification located at <http://www.microchip.com/packaging>



Microchip Technology Drawing No. C04-057-SN Rev D Sheet 1 of 2

8-Lead Plastic Small Outline (SN) - Narrow, 3.90 mm (.150 In.) Body [SOIC]

Note: For the most current package drawings, please see the Microchip Packaging Specification located at <http://www.microchip.com/packaging>



Dimension Limits	Units	MILLIMETERS		
		MIN	NOM	MAX
Number of Pins	N	8		
Pitch	e	1.27 BSC		
Overall Height	A	-	-	1.75
Molded Package Thickness	A2	1.25	-	-
Standoff §	A1	0.10	-	0.25
Overall Width	E	6.00 BSC		
Molded Package Width	E1	3.90 BSC		
Overall Length	D	4.90 BSC		
Chamfer (Optional)	h	0.25	-	0.50
Foot Length	L	0.40	-	1.27
Footprint	L1	1.04 REF		
Foot Angle	φ	0°	-	8°
Lead Thickness	c	0.17	-	0.25
Lead Width	b	0.31	-	0.51
Mold Draft Angle Top	α	5°	-	15°
Mold Draft Angle Bottom	β	5°	-	15°

Notes:

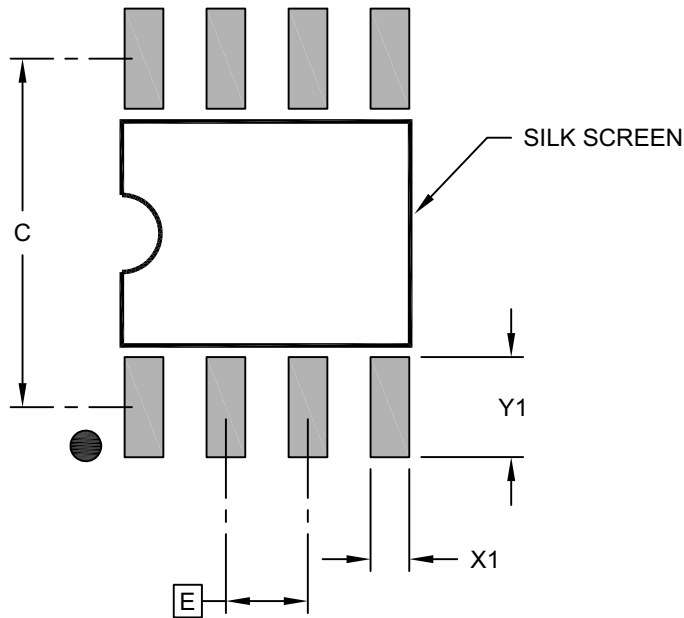
- Pin 1 visual index feature may vary, but must be located within the hatched area.
- § Significant Characteristic
- Dimensions D and E1 do not include mold flash or protrusions. Mold flash or protrusions shall not exceed 0.15mm per side.
- Dimensioning and tolerancing per ASME Y14.5M
 - BSC: Basic Dimension. Theoretically exact value shown without tolerances.
 - REF: Reference Dimension, usually without tolerance, for information purposes only.
- Datums A & B to be determined at Datum H.

Microchip Technology Drawing No. C04-057-SN Rev D Sheet 2 of 2

ATA6564

8-Lead Plastic Small Outline (SN) - Narrow, 3.90 mm Body [SOIC]

Note: For the most current package drawings, please see the Microchip Packaging Specification located at <http://www.microchip.com/packaging>



RECOMMENDED LAND PATTERN

Dimension Limits	Units	MILLIMETERS		
		MIN	NOM	MAX
Contact Pitch	E		1.27 BSC	
Contact Pad Spacing	C		5.40	
Contact Pad Width (X8)	X1			0.60
Contact Pad Length (X8)	Y1			1.55

Notes:

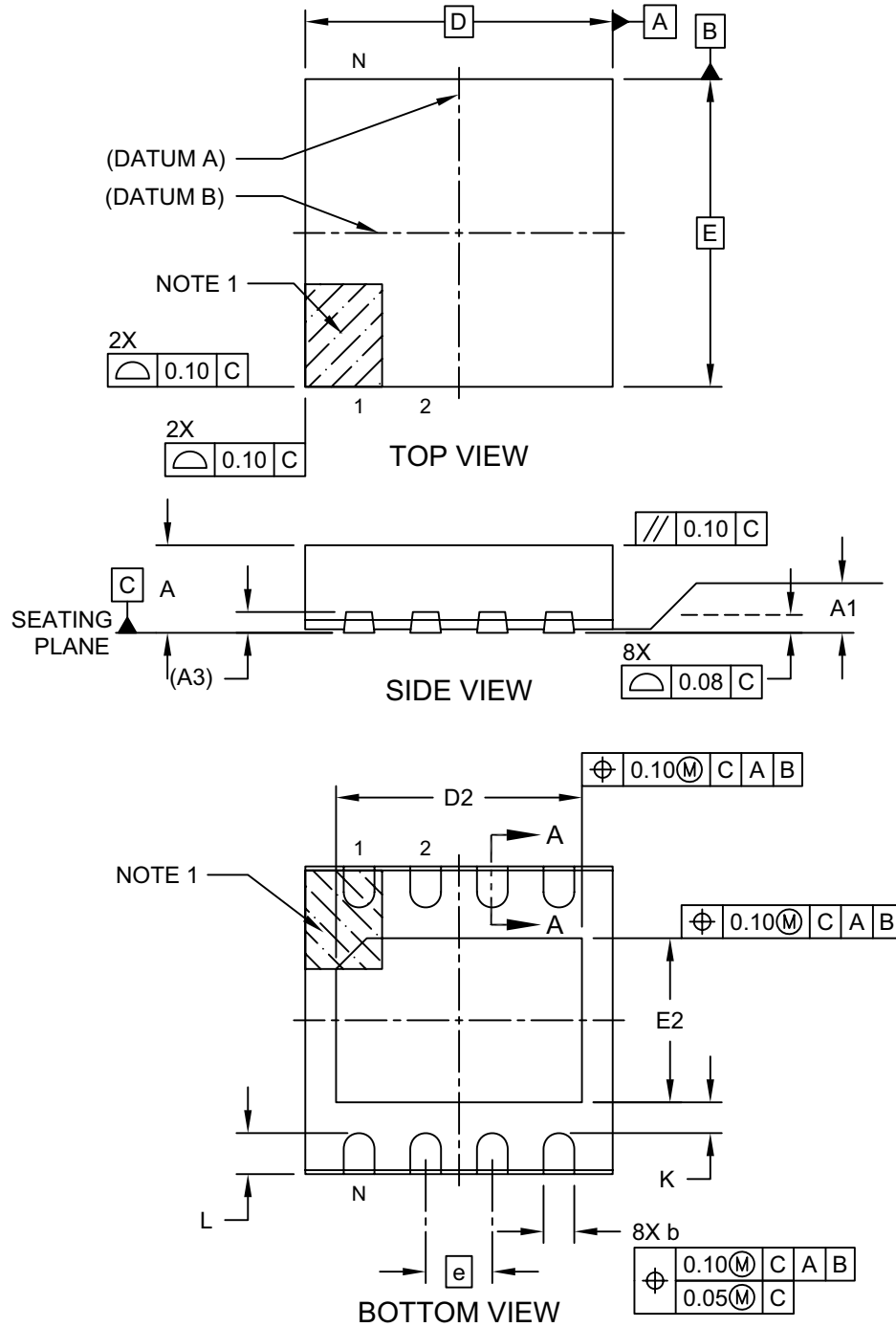
1. Dimensioning and tolerancing per ASME Y14.5M

BSC: Basic Dimension. Theoretically exact value shown without tolerances.

Microchip Technology Drawing C04-2057-SN Rev B

8-Lead Very Thin Plastic Dual Flat, No Lead Package (Q8B) - 3x3 mm Body [VDFN] With 2.40x1.60 mm Exposed Pad and Stepped Wettable Flanks

Note: For the most current package drawings, please see the Microchip Packaging Specification located at <http://www.microchip.com/packaging>

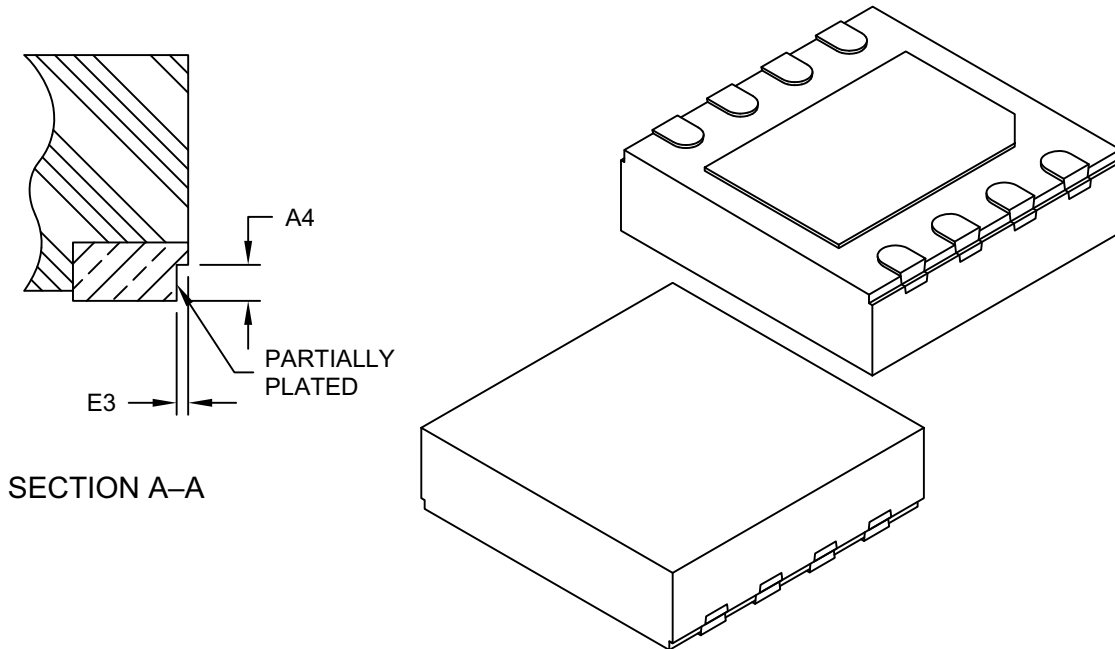


Microchip Technology Drawing C04-21358 Rev B Sheet 1 of 2

ATA6564

8-Lead Very Thin Plastic Dual Flat, No Lead Package (Q8B) - 3x3 mm Body [VDFN] With 2.40x1.60 mm Exposed Pad and Stepped Wettable Flanks

Note: For the most current package drawings, please see the Microchip Packaging Specification located at <http://www.microchip.com/packaging>



Dimension Limits	Units	MILLIMETERS		
		MIN	NOM	MAX
Number of Terminals	N	8		
Pitch	e	0.65 BSC		
Overall Height	A	0.80	0.85	0.90
Standoff	A1	0.00	0.03	0.05
Terminal Thickness	A3	0.203 REF		
Overall Length	D	3.00 BSC		
Exposed Pad Length	D2	2.30	2.40	2.50
Overall Width	E	3.00 BSC		
Exposed Pad Width	E2	1.50	1.60	1.70
Terminal Width	b	0.25	0.30	0.35
Terminal Length	L	0.35	0.40	0.45
Terminal-to-Exposed-Pad	K	0.20	-	-
Wettable Flank Step Cut Depth	A4	0.10	0.13	0.15
Wettable Flank Step Cut Width	E3	-	-	0.04

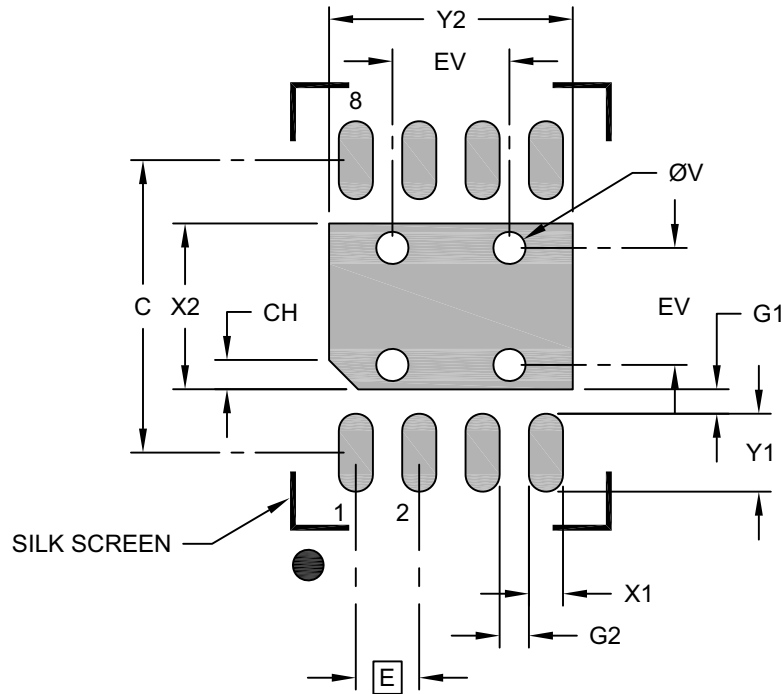
Notes:

- Pin 1 visual index feature may vary, but must be located within the hatched area.
- Package is saw singulated
- Dimensioning and tolerancing per ASME Y14.5M
 - BSC: Basic Dimension. Theoretically exact value shown without tolerances.
 - REF: Reference Dimension, usually without tolerance, for information purposes only.

Microchip Technology Drawing C04-21358 Rev B Sheet 2 of 2

8-Lead Very Thin Plastic Dual Flat, No Lead Package (Q8B) - 3x3 mm Body [VDFN] With 2.40x1.60 mm Exposed Pad and Stepped Wettable Flanks

Note: For the most current package drawings, please see the Microchip Packaging Specification located at <http://www.microchip.com/packaging>



RECOMMENDED LAND PATTERN

Dimension Limits	Units	MILLIMETERS		
		MIN	NOM	MAX
Contact Pitch	E	0.65 BSC		
Optional Center Pad Width	X2			1.70
Optional Center Pad Length	Y2			2.50
Contact Pad Spacing	C		3.00	
Contact Pad Width (X8)	X1			0.35
Contact Pad Length (X8)	Y1			0.80
Contact Pad to Center Pad (X8)	G1	0.20		
Contact Pad to Contact Pad (X6)	G2	0.20		
Pin 1 Index Chamfer	CH	0.20		
Thermal Via Diameter	V		0.33	
Thermal Via Pitch	EV		1.20	

Notes:

- Dimensioning and tolerancing per ASME Y14.5M
BSC: Basic Dimension. Theoretically exact value shown without tolerances.
- For best soldering results, thermal vias, if used, should be filled or tented to avoid solder loss during reflow process

Microchip Technology Drawing C04-23358 Rev B

ATA6564

NOTES:

APPENDIX A: REVISION HISTORY

Revision C (August 2019)

The following is the list of modifications:

1. Updated [TABLE 2-2: “Temperature Specifications”](#).
2. Added test conditions at several parameters in [TABLE 2-1: “Electrical Characteristics”](#).

Revision B (July 2017)

The following is the list of modifications:

3. Added the new device ATA6564-GBQW0 and updated the related information across the document.
4. Updated [ATA6564 Family Members Table](#).
5. Corrected [TABLE 2-1: Electrical Characteristics](#).
6. Updated [TABLE 2-2: Temperature Specifications](#).
7. Updated the VDFN8 package drawing and added a Grade 0 package example to [Section 3.1, Package Marking Information](#).
8. Added a ATA6564-GBQW0 example to [“Product Identification System”](#) section.
9. Various typographical edits.

Revision A (June 2017)

- Original release of this document.

ATA6564

NOTES:

PRODUCT IDENTIFICATION SYSTEM

To order or obtain information, e.g., on pricing or delivery, contact your local Microchip representative or sales office.

<u>PART NO.</u>	<u>XX</u>	<u>[X]⁽¹⁾</u>	<u>X</u>	<u>X</u>
Device	Package	Tape and Reel Option	Package directives classification	Temperature Range
Device:	ATA6564:		High-speed CAN Transceiver with Silent Mode CAN FD Ready	
Package:	GA =		8-Lead SOIC	
	GB =		8-Lead VDFN	
Tape and Reel Option:	Q =		330 mm diameter Tape and Reel	
Package directives classification:	W =		Package according to RoHS ⁽²⁾	
Temperature Range:	0 =		Temperature Grade 0 (-40°C to +150°C)	
	1 =		Temperature Grade 1 (-40°C to +125°C)	

Examples:	
a) ATA6564-GAQW0:	ATA6564, 8-Lead SOIC, Tape and Reel, package according to RoHS, Temperature Grade 0
b) ATA6564-GBQW0:	ATA6564, 8-Lead VDFN, Tape and Reel, package according to RoHS, Temperature Grade 0
c) ATA6564-GAQW1:	ATA6564, 8-Lead SOIC, Tape and Reel, package according to RoHS, Temperature Grade 1
d) ATA6564-GBQW1:	ATA6564, 8-Lead VDFN, Tape and Reel, package according to RoHS, Temperature Grade 1

Note 1:	Tape and Reel identifier only appears in the catalog part number description. This identifier is used for ordering purposes and is not printed on the device package. Check with your Microchip Sales Office for package availability with the Tape and Reel option.
Note 2:	RoHS compliant, Maximum concentration value of 0.09% (900 ppm) for Bromine (Br) and Chlorine (Cl) and less than 0.15% (1500 ppm) total Bromine (Br) and Chlorine (Cl) in any homogeneous material. Maximum concentration value of 0.09% (900 ppm) for Antimony (Sb) in any homogeneous material.

ATA6564

NOTES:

Note the following details of the code protection feature on Microchip devices:

- Microchip products meet the specification contained in their particular Microchip Data Sheet.
- Microchip believes that its family of products is one of the most secure families of its kind on the market today, when used in the intended manner and under normal conditions.
- There are dishonest and possibly illegal methods used to breach the code protection feature. All of these methods, to our knowledge, require using the Microchip products in a manner outside the operating specifications contained in Microchip's Data Sheets. Most likely, the person doing so is engaged in theft of intellectual property.
- Microchip is willing to work with the customer who is concerned about the integrity of their code.
- Neither Microchip nor any other semiconductor manufacturer can guarantee the security of their code. Code protection does not mean that we are guaranteeing the product as “unbreakable.”

Code protection is constantly evolving. We at Microchip are committed to continuously improving the code protection features of our products. Attempts to break Microchip's code protection feature may be a violation of the Digital Millennium Copyright Act. If such acts allow unauthorized access to your software or other copyrighted work, you may have a right to sue for relief under that Act.

Information contained in this publication regarding device applications and the like is provided only for your convenience and may be superseded by updates. It is your responsibility to ensure that your application meets with your specifications. MICROCHIP MAKES NO REPRESENTATIONS OR WARRANTIES OF ANY KIND WHETHER EXPRESS OR IMPLIED, WRITTEN OR ORAL, STATUTORY OR OTHERWISE, RELATED TO THE INFORMATION, INCLUDING BUT NOT LIMITED TO ITS CONDITION, QUALITY, PERFORMANCE, MERCHANTABILITY OR FITNESS FOR PURPOSE. Microchip disclaims all liability arising from this information and its use. Use of Microchip devices in life support and/or safety applications is entirely at the buyer's risk, and the buyer agrees to defend, indemnify and hold harmless Microchip from any and all damages, claims, suits, or expenses resulting from such use. No licenses are conveyed, implicitly or otherwise, under any Microchip intellectual property rights unless otherwise stated.

Trademarks

The Microchip name and logo, the Microchip logo, Adaptec, AnyRate, AVR, AVR logo, AVR Freaks, BesTime, BitCloud, chipKIT, chipKIT logo, CryptoMemory, CryptoRF, dsPIC, FlashFlex, flexPWR, HELDO, IGLOO, JukeBlox, KeeLoq, Klear, LANCheck, LinkMD, maXStylus, maXTouch, MediaLB, megaAVR, Microsemi, Microsemi logo, MOST, MOST logo, MPLAB, OptoLyzer, PackeTime, PIC, picoPower, PICSTART, PIC32 logo, PolarFire, Prochip Designer, QTouch, SAM-BA, SenGenuity, SpyNIC, SST, SST Logo, SuperFlash, Symmetricom, SyncServer, Tachyon, TempTrackr, TimeSource, tinyAVR, UNI/O, Vectron, and XMEGA are registered trademarks of Microchip Technology Incorporated in the U.S.A. and other countries.

APT, ClockWorks, The Embedded Control Solutions Company, EtherSynch, FlashTec, Hyper Speed Control, HyperLight Load, IntelliMOS, Libero, motorBench, mTouch, Powermite 3, Precision Edge, ProASIC, ProASIC Plus, ProASIC Plus logo, Quiet-Wire, SmartFusion, SyncWorld, Temux, TimeCesium, TimeHub, TimePictra, TimeProvider, Vite, WinPath, and ZL are registered trademarks of Microchip Technology Incorporated in the U.S.A.

Adjacent Key Suppression, AKS, Analog-for-the-Digital Age, Any Capacitor, AnyIn, AnyOut, BlueSky, BodyCom, CodeGuard, CryptoAuthentication, CryptoAutomotive, CryptoCompanion, CryptoController, dsPICDEM, dsPICDEM.net, Dynamic Average Matching, DAM, ECAN, EtherGREEN, In-Circuit Serial Programming, ICSP, INICnet, Inter-Chip Connectivity, JitterBlocker, KlearNet, KlearNet logo, memBrain, Mindi, MiWi, MPASM, MPF, MPLAB Certified logo, MPLIB, MPLINK, MultiTRAK, NetDetach, Omniscient Code Generation, PICDEM, PICDEM.net, PICKit, PICtail, PowerSmart, PureSilicon, QMatrix, REAL ICE, Ripple Blocker, SAM-ICE, Serial Quad I/O, SMART-I.S., SQI, SuperSwitcher, SuperSwitcher II, Total Endurance, TSHARC, USBCheck, VariSense, ViewSpan, WiperLock, Wireless DNA, and ZENA are trademarks of Microchip Technology Incorporated in the U.S.A. and other countries.

SQTP is a service mark of Microchip Technology Incorporated in the U.S.A.

The Adaptec logo, Frequency on Demand, Silicon Storage Technology, and Symmcom are registered trademarks of Microchip Technology Inc. in other countries.

GestIC is a registered trademark of Microchip Technology Germany II GmbH & Co. KG, a subsidiary of Microchip Technology Inc., in other countries.

All other trademarks mentioned herein are property of their respective companies.

© 2019, Microchip Technology Incorporated, All Rights Reserved.

ISBN: 978-1-5224-4978-2

For information regarding Microchip's Quality Management Systems, please visit www.microchip.com/quality.



MICROCHIP

Worldwide Sales and Service

AMERICAS

Corporate Office
2355 West Chandler Blvd.
Chandler, AZ 85224-6199
Tel: 480-792-7200
Fax: 480-792-7277
Technical Support:
<http://www.microchip.com/support>
Web Address:
www.microchip.com

Atlanta

Duluth, GA
Tel: 678-957-9614
Fax: 678-957-1455

Austin, TX

Tel: 512-257-3370

Boston

Westborough, MA
Tel: 774-760-0087
Fax: 774-760-0088

Chicago

Itasca, IL
Tel: 630-285-0071
Fax: 630-285-0075

Dallas

Addison, TX
Tel: 972-818-7423
Fax: 972-818-2924

Detroit

Novi, MI
Tel: 248-848-4000

Houston, TX

Tel: 281-894-5983

Indianapolis

Noblesville, IN
Tel: 317-773-8323
Fax: 317-773-5453
Tel: 317-536-2380

Los Angeles

Mission Viejo, CA
Tel: 949-462-9523
Fax: 949-462-9608
Tel: 951-273-7800

Raleigh, NC

Tel: 919-844-7510

New York, NY

Tel: 631-435-6000

San Jose, CA

Tel: 408-735-9110
Tel: 408-436-4270

Canada - Toronto

Tel: 905-695-1980
Fax: 905-695-2078

ASIA/PACIFIC

Australia - Sydney
Tel: 61-2-9868-6733

China - Beijing
Tel: 86-10-8569-7000

China - Chengdu
Tel: 86-28-8665-5511

China - Chongqing
Tel: 86-23-8980-9588

China - Dongguan
Tel: 86-769-8702-9880

China - Guangzhou
Tel: 86-20-8755-8029

China - Hangzhou
Tel: 86-571-8792-8115

China - Hong Kong SAR
Tel: 852-2943-5100

China - Nanjing
Tel: 86-25-8473-2460

China - Qingdao
Tel: 86-532-8502-7355

China - Shanghai
Tel: 86-21-3326-8000

China - Shenyang
Tel: 86-24-2334-2829

China - Shenzhen
Tel: 86-755-8864-2200

China - Suzhou
Tel: 86-186-6233-1526

China - Wuhan
Tel: 86-27-5980-5300

China - Xian
Tel: 86-29-8833-7252

China - Xiamen
Tel: 86-592-2388138

China - Zhuhai
Tel: 86-756-3210040

ASIA/PACIFIC

India - Bangalore
Tel: 91-80-3090-4444

India - New Delhi
Tel: 91-11-4160-8631

India - Pune
Tel: 91-20-4121-0141

Japan - Osaka
Tel: 81-6-6152-7160

Japan - Tokyo
Tel: 81-3-6880-3770

Korea - Daegu
Tel: 82-53-744-4301

Korea - Seoul
Tel: 82-2-554-7200

Malaysia - Kuala Lumpur
Tel: 60-3-7651-7906

Malaysia - Penang
Tel: 60-4-227-8870

Philippines - Manila
Tel: 63-2-634-9065

Singapore
Tel: 65-6334-8870

Taiwan - Hsin Chu
Tel: 886-3-577-8366

Taiwan - Kaohsiung
Tel: 886-7-213-7830

Taiwan - Taipei
Tel: 886-2-2508-8600

Thailand - Bangkok
Tel: 66-2-694-1351

Vietnam - Ho Chi Minh
Tel: 84-28-5448-2100

EUROPE

Austria - Wels
Tel: 43-7242-2244-39
Fax: 43-7242-2244-393

Denmark - Copenhagen
Tel: 45-4450-2828
Fax: 45-4485-2829

Finland - Espoo
Tel: 358-9-4520-820

France - Paris
Tel: 33-1-69-53-63-20
Fax: 33-1-69-30-90-79

Germany - Garching
Tel: 49-8931-9700

Germany - Haan
Tel: 49-2129-3766400

Germany - Heilbronn
Tel: 49-7131-72400

Germany - Karlsruhe
Tel: 49-721-625370

Germany - Munich
Tel: 49-89-627-144-0
Fax: 49-89-627-144-44

Germany - Rosenheim
Tel: 49-8031-354-560

Israel - Ra'anana
Tel: 972-9-744-7705

Italy - Milan
Tel: 39-0331-742611
Fax: 39-0331-466781

Italy - Padova
Tel: 39-049-7625286

Netherlands - Drunen
Tel: 31-416-690399
Fax: 31-416-690340

Norway - Trondheim
Tel: 47-7288-4388

Poland - Warsaw
Tel: 48-22-3325737

Romania - Bucharest
Tel: 40-21-407-87-50

Spain - Madrid
Tel: 34-91-708-08-90
Fax: 34-91-708-08-91

Sweden - Gothenberg
Tel: 46-31-704-60-40

Sweden - Stockholm
Tel: 46-8-5090-4654

UK - Wokingham
Tel: 44-118-921-5800
Fax: 44-118-921-5820