

RJ45 Single Port 10GBase-T Magnetic Module



ARJM11H-A1750ZADWCB

32.6 x 16.6 x 13.5 mm
RoHS/RoHS II Compliant
MSL = 1

Features

- Single Port RJ45 with Magnetics
- Supports speed up to 10 Gbps
- Operating temperature range up to -40°C to +85°C
- Different Gold plating options
- Compatible with major IC's for Ethernet applications
- High performance magnetics for EMI suppression and common mode noise rejection
- 1CT:1CT TX and RX Transformers

Applications

- Fast and gigabit Ethernet
- Hubs, Servers, Switches, Routers, Access points
- IP cameras, surveillance, and phone
- Industrial computers and robotics
- Networking and communications
- Broadcast video
- Set top box
- Test and Measurement

Electrical Specifications

Parameters	Minimum	Typical	Maximum	Units	Notes
Inductance	200			μH	100 kHz, 0.1V
Leakage Inductance			0.3	μH	100 kHz, 0.1V
DC Resistance			1.5	Ω	
Hi-pot	1500			VDC	0.5 mA / 60 s
	1650				0.5 mA / 2 s
Insertion Loss			2.0	dB	1-400 MHz
Return Loss	22			dB	1-40 MHz
	17- $18.27 * \log(f^*/100)$				40-500 MHz
Crosstalk	30			dB	1-100 MHz
	20				100-500 MHz
CMR	30			dB	1-250 MHz
	22				250-500 MHz
Turn Ratio	1CT:1CT				± 3 %

*f represents the test frequency specified in MHz



5101 Hidden Creek Ln Spicewood TX 78669
Phone: 512-371-6159 | Fax: 512-351-8858
For terms and conditions of sales, please visit:
www.abracon.com

REVISED: 10.04.2019

ABRACON IS
ISO9001-2015
CERTIFIED

RJ45 Single Port 10GBase-T Magnetic Module



ARJM11H-A1750ZADWCB

32.6 x 16.6 x 13.5 mm
RoHS/RoHS II Compliant
MSL = 1

Material Specifications

Parameter	Specification		Image
Housing	Material (Housing)	Nylon 66, Black	
	Material (Plug into housing)	PBT +30%GF	
	Flammability Rating	UL94V-0	
Insert	Material	QSn6.5-0.1, 0.35 mm	
	Plating (1)	Nickel	
	Plating (2)	100% Sn	
Contact	Plating (3)	50 u" Gold*	
	Material	QSn6.5-0.1, 0.35 mm	
	Plating (1)	Nickel	
Shield	Plating (2)	100 % Sn	
	Material	Brass H65Y	
	Plating	Nickel	

*For alternative Gold plating thickness, please contact ABRACON.

Environmental Specifications

Parameters	Specification
RoHS	RoHS Compliant
MSL	1
Operating Temperature	-40 to +85 °C
Storage Temperature	-40 to +85 °C
Operating Life	750 cycles (min)



5101 Hidden Creek Ln Spicewood TX 78669
Phone: 512-371-6159 | Fax: 512-351-8858
For terms and conditions of sales, please visit:
www.abracon.com

REVISED: 10.04.2019

ABRACON IS
ISO9001-2015
CERTIFIED

RJ45 Single Port 10GBase-T Magnetic Module

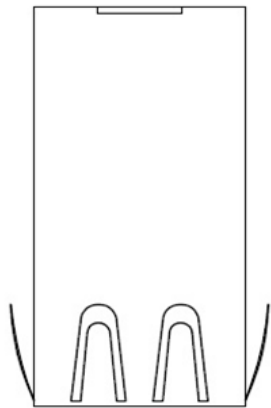


ARJM11H-A1750ZADWCB

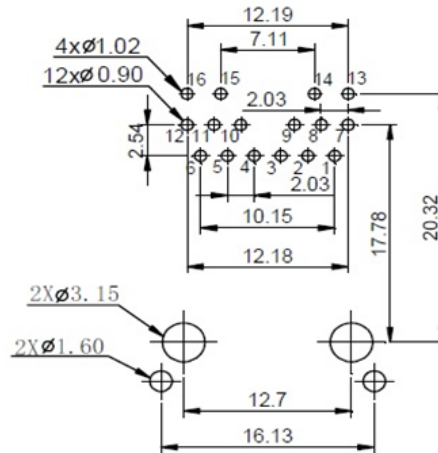
32.6 x 16.6 x 13.5 mm
RoHS/RoHS II Compliant
MSL = 1

Mechanical Dimensions

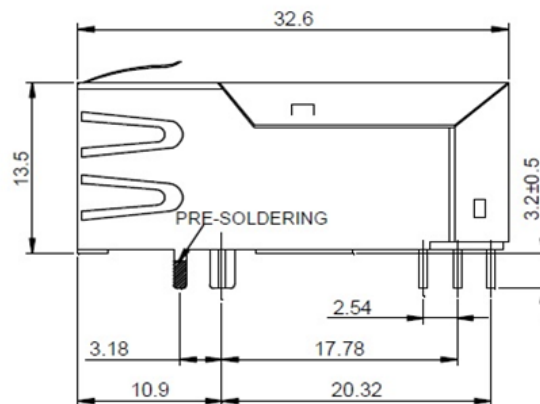
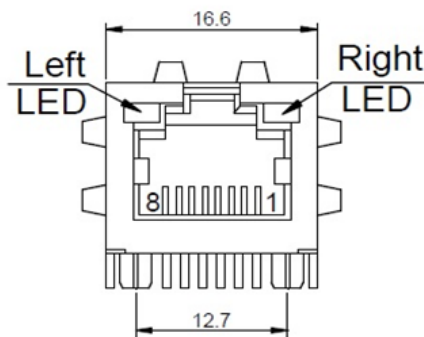
W Shield, W EMI Fingers, Tab UP



Pin Layout



PC Board Layout
Component Side Shown



Dimensions: mm[inch]
(Unless otherwise specified, all tolerances are ±0.25)



5101 Hidden Creek Ln Spicewood TX 78669
Phone: 512-371-6159 | Fax: 512-351-8858
For terms and conditions of sales, please visit:
www.abracon.com

REVISED: 10.04.2019

ABRACON IS
ISO9001-2015
CERTIFIED

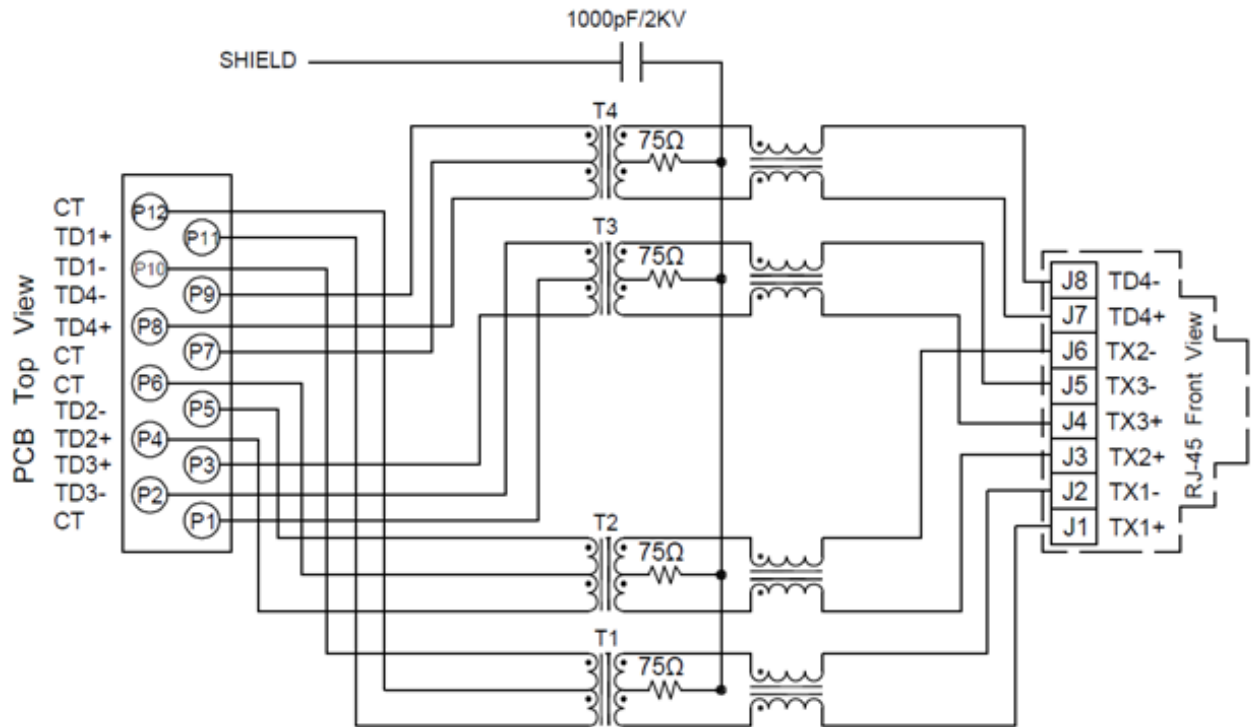
RJ45 Single Port 10GBase-T Magnetic Module



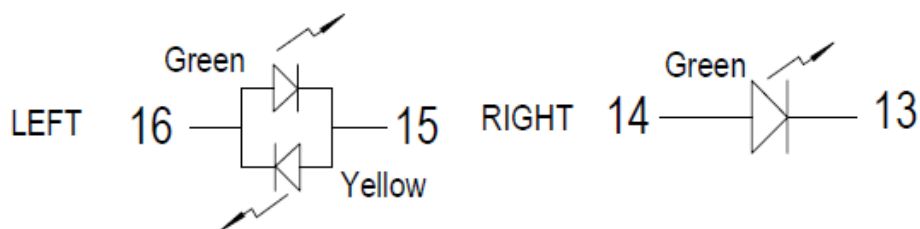
ARJM11H-A1750ZADWCB

32.6 x 16.6 x 13.5 mm
RoHS/RoHS II Compliant
MSL = 1

Schematic



LED Specification. @ 20mA Forward Current



LED Color	Wavelength	Forward Voltage	
		Typ.	Max.
Green	565 nm	2.2 V	2.5 V
Yellow	585 nm	2.1 V	2.5 V

*For alternative LED colors, please contact ABRACON.



5101 Hidden Creek Ln Spicewood TX 78669
Phone: 512-371-6159 | Fax: 512-351-8858
For terms and conditions of sales, please visit:
www.abracon.com

REVISED: 10.04.2019

ABRACON IS
ISO9001-2015
CERTIFIED

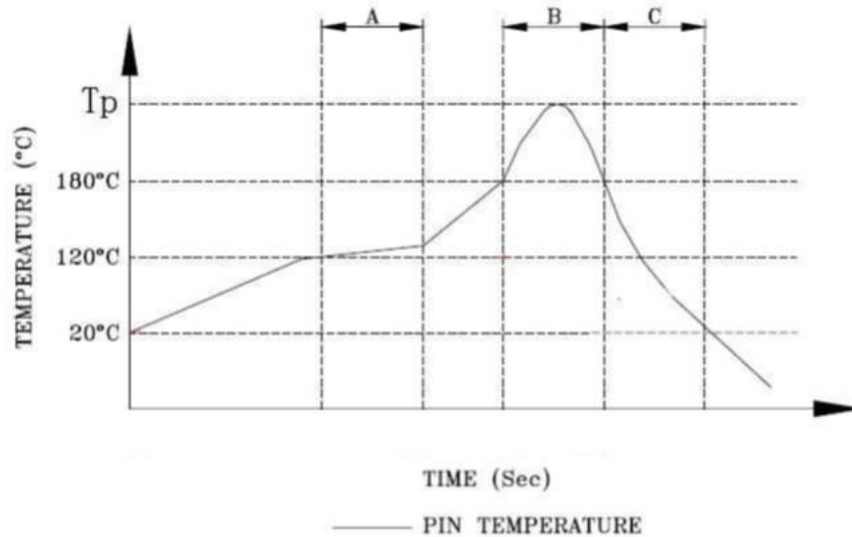
RJ45 Single Port 10GBase-T Magnetic Module



ARJM11H-A1750ZADWCB

32.6 x 16.6 x 13.5 mm
RoHS/RoHS II Compliant
MSL = 1

Wave Soldering Profile



A. Preheating B. Soldering C. Gradual Cooling

Peak Temperature (T_p) = $250^{\circ}\text{C} \pm 10^{\circ}\text{C}$

Peak Time (t_p) = 5 s (max)

Packaging

Pieces per Carton : 840

Bulk/Tray per Carton : 14

Pieces per Bulk/Tray: 60

Dimension of the Carton: 310 x 240 x 150 mm

ATTENTION: Abracon LLC's products are COTS – Commercial-Off-The-Shelf products; suitable for Commercial, Industrial and, where designated, Automotive Applications. Abracon's products are not specifically designed for Military, Aviation, Aerospace, Life-dependent Medical applications or any application requiring high reliability where component failure could result in loss of life and/or property. For applications requiring high reliability and/or presenting an extreme operating environment, written consent and authorization from Abracon LLC is required. Please contact Abracon LLC for more information.



5101 Hidden Creek Ln Spicewood TX 78669
Phone: 512-371-6159 | Fax: 512-351-8858
For terms and conditions of sales, please visit:
www.abracon.com

REVISED: 10.04.2019

ABRACON IS
ISO9001-2015
CERTIFIED