

Core range					
8638PPS4005	8638PPS4005LF	40	8	Section 8.98 mm ² Ø Ame 3.90 mm	blue
8638PPS2005	8638PPS2005LF	20	12	Section 3.18 mm ² Ø Ame 2.40 mm	red
8638PPS1005	8638PPS1005LF	10	16	Section 1.34 mm ² Ø Ame 1.50 mm	black
TIN LEAD PART NUMBER	LEAD FREE PART NUMBER	CURRENT max A	AWG WIRES	mm ² WIRE AREA	COLOUR CLIP
			ØA	ØB	
			+0.10 -0	+0.10 -0	

NOTE: RoHS INFORMATION:
 - The "LF" products meet European Union Directives and other country regulations as described in 65-22-008.
 - Termination plating spec: Cu 2 +0 +2 µm, Sn 3 +0 +3µm (pure matte)
 - Packaging spec: see 65-14-920 contact: CuZn40 P63 1µNi+gold

Materials and finish for TIN LEAD

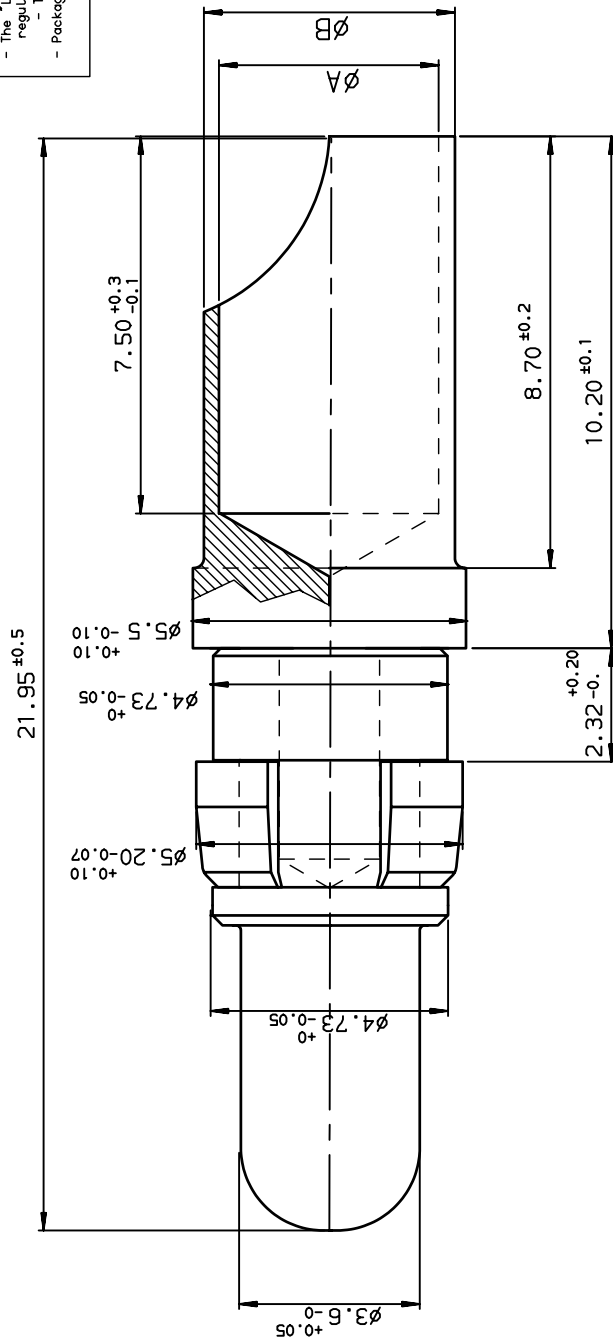
contact: CuZn40 P63 1µNi+gold
 Solder buckets: CuZn38Pb3 2µNi+2.5µPb mini
 clip : plastic

Technical characteristics

Peak voltage: 750Veff.
 Operating voltage: 500Veff.
 Temperature range: -55°C +125°C
 Packaging per: 100
 Current capability see table

Mechanical characteristics:

Mechanical endurance : > 200 matings/unmatings .
 Contact insertion force in insulator:
 60N maxi in a hole of 4.80mm
Examination of product:
 Remove all burrs and sharp edges 0.08 maxi
 No scratch on all pieces



www.fciconnect.com

tolerance std ISO 406 ISO 1101

projection

size A3

Scale 10

ECN L508-0029

Product family D-SUB Spec ref -

Dr JARRY 1994/12/12

Eng PESSON 1994/12/12

Chr LEGARE 1994/12/12

Appr LEGARE 1994/12/12

surface ISO 1302

tolerances unless otherwise specified

ANGULAR 0.X ±0.1

LINEAR 0.XX ±0.1

ANGULAR 0.XX ±2°

LINEAR 0.XXX ±0.1

FCI logo

MALE POWER CONTACT FOR SOLDER CONNECTION

Rev. C01-8638-0334-1

CUSTOMER sheet 1 of 1

rev	ech no	dr	date
D	-	BAR	2003/04/17
E	L505-005	MPE	2005/04/05
F	L506-0097	LGO	2006/07/27
G	L508-0029	MPE	2008/01/28
-	-	-	-
-	-	-	-
-	-	-	-

title	catalog no
MALE POWER CONTACT FOR SOLDER CONNECTION	
Product family	D-SUB
Spec ref	-
Rev.	C01-8638-0334-1
Customer sheet	1 of 1