

PLATING ACTIVE ZONE		CHARACTERISTICS						
500 mating/unmating Ni: 2 µm 0/+2 µm Au: 1.27 µm min	500 mating/unmating Cu flash Ni P : 2 µm 0/+2 µm Au: 0.2 µm min (equivalent 0.8 µm Au)	200 mating/unmating Cu flash Ni P : 2 µm 0/+2 µm Au: 0.15 µm min (equivalent 0.4 µm Au)	CURRENT max A	AWG WIRE	mm <sup>2</sup> AREA	ØA +0 -0.05	ØB +0 -0.05	Clip colour
8638PPC4007LF	8638PPC4006LF	8638PPC4005LF	40	8-10	5-8	4.70	5.50	BLUE
8638PPC3007LF	8638PPC3006LF	8638PPC3005LF	30	9	6	3.75	4.75	WHITE
8638PPC2007LF	8638PPC2006LF	8638PPC2005LF	20	12-14	2-3	2.80	3.70	RED
8638PPC1007LF	8638PPC1006LF	8638PPC1005LF	10	16-18	0.9-1.3	1.80	2.55	BLACK

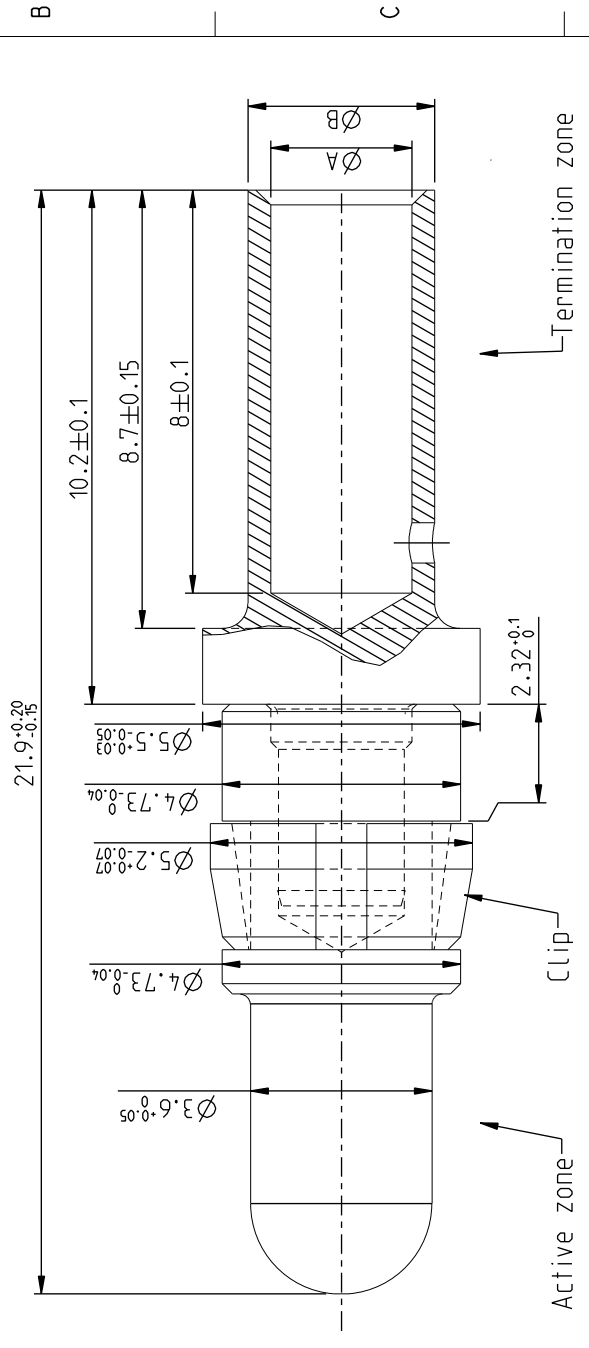
**NOTE: RoHS INFORMATIONS**  
 - The "LF" products meet European union Directives and regulations as described in GS-22-008  
 - Termination plating spec: Sn pure matte  
 - Packaging spec: see GS-14-920

**Materials and finish**  
 Active zone: CuZn40 Pb3. Plating see table  
 Termination zone (crimping sleeve): CuZn40Pb3  
 Plating 2 µm 0/+2 µm Cu - 3 µm 0/+3 µm Tin pure matte  
 Clip : Thermoset plastic

**Technical characteristics**  
 Peak voltage: 750 Veff.  
 Operating voltage: 500 Veff.  
 Temperature range -55 °C +125 °C  
 Packaged per 100  
 Current capability : see table

**Mechanical characteristics** :  
 Crimping test: according to MILC39029  
 Mechanical endurance: 200 or 500 matings/unmatings (see table).  
 Contact insertion force in insulator:  
 60N maxi in a hole of 4.80 mm

**Examination of product:**  
 Remove all burrs and sharp edges 0.08 maxi  
 No scratch allowed



Material	SEE TABLE	Spec ref	ISO 1302	tolerance	405 1101	projection	mm
Mat code		surface	ISO 1302				
Heatreat							
Plating/Finish	SEE TABLE						
Dr	JARRY	2002/02/28	Product Family	D-sub	size	A3	Scale
Eng	PESSON	2002/02/28	Model Name	8638PPC200XLF	ECN	F10-0076	CONCEPT
Chr	LEGARE	2002/02/28	Model Revision	1	REL Level		Rev.
Appr	LEGARE	2002/02/28	Model Revision	1	REL Level		N
rev	ecn no	dr	date				
N	F10-0076	LSA	2010/07/22				
H	LS06-0097	LGO	2006/07/27				
J	LS06-0029	MPE	2008/01/28				
K	F09-0054	LSA	2009/06/10				
L	F10-0031	GPE	2010/04/12				
M	F10-0065	LSA	2010-06-25				
Mark with							
Material	SEE TABLE	Spec ref	ISO 1302	tolerance	405 1101	projection	mm
Mat code		surface	ISO 1302				
Heatreat							
Plating/Finish	SEE TABLE						
Dr	JARRY	2002/02/28	Product Family	D-sub	size	A3	Scale
Eng	PESSON	2002/02/28	Model Name	8638PPC200XLF	ECN	F10-0076	CONCEPT
Chr	LEGARE	2002/02/28	Model Revision	1	REL Level		Rev.
Appr	LEGARE	2002/02/28	Model Revision	1	REL Level		N
rev	ecn no	dr	date				
N	F10-0076	LSA	2010/07/22				
H	LS06-0097	LGO	2006/07/27				
J	LS06-0029	MPE	2008/01/28				
K	F09-0054	LSA	2009/06/10				
L	F10-0031	GPE	2010/04/12				
M	F10-0065	LSA	2010-06-25				
Male CONTACT FOR CRIMPED CONNECTION	Male CONTACT FOR CRIMPED CONNECTION	Customer	C01-8638-0325	Customer	Sheet 1 of 1		

