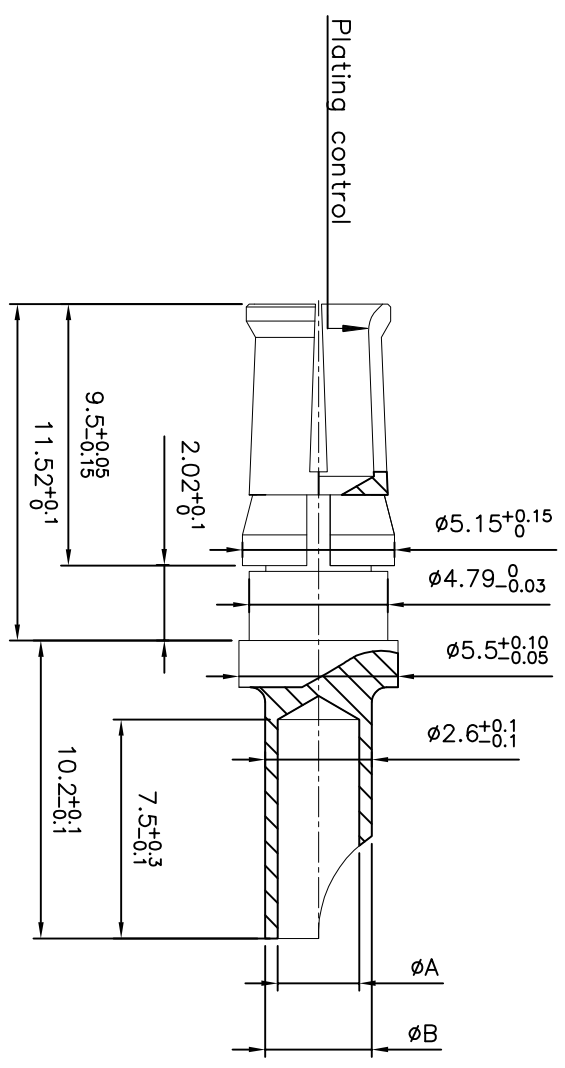


CONTACT PLATING : gold 0.40 μ over nickel 1 μ .



8630-3099NLF	Power contact (AWG 8)	4.40	5.00	3.90	8.98
8630-3057NLF	Power contact (AWG 12)	2.80	3.65	2.40	3.18
8630-3061NLF	Power contact (AWG 14)	2.10	3.00	1.70	1.91
8630-3065NLF	Power contact (AWG 16)	1.70	2.60	1.50	1.34
PART NUMBER	Designation	ϕA $^{+0.10}_0$	ϕB $^{+0.10}_0$	ϕ ome mm	Section mm ² WIRE

NOTE:ROHS INFORMATIONS

- The "LF" product meets European union Directives and other country regulations as described in GS-22-008.
- The product is not intended to be exposed to a manufacturing solder process.
- Packaging spec: see GS-14-920.

mat'l. code		surface		tolerance		projection		product family	
lfr	ecn no	dr	date	ISO 1302	ISO 406	ISO 1001		D-SUB	
A	LS08-0022	MPE	2006/06/11	tolerances unless otherwise specified				POWER CONTACT (taille 8)	
B	LS08-0095	LCO	2006/06/23	angles	0xx	± 0.1		removable contact	
C	F-27591	ALA	2017/07/31	linear	0xxx	± 0.1		sheet 1 of 1	
		dr	M.PESSON	0xxx	± 0.1	scale		size	
		engf	M.PESSON	0xxx	± 0.1			A3	
		chr	LEGARRE	0xxx	± 0.1			Drawing	
		appd	LEGARRE	0xxx	± 0.1			Customer	
sheet	revision	1						Drawing	
Index	sheet	1						Drawing	