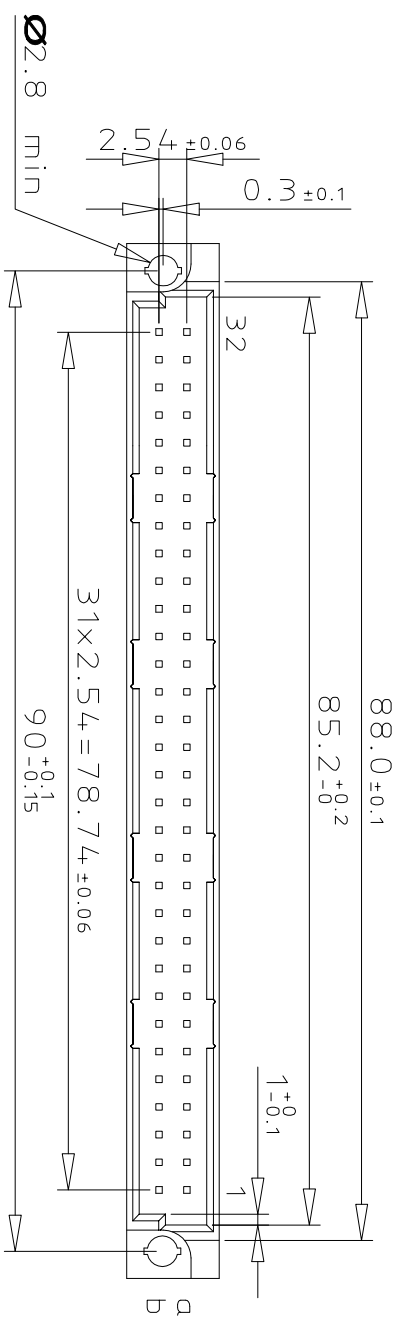
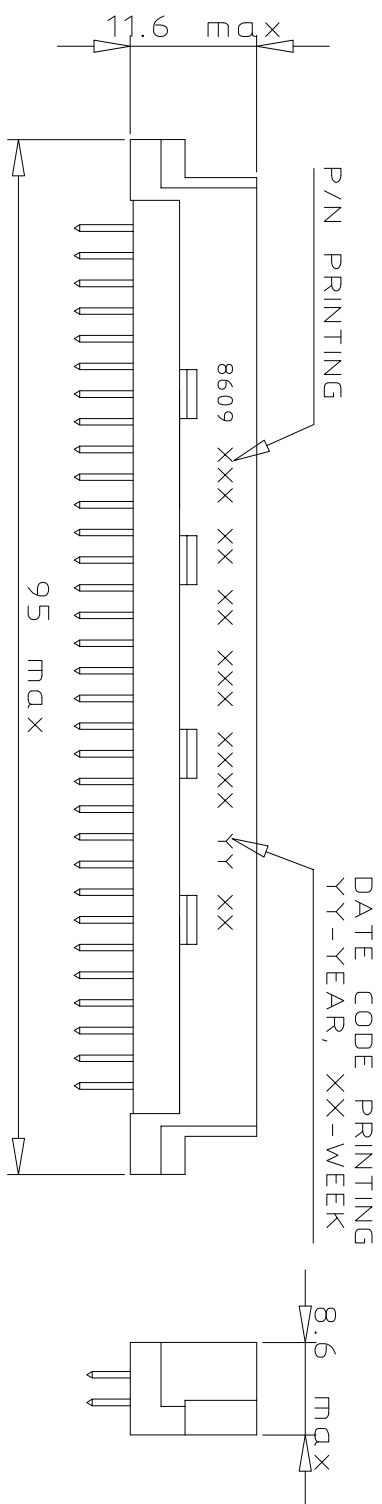
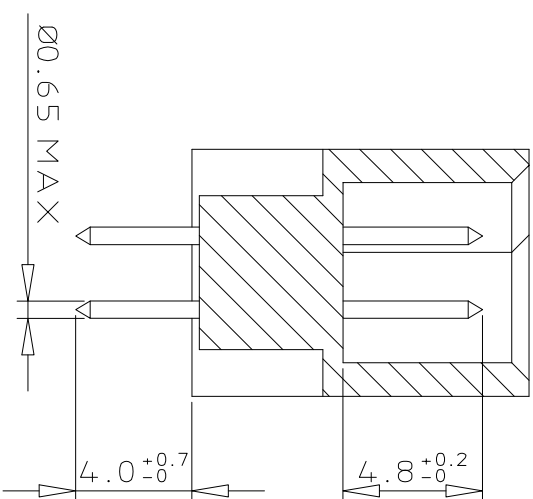


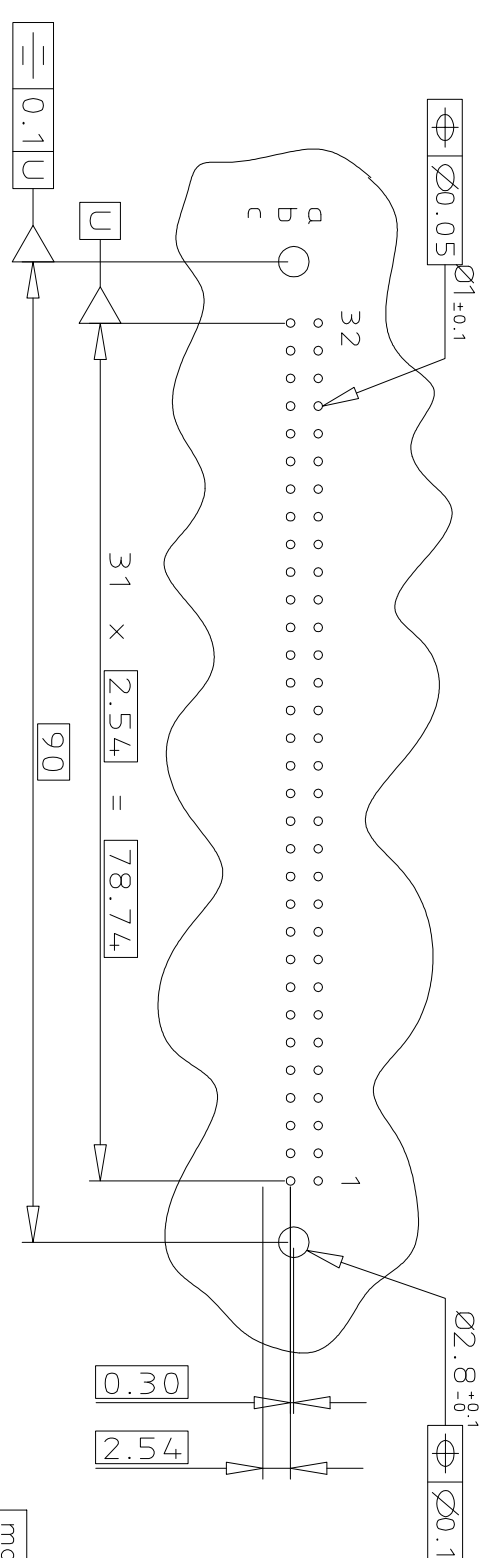
DIMENSIONS



TERMINATION



PCB LAYOUT



ORDERING INFORMATION

SERIES	8609	2	64	5	8	14	7	4	5	ELF
ROWS FITTED WITH CONTACTS	ROW a	b	-	-	-	-	-	-	-	-
NO. OF CONTACTS										
TYPE OF INSULATOR	2	ROW MALE INSULATOR	5							
METHOD OF MOUNTING	8	REVERSE MOUNTING - STYLE a								
TERMINATION	14	STRAIGHT SPILL								
OPTIONS	7	NO OPTION								
PERFORMANCE CLASS	4	DIN 41612 CLASS 3	5							
	6	DIN 41612 CLASS 2	8							
	8	DIN 41612 CLASS 1	14							
	5	AS PER MIL C 55302 / JSS 50808								
PITCH PER ROW	2.54	mm								
LEAD FREE VERSION	5	ELF								

GENERAL CHARACTERISTICS & ROHS INFO

REFER DRAWING C-8609-0000A

mat'l. code	SEE DWG C-8609-0000A		surface	ISO 1302	tolerance	ISO 406	ISO 1101	projection	product family	8609
tr	ecn	nd	dr	ddte	angles	linear	0.XX	±0.1	title	DIN REVERSE HEADER
A	105-0107	MINI	2005-05-19		0.XX	±0.1	0.XXX	±0.1	STRAIGHT SPILL	DIN 41612 STYLE a
B	105-0064	MINI	2006-06-01	0*2*	0.XXX	±0.1	SCDLE 3:2	mm	dwg no	C-8609-2060
C	108-0146	KR	2008-10-21						sheet 1 of 1	A3
sheet index	revision	sheet	1	C					type	Product Customer Drawing