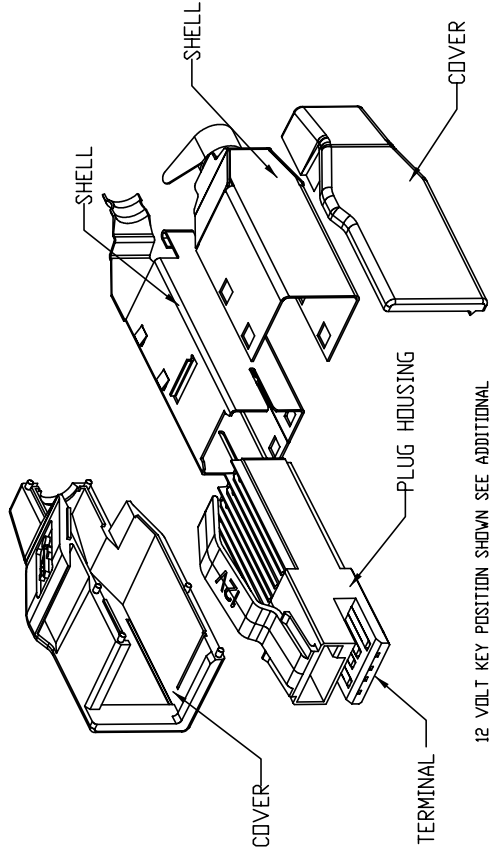
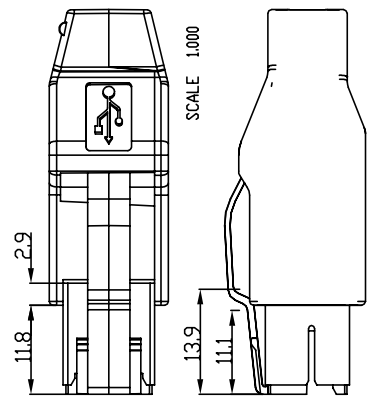
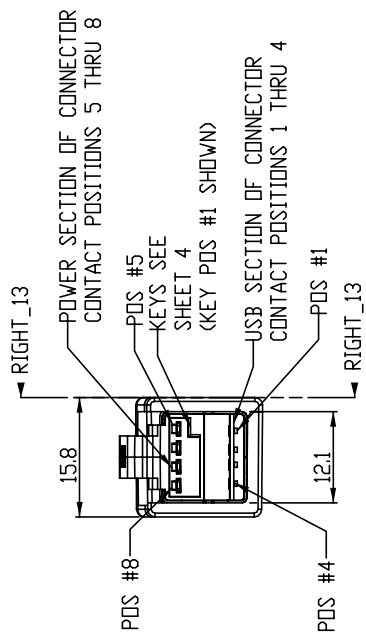


PRODUCT NUMBER
SEE TABLE

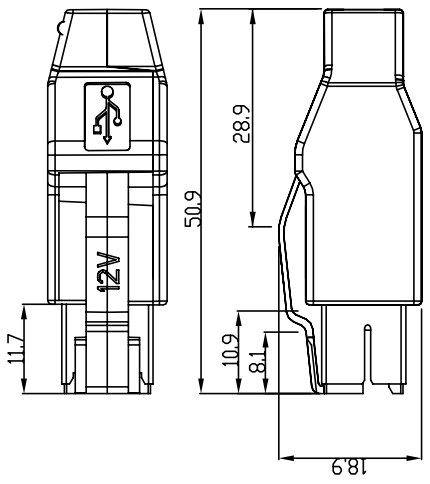
KIT PARTS
SCALE 1.000



12 VOLT KEY POSITION SHOWN. SEE ADDITIONAL SHEETS FOR OTHER KEYING OPTIONS



MATERIALS	SPECIFICATIONS
SHELLS	STAINLESS STEEL
HOUSINGS	THERMOPLASTIC UL94V-0 RATED
TERMINALS	HIGH STRENGTH COPPER ALLOY
COVERS	THERMOPLASTIC UL94V-0 RATED;
PLATING	COLOR: SEE TABLE.
SHELL	UNDERPLATE; 40 MICROINCHES NI MIN 100 MICROINCHES MIN TIN (TIN/LEAD)
TERMINALS	UNDERPLATE; 40 MICROINCHES NI CONTACT AREA; 30 MICROINCHES GXT TAIL AREA; 100 MICROINCHES TIN (TIN/LEAD)
ELECTRICAL	
VOLTAGE RATING	USB; 5.25VDC, +POWER; 12VDC, 24VDC, 5VDC, 48VDC
DIELECTRIC WITHSTANDING VOLTAGE	750 VAC
INSULATION RESISTANCE	1000 MEG OHMS AT 500 VDC
CURRENT RATING (NOTE 1)	1.50A USB SECTION 3.00A POWER SECTION



FOR ALL PRODUCT EXCEPT 74233-221LF

mat'l code		SEE NOTE		tolerances unless otherwise specified		CUSTOMER	
ltr	ecr no.	dr	date			copy	projection
J	N04-0069	PH	10/18/2004	linear	X ± 0.3		
K	N05-0255	PH	09/09/2005		.XX ± 0.13		
L	N08-0122	BS	06/16/2008	angles	.XXX ± 0.05		
M	N09-0123	R.B	04/24/2009	dr	0° ± 2°		
N	N09-0340	R.B	10/22/2009	engr			
P	EDN-ELX-H-00668	A.ZH	09/20/2011	chr			
R	EDN-ELX-H-00944	A.ZH	03/22/2012	appd			
sheet index	revision	sheet					
	R						
	1-3						

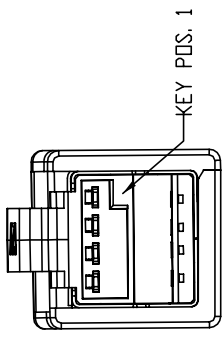
FCJ		www.fcjconnect.com	
CUSTOMER	FCJ	title	USB+ POWER PLUG KIT ASSEMBLY
product family	USB	product family	USB
size	A4	size	A4
dwg no	74233	dwg no	74233
sheet	1 of 3	sheet	1 of 3



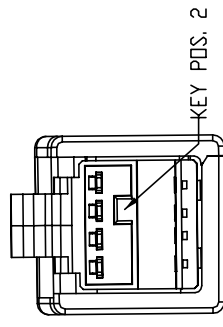
Copyright FCJ

PRODUCT NUMBER
SEE TABLE

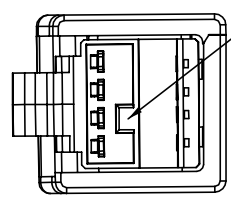
12V KEY POSITION
SCALE 1:500



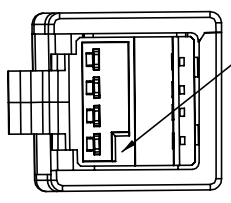
24 KEY POSITION
SCALE 1:500



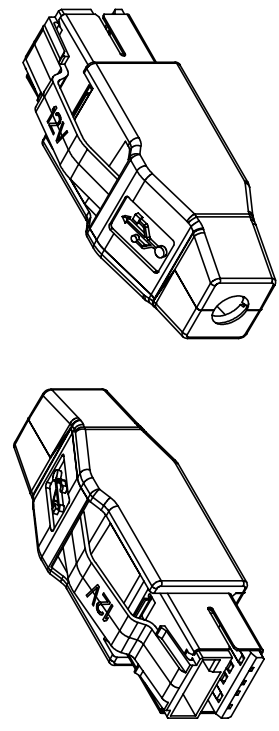
5V KEY POSITION
SCALE 1:500



UNASSIGNED KEY
SCALE 1:500



ABOVE ASSEMBLIES ARE SHOWN ONLY FOR
KEY INFORMATION, FOR ASSEMBLY INFORMATION
AND DIMENSIONS SEE PREVIOUS SHEETS



NOTES:

1. CURRENT AS LISTED IS AMPS PER CONTACT WITH ALL CONTACTS POWER;
2. DIMENSIONS AND TOLERANCES ARE IN ACCORDANCE WITH ASME Y14.5M, 1994;
3. MATING SEQUENCE WHEN MATED WITH USB+POWER RECEPTACLE PRODUCT NUMBER 55917-XXX;
4. PRODUCT NUMBER 74233-XXXLF

LEAD FREE OPTION

- WITH 'LF' SUFFIX, TERMINAL AND SHELL PLATING IS TIN, WITHOUT 'LF' SUFFIX, TERMINAL AND SHELL PLATING IS TIN/LEAD;
- PRODUCT SPECIFICATION REFERS TO GS-12-130;
- PACKAGE SPECIFICATION REFERS TO GS-14-395;
- PACKING STANDARD GS-14-920 WILL BE APPLIED FOR LEAD FREE P/N'S;
- FOR LEAD FREE PART NUMBER, THE PRODUCT MEET EUROPEAN UNION DIRECTIVES AND OTHER COUNTRY REGULATION AS DESCRIBED IN GS-22-008;
- FOR LEAD FREE PART NUMBERS, THE HOUSING WILL WITHSTAND EXPOSURE TO 260°C PEAK TEMPERATURE FOR 40 SECONDS IN A CONVECTION, INFRARED OR VAPOR PHASE REFLOW OVEN;
- INSULATION MYLAR MUST COVER WITH ALL TERMINALS AND SOLDERED POINTS ON BOTH TWO SIDES (ONE PIECE EACH SIDE) AFTER SOLDERING AND BEFORE ASSEMBLE SHIELDS, RECOMMENDED DIMENSION OF MYLAR IS 27.00±0.10*10.00±0.10*0.10±0.03 (LENGTH*WIDTH*THICKNESS), AND IT MUST BE OF HIGH TEMPERATURE RESISTANCE. PLEASE REFER TO THE APPLICATION SPEC AS GS-20-043.

CONTACT NUMBER	PRODUCT DASH NUMBER		
	-1XX(X)	-2XX(X)	-3XX(X)
1	VCC	VCC	VCC
2	- DATA	- DATA	- DATA
3	+ DATA	+ DATA	+ DATA
4	GROUND	GROUND	GROUND
5	12V GROUND	24V GROUND	5V GROUND
6	12V	24V	5V
7	12V	24V	5V
8	12V GROUND	24V GROUND	5V GROUND
SHELL	SHIELD	SHIELD	SHIELD

mat'l code		SEE NOTE		tolerances unless otherwise specified		CUSTOMER		FCJ		www.fcjconnect.com	
ltr	ecr no.	dr	date	linear	angles	dr	engr	chr	appd	product family	title
R										USB+ POWER PLUG KIT ASSEMBLY	USB code
										size	sheet
										A4	2 of 3
sheet	revision	sheet	scale							74233	
Index											



Copyright FCJ

PRODUCT NUMBER (NOTE 4)	DESCRIPTION	VOLTAGE	PLUG HOUSING COLOR	CABLE OD	CURRENT RATING	COVER COLOR	REMARK
74233-100	KEY POSITION 1	12V	TEAL	5.80±0.25	3 AMPS	GRAY	NON LEAD FREE PART, NOT AVAILABLE
74233-100LF	KEY POSITION 1	12V	TEAL	5.80±0.25	3 AMPS	GRAY	LEAD FREE PART, SUBSTITUTE OF 74233-100
74233-1009LF	KEY POSITION 1	12V	TEAL	5.80±0.25	3 AMPS	BLACK	
74233-101	KEY POSITION 1	12V	TEAL	5.10±0.25	3 AMPS	GRAY	NON LEAD FREE PART, NOT AVAILABLE
74233-101LF	KEY POSITION 1	12V	TEAL	5.10±0.25	3 AMPS	GRAY	LEAD FREE PART, SUBSTITUTE OF 74233-101
74233-1019LF	KEY POSITION 1	12V	TEAL	5.10±0.25	3 AMPS	BLACK	
74233-102	KEY POSITION 1	12V	TEAL	6.60±0.25	3 AMPS	GRAY	NON LEAD FREE PART, NOT AVAILABLE
74233-102LF	KEY POSITION 1	12V	TEAL	6.60±0.25	3 AMPS	GRAY	LEAD FREE PART, SUBSTITUTE OF 74233-102
74233-1029LF	KEY POSITION 1	12V	TEAL	6.60±0.25	3 AMPS	BLACK	
74233-200	KEY POSITION 2	24V	RED	5.80±0.25	3 AMPS	GRAY	NON LEAD FREE PART, NOT AVAILABLE
74233-200LF	KEY POSITION 2	24V	RED	5.80±0.25	3 AMPS	GRAY	LEAD FREE PART, SUBSTITUTE OF 74233-200
74233-2009LF	KEY POSITION 2	24V	RED	5.80±0.25	3 AMPS	BLACK	
74233-201	KEY POSITION 2	24V	RED	5.10±0.25	3 AMPS	GRAY	NON LEAD FREE PART, NOT AVAILABLE
74233-201LF	KEY POSITION 2	24V	RED	5.10±0.25	3 AMPS	GRAY	LEAD FREE PART, SUBSTITUTE OF 74233-201
74233-2019LF	KEY POSITION 2	24V	RED	5.10±0.25	3 AMPS	BLACK	
74233-211	KEY POSITION 2	48V	RED	5.10±0.25	3 AMPS	GRAY	NON LEAD FREE PART, NOT AVAILABLE
74233-211LF	KEY POSITION 2	48V	RED	5.10±0.25	3 AMPS	GRAY	LEAD FREE PART, SUBSTITUTE OF 74233-211
74233-2119LF	KEY POSITION 2	48V	RED	5.10±0.25	3 AMPS	BLACK	
74233-221LF	KEY POSITION 2	48V	RED	5.10±0.25	3 AMPS	GRAY	SPECIAL PART, LATCH BACKWARD 3mm BASE DN 74233-211LF
74233-202	KEY POSITION 2	24V	RED	6.60±0.25	3 AMPS	GRAY	NON LEAD FREE PART, NOT AVAILABLE
74233-202LF	KEY POSITION 2	24V	RED	6.60±0.25	3 AMPS	GRAY	LEAD FREE PART, SUBSTITUTE OF 74233-202
74233-2029LF	KEY POSITION 2	24V	RED	6.60±0.25	3 AMPS	BLACK	
74233-300	KEY POSITION 3	5V	NATURAL	5.80±0.25	3 AMPS	GRAY	NON LEAD FREE PART, NOT AVAILABLE
74233-300LF	KEY POSITION 3	5V	NATURAL	5.80±0.25	3 AMPS	GRAY	LEAD FREE PART, SUBSTITUTE OF 74233-300
74233-3009LF	KEY POSITION 3	5V	NATURAL	5.80±0.25	3 AMPS	BLACK	
74233-301	KEY POSITION 3	5V	NATURAL	5.10±0.25	3 AMPS	GRAY	NON LEAD FREE PART, NOT AVAILABLE
74233-301LF	KEY POSITION 3	5V	NATURAL	5.10±0.25	3 AMPS	GRAY	LEAD FREE PART, SUBSTITUTE OF 74233-301
74233-3019LF	KEY POSITION 3	5V	NATURAL	5.10±0.25	3 AMPS	BLACK	
74233-302	KEY POSITION 3	5V	NATURAL	6.60±0.25	3 AMPS	GRAY	NON LEAD FREE PART, NOT AVAILABLE
74233-302LF	KEY POSITION 3	5V	NATURAL	6.60±0.25	3 AMPS	GRAY	LEAD FREE PART, SUBSTITUTE OF 74233-302
74233-3029LF	KEY POSITION 3	5V	NATURAL	6.60±0.25	3 AMPS	BLACK	

mat'l code		SEE NOTE		tolerances unless otherwise specified		CUSTOMER		FCJ www.fcjconnect.com	
ltr	ecrn no.	dr	date	linear	X ± 0.3	copy	projection	title	USB+ POWER PLUG KIT ASSEMBLY
R				angles	.XX ± 0.13			product family	USB
				dr	.XXX ±0.05			size	dwg no
				engr	0° ±2°			scale	A4
				chr	P. HSU 10/6/97			sheet	3 of 3
				appd	R. MACMULLIN 10/6/97				
					R. MACMULLIN 10/6/97				
sheet index	revision	sheet							



Copyright FCJ