

# 7334L2622F05LF

Catalogue Part Number Key

Lead Free Version (Optional)

FCI

Durability  
 0: 2500 Mating Cycles  
 2: 10000 Mating Cycles  
 5: 100000 Mating Cycles

Number of contacts :  
 2: 8 contacts ISO  
 3: 16 contacts ISO + AFNOR

**GENERAL:**  
 This L26 connector uses a "sliding" contact technology suitable for most applications.  
 It has been designed for easy mounting on the PCB.

**ELECTRICAL PROPERTIES:**

Insulation resistance : 5000 MΩ min  
 Dielectric withstanding : 750 Vrms min  
 Current carrying capacity : 10µA min. 1A max  
 Contact resistance : 100mΩ max  
 Card sensor type : Normally closed

**MECHANICAL PROPERTIES:**

Contact Normal force : 0.6 N max (EMV Standard)  
 Insertion force : 10 N max  
 Extraction force : 1 N min

**MATERIAL:**

Housing : Thermoplastic, Colour Black, Rated UL94V0  
 Contacts and switch : Copper Alloy  
 Plating : Gold over Nickel on contact area  
 Matte Tin over Nickel on solder tails  
 Bare edge allowed

**ENVIRONMENT:**

Operating temperature: -20°C / +70°C  
 Storage temperature: -40°C / +85°C  
 Printed Circuit Board thickness : 1.6mm

**REFERENCE DOCUMENTS:**

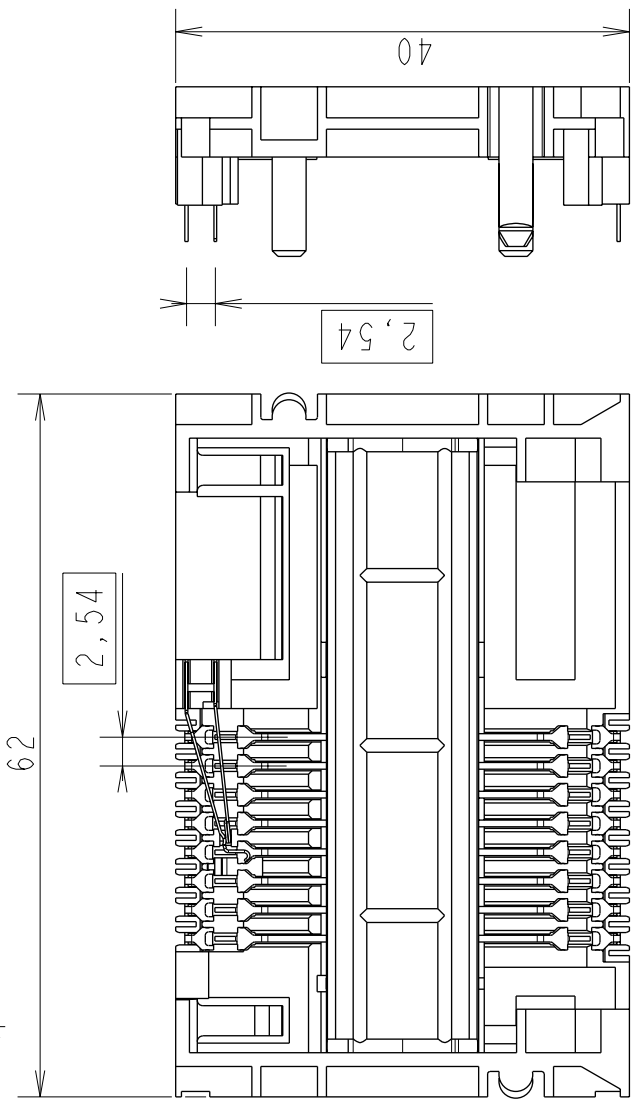
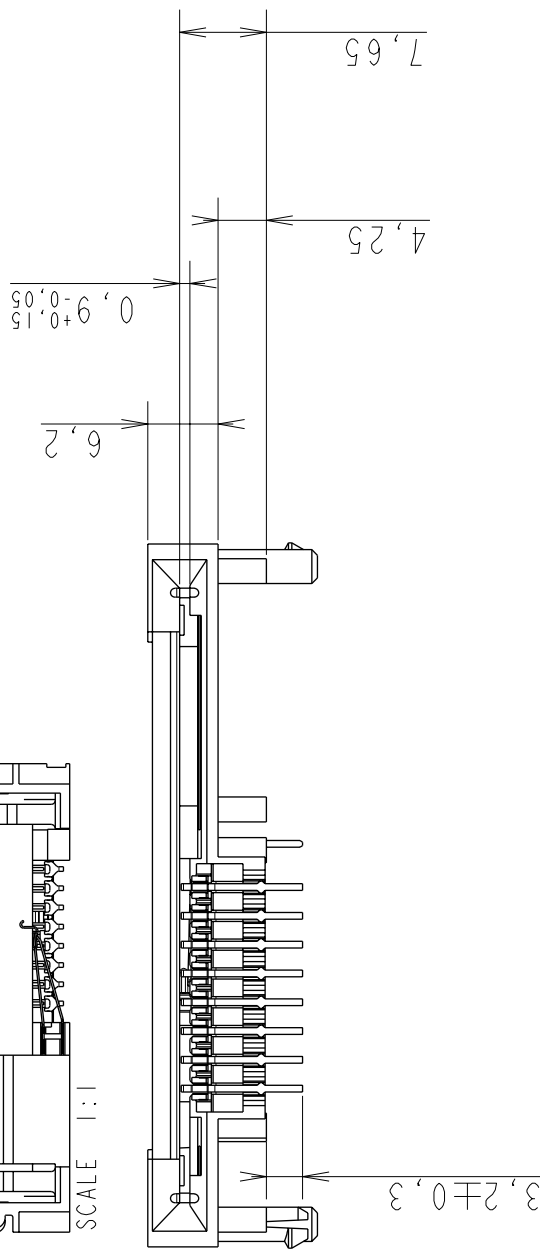
Product specification VGN 11596  
 Packaging Specification VGN 11619

**LEAD FREE VERSION:**

"This product meets European Union Directives and other country regulations as described in GS-22-008"

The housing will withstand exposure to 260°C peak temperature for 10seconds in a wave solder application with a 1.6mm minimum thick circuit board. Use protective adhesive tape (Kapton or Teflon) or protective metallic devices on the areas which are directly exposed to wave soldering as it is used in classical leaded wave soldering

Copyright FCI

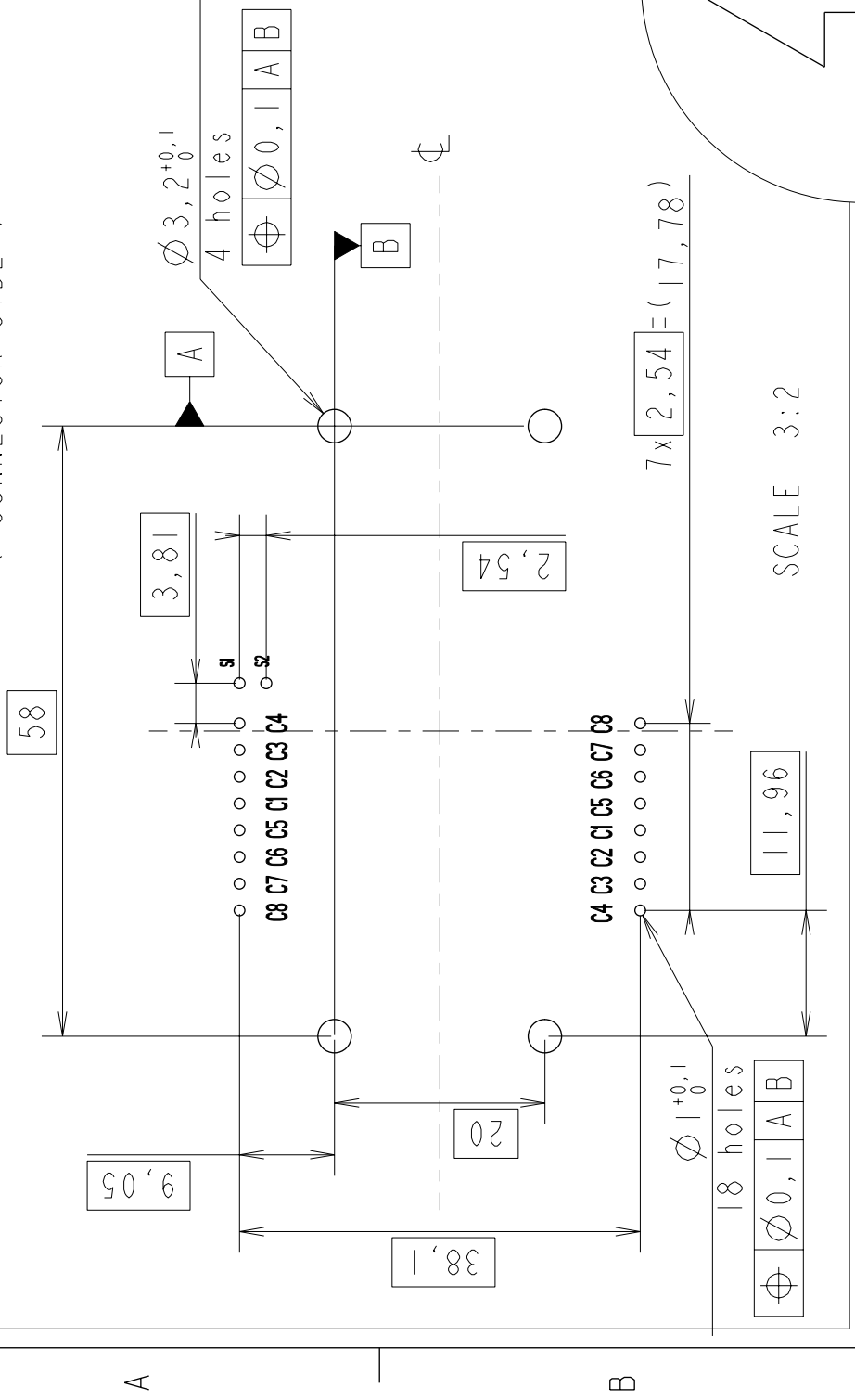


www.fciconnect.com		surface	ISO 1302	tolerance std	ISO 406	ISO 1101	projection	mm
		TOLERANCES UNLESS OTHERWISE SPECIFIED						
Dr	N. TWINCY	2002/04/30	ANGULAR	0.X	±	±	size	A3
Eng	F. TISSERAND	2002/04/30	ANGULAR	0.XX	±	±	Scale	3:2
Chr	RAMESH.P.K	2009/04/15	0°	0.XXX	±	±	ECN	109-0057
Appr	S.S.CHERIAN	2009/04/15	Product family	SMART CARDS		Spec ref		SEE NOTES
FCI		L26 TYPE F05		SEE TABLE		VJW_54705		Rev.
---		---		---		---		F
---		---		---		---		sheet 1 of 2

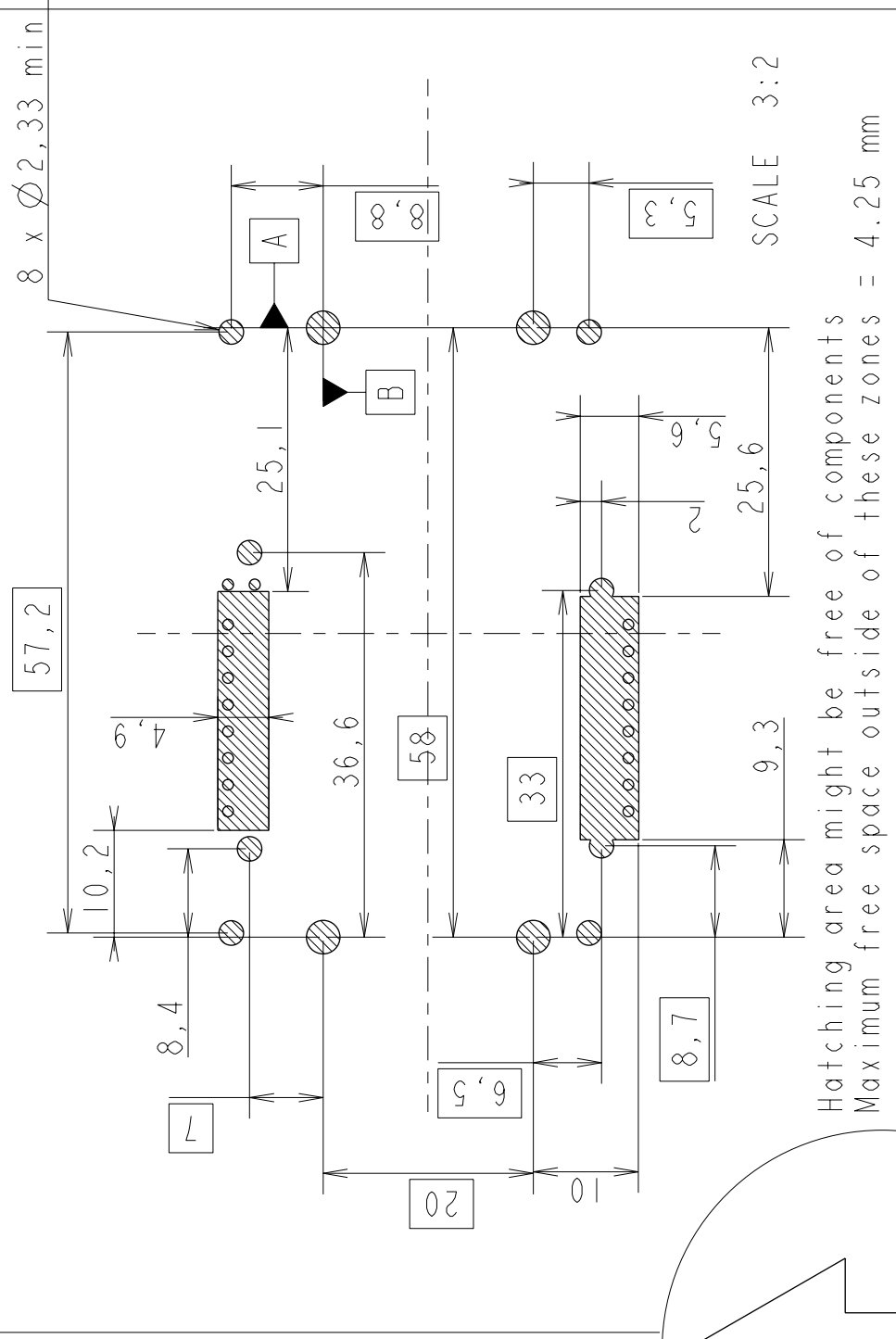
l/r	ecn no	dr	date
A	F20307	DLE	2002/04/30
B	LS 3053	JTA	2003/05/13
C	105-0071	DTK	2005/06/25
D	106-0084	SSC	2006/06/21
E	106-0189	SSC	2006/10/17
F	109-0057	SSC	2009/04/15



### RECOMMENDED PCB LAYOUT CONTACT CONFIGURATION : ISO & AFNOR ( CONNECTOR SIDE )

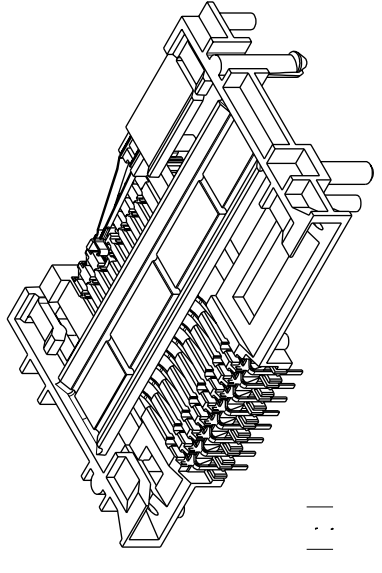
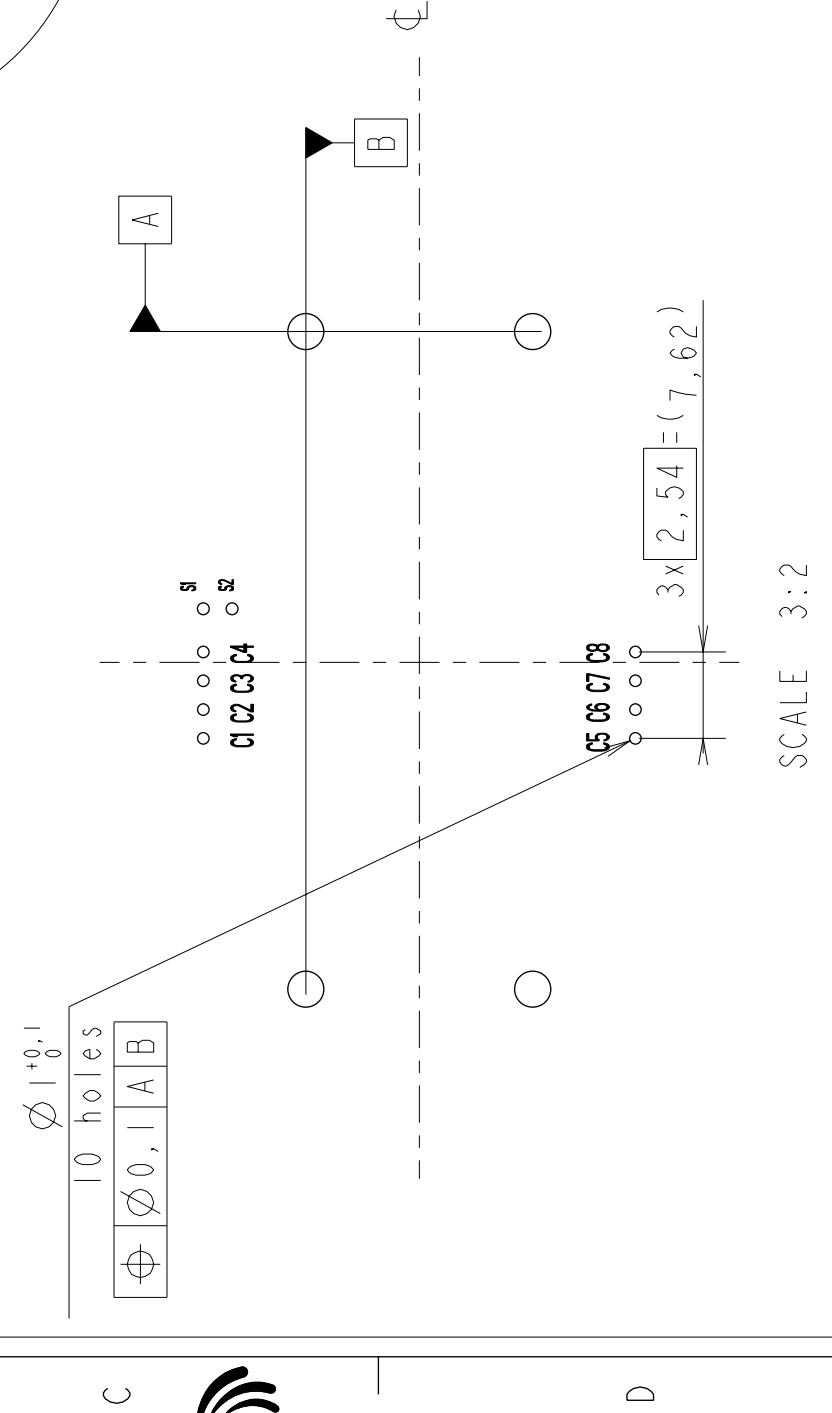


### STANDARD LAYOUT FOR 'KEEP OUT ZONE' (Connector Side)



Hatching area might be free of components  
Maximum free space outside of these zones = 4.25 mm

### RECOMMENDED PCB LAYOUT CONTACT CONFIGURATION : ISO ( CONNECTOR SIDE )



ECHELLE 1 : 1

### EUROPEAN PROJECTION

www.fciconnect.com	surface	tolerance std	projection	mm
	ISO 1302	ISO 406 ISO 1101		
TOLERANCES UNLESS OTHERWISE SPECIFIED				
Dr N. TWINCY	2002/04/30	ANGULAR	size	Scale
Eng F TISSERAND	2002/04/30	0.X	A3	3:2
Chr RAMESH.P.K	2009/04/15	0.XX	ECN	109-0057
Appr S.S.CHERIAN	2009/04/15	0.XXX	Product family	SMART CARDS
FCJ		L26 TYPE F05		Spec ref
SEE TABLE		VJW_54705		SEE NOTES
SEE TABLE		REV. F		Rev.
SEE TABLE		-		sheet 2 of 2