

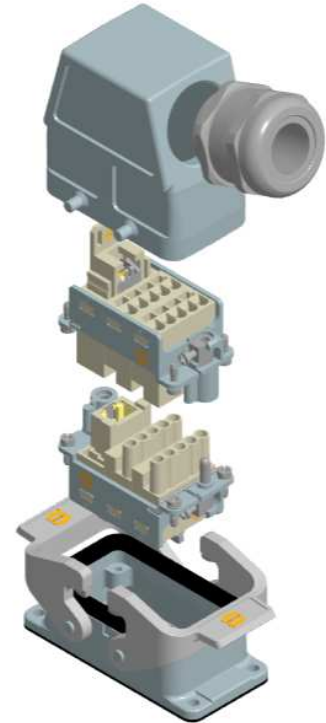
Technical Characteristics

Part Number

Han 10B Ethernet/Signal Kit

Hood	Side Entry
Housing	Double Lever Bulkhead
Material	Die Cast Aluminum
IP / NEMA	IP67 / 4, 4x, 12
Temp Rating	-40 to +125C
Cable Gland	M32 Metal
Cable Diameter	13-20 / 18-25mm
Insert	See "Kit Contents"
Termination (Rj45 / Signal)	IDC / Screw

73 10 100 0014

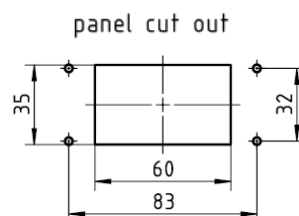
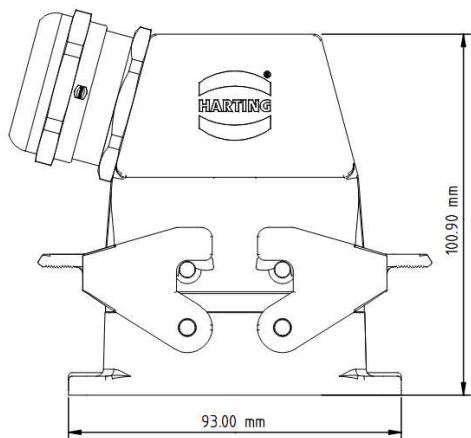


Electrical Characteristics

Ethernet	Cat.6 (8 wire)
Signal	10 x (16A / 600V)

Drawings and Assembly Information

Dimensions in mm



Kit Contents

Male Rj45	09 45 400 1560
	09 14 001 4623
Female Rj45	09 14 001 4721
Male Han E (x2)	09 14 005 2601
Female Han E (x2)	09 14 005 2701
Hinged Frame 1	09 14 010 0361
Hinged Frame 2	09 14 010 0371
Housing	09 30 010 1301
Hood	19 30 010 0527
Cable Gland	19 00 000 5095

NOTE: See "Kit Contents" for individual module part numbers.
All part numbers are available on the HARTING B2B E-Catalogue. See website for detailed specifications and drawings.

For further information, please reach out to techsupportUS@HARTING.com