

Technical Characteristics

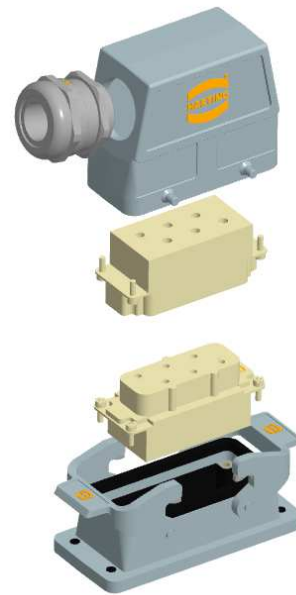
Part Number

Han HsB Power Kit

| | |
|-------------------|-----------------------|
| Hood | Side Entry |
| Housing | Double Lever Bulkhead |
| Material | Die Cast Aluminum |
| IP / NEMA | IP66 / 4, 4x, 12 |
| Temp Rating | -40 to +125C |
| Cable Gland | M32 Metal |
| Cable Diameter | 13-18mm / 18-25mm |
| Insert | 6 +GND |
| Screw Terminals | 16-10AWG |
| Wire Strip Length | 11.5mm |
| Mating Cycles | >500 |
| Flammability | V-0 |

73 10 100 0010

UL508

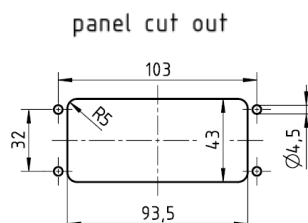
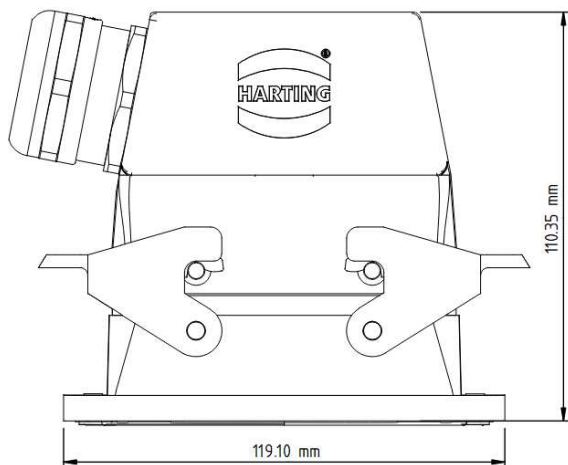


Electrical Characteristics

| | |
|-----------------------|------|
| Rated Current | 35A |
| Rated Voltage | 600V |
| Rated Impulse Voltage | 6kV |

Drawings and Assembly Information

Dimensions in mm



Tooling and Torque Values

| Type | Tool | Torque (Nm) |
|----------------------------------|-----------------------------|-------------|
| Terminal Screws (M3) | PH1 or Slotted 0.6 x 3.5 | 1.20 |
| Fixing Screw (M3) | PH2 or Slotted 0.6 x 3.5 | 0.50 |
| Mounting Screws (M4 recommended) | - | 0.8...1.0 |
| Cable Gland (M32) | SW 40 | 15 |

Kit Contents

| | |
|---------------|----------------|
| Male Insert | 09 31 006 2601 |
| Female insert | 09 31 006 2701 |
| Housing | 09 30 016 0391 |
| Hood | 19 30 016 0527 |
| Cable Gland | 19 00 000 5095 |

For further information, please reach out to techsupportUS@HARTING.com