

- △ USB MATERIALS:
SHELL: BRASS
HOUSING: BLACK, THERMOPLASTIC, GLASS FILLED, UL 94V-0 RATED
CONTACT: PHOSPHOR BRONZE WITH SELECTIVE GOLD PLATING, 0.76µm MIN IN CONTACT REGION.
SPRING CLIP: COPPER ALLOY
- RJ45 MATERIALS:
PLASTIC HOUSING: BLACK, PET THERMOPLASTIC FLAMMABILITY RATING UL 94V-0
SHIELD: BRASS, PLATED WITH 0.76µm SEMI-BRIGHT NICKEL, SELECTED TIN, 2.0-3.8µm ON SOLDER TAILS ONLY
CONTACTS: PHOSPHOR BRONZE.
PLATING: 1.27µm MIN NICKEL UNDERPLATE WITH SELECT 1.27µm MIN GOLD AT MATING INTERFACE AND 2.54µm MIN TIN ON CONTACT TAILS.
- LIGHT PIPE: FLAME RETARDANT POLYCARBONATE.
LED: DIFFUSED EPOXY LENS, CARBON STEEL LEAD FRAME WITH TIN/SILVER/NICKEL/ COPPER PLATING.

- △ MAGNETICS
-APPLICATION: 10/100 BASE-T
-IMPEDANCE: 100 OHMS
-TURNS RATIO (CHIP-CABLE): TX = 11, RX = 11
-OPEN CIRCUIT INDUCTANCE (DCL): 350nH MIN @100kHz, 0.1VRMS,
8mADC BIAS FROM 0°C TO 70°C, TX AND RX
-PERFORMANCE @ 25°C:
INSERTION LOSS (IL): 1.1dB MAX FROM 0.5MHz TO 100MHz
RETURN LOSS (RL): 18dB MIN FROM 0.5MHz TO 30MHz
18-20LOG(f/30)dB MIN FROM 30MHz TO 60MHz
12dB MIN FROM 60MHz TO 80MHz
CROSSTALK ATTENUATION: 35dB MIN FROM 0.5MHz TO 40MHz
33-20LOG(f/50)dB MIN FROM 40MHz TO 100MHz
COMMON MODE REJECTION RATIO (CMRR): 30dB MIN FROM 0.5MHz TO 100MHz
-ISOLATION VOLTAGE: COMPLIES WITH IEEE802.3 2002, PARA 23.5.1.1, ITEM b.

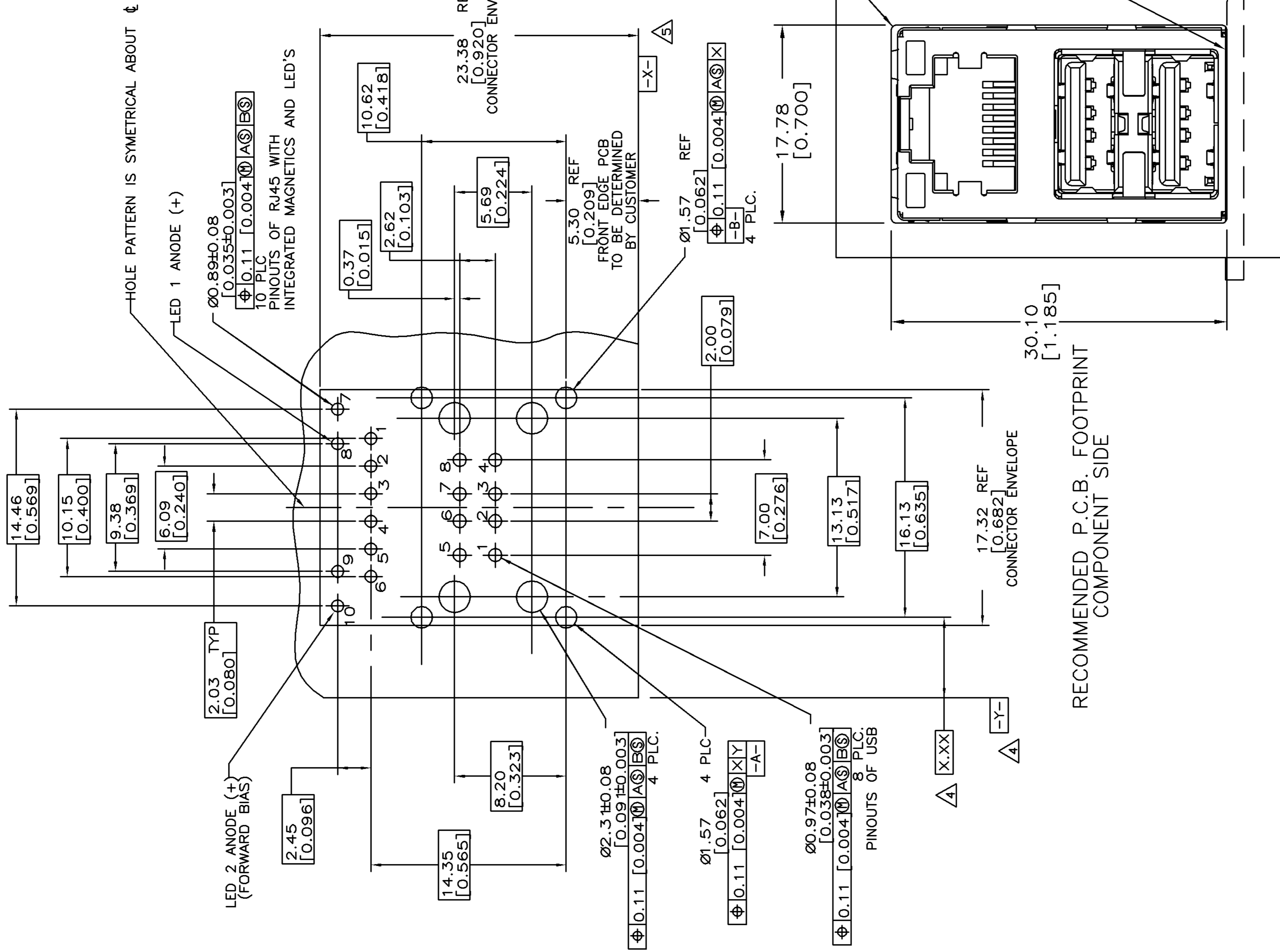
- △ PRODUCT IDENTIFICATION TO BE MARKED IN APPROXIMATE LOCATION.
- △ DATUM LOCATION AND DIMENSION TO BE ESTABLISHED BY CUSTOMER.
- △ RJ45 CAVITY CONFORMS TO FCC RULES AND REGULATION PART 68 SUBPART F.
- △ MATING INTERFACE COMPIES WITH USB (UNIVERSAL SERIAL BUS) SPECIFICATION REV 2.0, UTILIZING TRP P/N 292323-1 WITH USB 2.0 CERTIFICATE TEST ID NO. 60000242.
- △ LED'S COMPLIANT WITH IEC60825-1 SAFETY OF LASER PRODUCTS.
WHEN OPERATED AT CURRENT OF 20 MA.
- 8. OPERATING TEMPERATURE: -FROM 0 °C TO + 70 °C
- 9. THESE PARTS ARE RECOMMENDED FOR WAVE SOLDERING PROCESS, PEAK SOLDERING TEMPERATURE IS 260 °C MAX, 10 SECONDS MAX.
- △ OBSOLETE PARTS: OBSOLETE CIS STREAMLINING PER D.RENAUD/D.SINISI

OBsolete	GREEN	GREEN	1000 pF, 3kV	1-6620004-1
	GREEN/ORANGE	YELLOW	1000 pF, 3kV	6620004-2
	GREEN/ORANGE	YELLOW	1000 pF, 2kV	6620004-1
	LED 2	LED 1	DECOUPLING CAPACITOR	PART NUMBER

THIS DRAWING IS A CONTROLLED DOCUMENT.

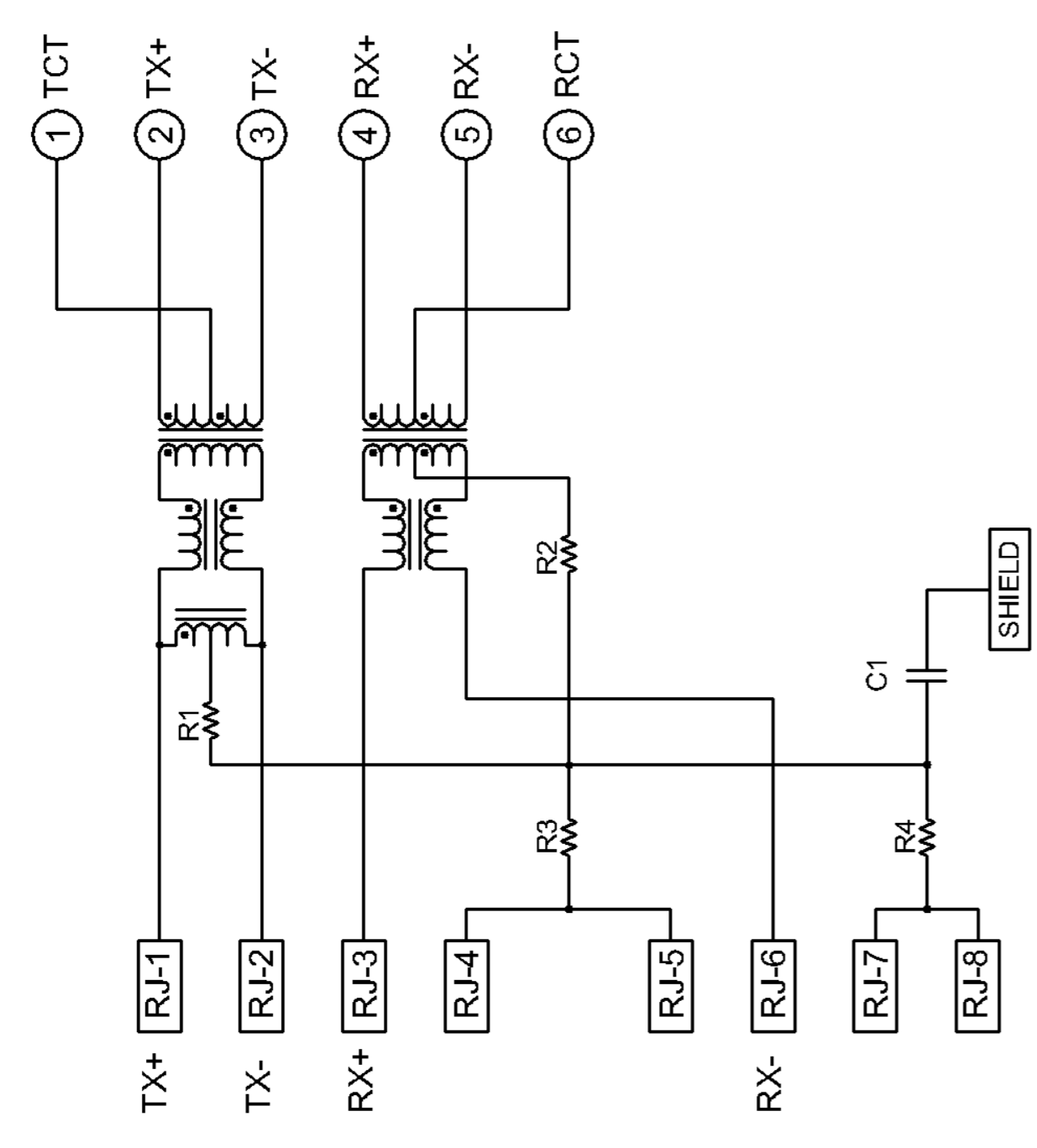
DESIGNER	DATE	REV	SCALE	NTS	SHEET	OF	REV
108-2100					1	2	G

TRIP CONNECTOR
DONGGUAN CHINA
RJ45 OVER DUAL USB
UR204P1.2, 10/100 CIRCUIT, W/ LEADS
RESTRICTED TO DRAWING NO
UR204P1.2, 10/100 CIRCUIT, W/ LEADS
SIZE CASE CODE DRAWING NO
A1 C-6620004
PRODUCT SPEC APPLICATION SPEC
CUSTOMER DRAWING

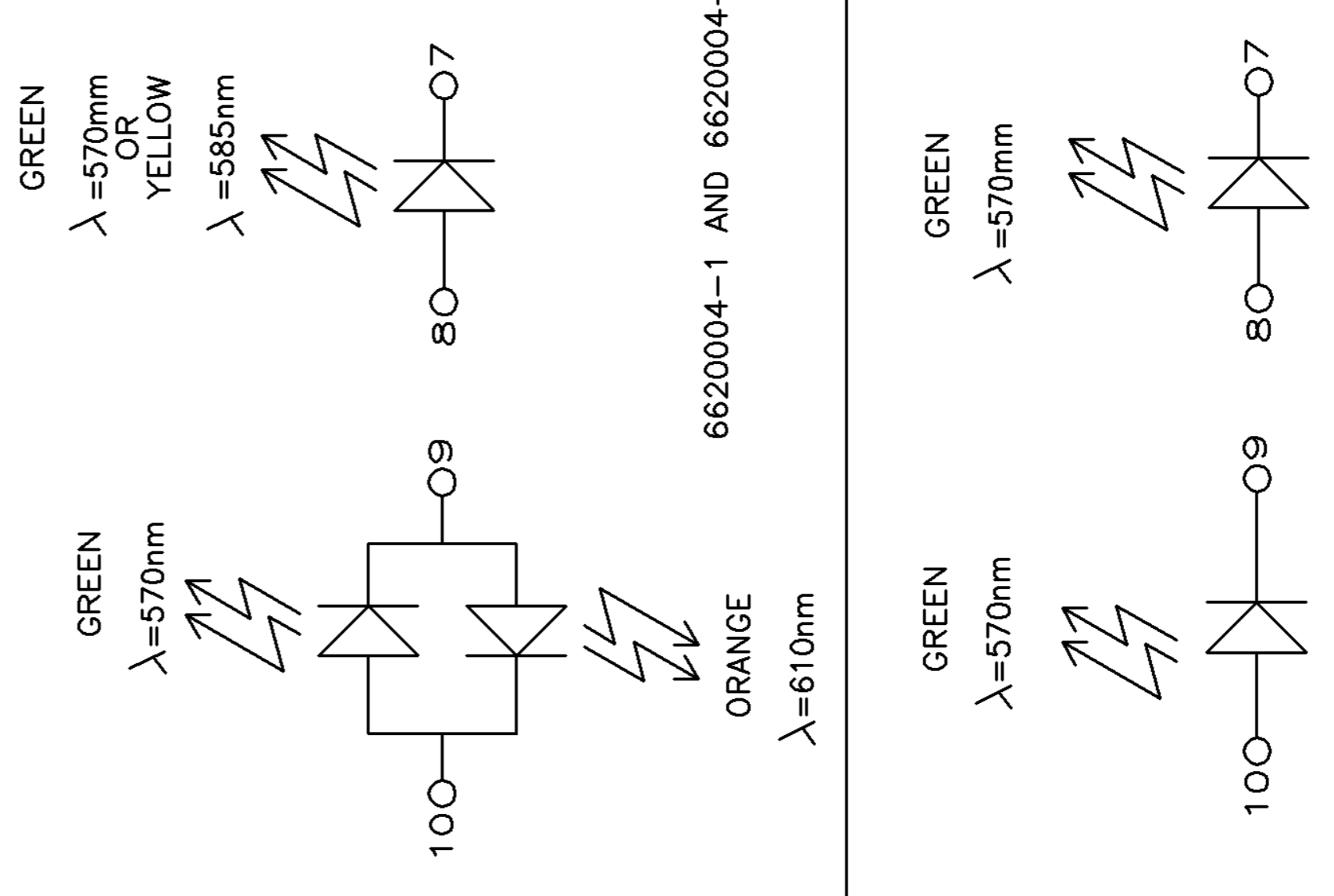


RECOMMENDED P.C.B. FOOTPRINT COMPONENT SIDE

SUGGESTED PANEL CUTOUT DIMENSIONS SCALE 4:1

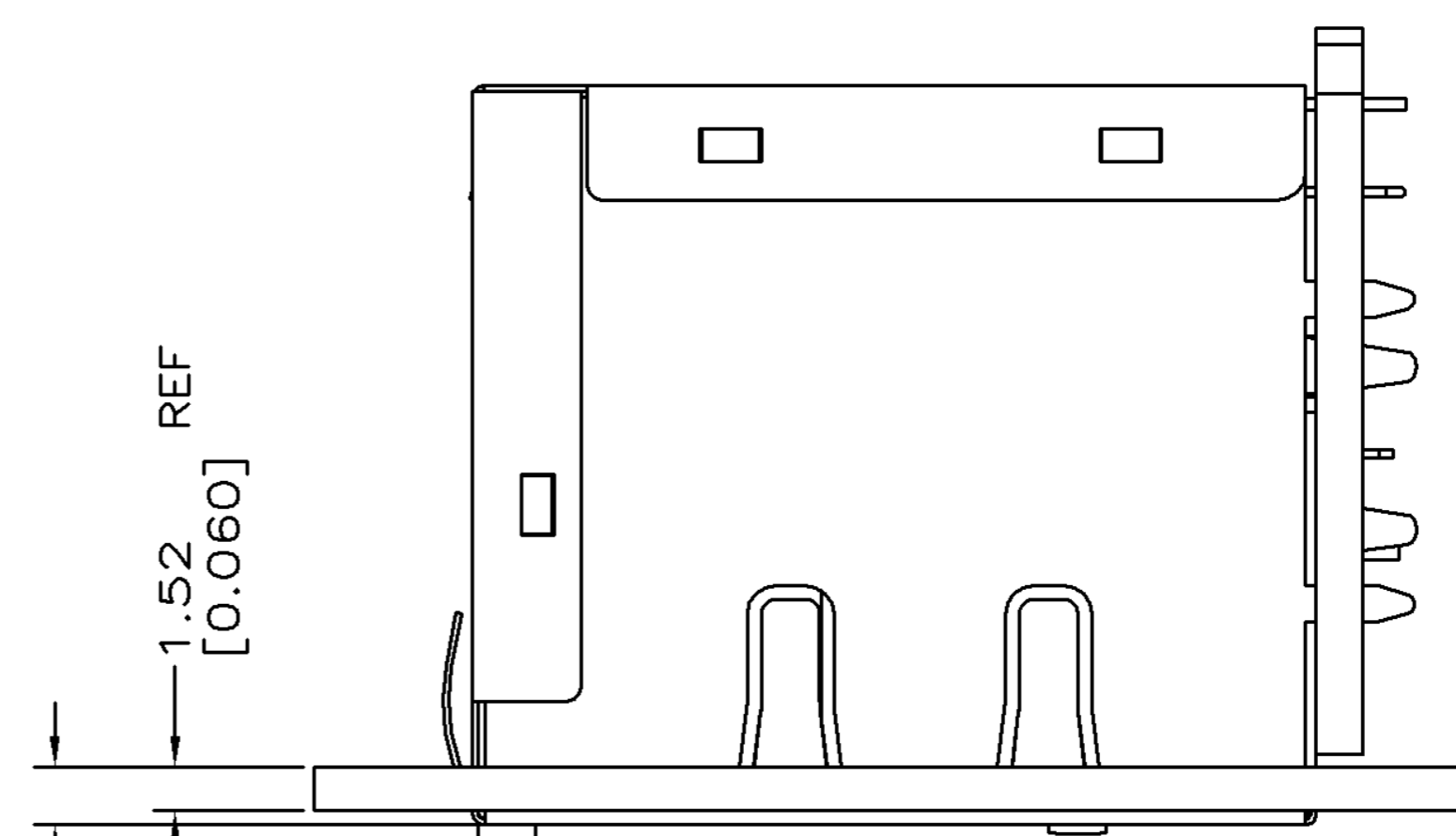


R1 - R4 = 75 OHMS, 1/16 W, 5% RESISTORS.
 C1 = 1000pF, 2kV DECOUPLING CAPACITOR FOR 6620004-1
 C1 = 1000pF, 3kV DECOUPLING CAPACITOR FOR 6620004-2 AND -11



1-6620004-1 ONLY

6620004-1 AND 6620004-2



THIS DRAWING IS A CONTROLLED DOCUMENT.		ZJ4J2R205		ZJ4J2R205		ZJ4J2R205		ZJ4J2R205		ZJ4J2R205	
DRAWN BY: P. DAMATO		CHECKED BY: P. DAMATO		APPROVED BY: P. DAMATO		MODEL NAME: MAGJACK		OVER USB NON-PoE		CUSTOMER DRAWING	
DIMENSIONS: MM		TOLERANCES UNLESS OTHERWISE SPECIFIED:		0 PLC ± 0.25		1 PLC ± 0.25		2 PLC ± 0.25		3 PLC ± 0.25	
PRODUCT SPEC: 108-2100		APPLICATION SPEC: -		ANGLES: -		SIZE: A1		CASE CODE: UR204P12, 10/100 CIRCUIT, W/ LEDS		RESTRICTED TO: -	
SCALE: 1:1		SHEET: 2		OF: 2		REV: G		DONGSUAN CHINA		TRP CONNECTOR	