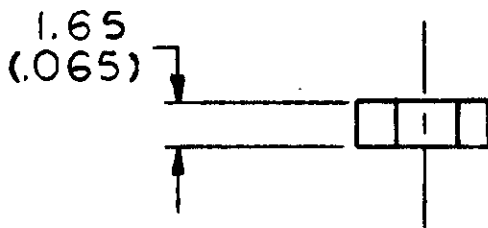
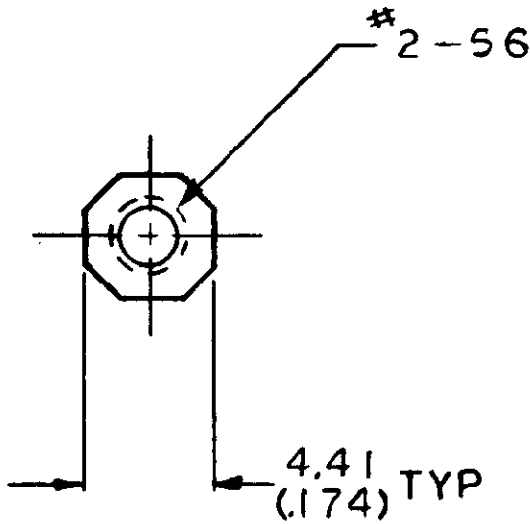


REVISIONS					
P	F	LTR	DESCRIPTION	DATE	APPROVED
✓			0 RELEASED	12/6/84	RKS



MATERIAL: STAINLESS STEEL
FINISH: PASSIVATE



METRIC

532939 - 1 IS AS SHOWN

THIS DRAWING IS UNPUBLISHED. RELEASED FOR PUBLICATION

© COPYRIGHT 19 BY AMP INCORPORATED, HARRISBURG, PA. ALL INTERNATIONAL RIGHTS RESERVED. AMP PRODUCTS MAY BE COVERED BY U.S. AND FOREIGN PATENTS AND/OR PATENTS PENDING.

PART NO

UNLESS OTHERWISE SPECIFIED DIMENSIONS ARE IN INCHES. TOLERANCES ON: DECIMALS ± 0.13 (.005) ANGLES ±	CONTRACT NO	AMP INCORPORATED Harrisburg, Pa. 17105		
	DR <i>Rich Seifried</i> 12-7-84			
MATERIAL	CHK <i>D.C. Fubendall</i> 12-7-84	OCTAGONAL NUT		
FINISH	APPD <i>D.C. Fubendall</i> 12-7-84	SIZE	FSCM NO	DRAWING NO
	DSGN APPD	A	00779	532939
	OTHER APPD	SCALE	4:1	SHEET 1 OF 1