

PLEASE CHECK WWW.MOLEX.COM FOR LATEST PART INFORMATION

Part Number: **0521160410**
Status: **Active**
Overview: Mizu Sealed Connectors
Description: Mizu-P25 2.50mm Pitch Waterproof Wire-to-Wire Plug Housing, 4 Circuits, White

Documents:

3D Model	Application Specification AS-52117-001-001 (PDF)
Drawing (PDF)	Application Specification AS-52117-001-JP-001 (PDF)
3D Model (PDF)	Packaging Specification 521160000-P00 (PDF)
Product Specification PS-52117-008-001 (PDF)	RoHS Certificate of Compliance (PDF)

Agency Certification

UL E29179

Application tooling part link

Application Tooling Part Link 57130-6000
 Application Tooling Part Link 62202-4400

General

Product Family Crimp Housings
 Series 52116
 Application Signal, Wire-to-Wire
 Overview Mizu Sealed Connectors
 Product Name Mizu-P25 Waterproof, Splash Proof
 UPC 800754368582

Physical

Circuits (maximum) 4
 Color - Resin White
 Gender Plug
 Glow-Wire Capable No
 Lock to Mating Part Yes
 Material - Resin Polyester
 Net Weight 1829.700/mg
 Number of Rows 1
 Packaging Type Tray
 Panel Mount No
 Pitch - Mating Interface 2.50mm
 Stackable No
 Temperature Range - Operating -40° to +105°C

Electrical

Current - Maximum per Contact 3.0A

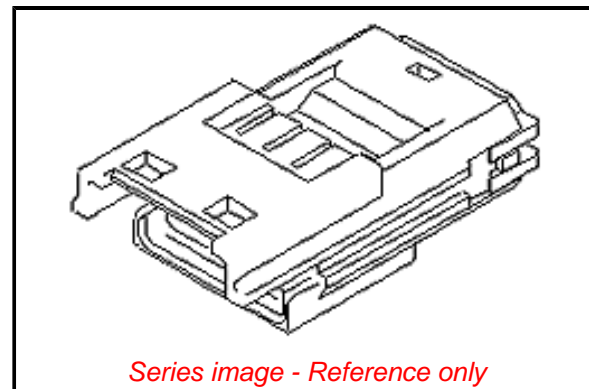
Solder Process Data

Lead-freeProcess Capability N/A

Material Info

Reference - Drawing Numbers

Application Specification AS-52117-001-001, AS-52117-001-JP-001
 Packaging Specification 521160000-P00
 Product Specification PS-52117-008-001
 Sales Drawing SD-52116-002-001



Series image - Reference only

EU ELV

Compliant

EU RoHS

Compliant

REACH SVHC

Not Contained Per -
 D(2021)10043-DC (17
 Jan 2022)

Halogen-Free

Status

Not Low-Halogen

For more information, please visit [Contact US](#)

China ROHS

ELV

RoHS Phthalates

Green Image

Compliant

Not Contained

Search Parts in this Series

52116 Series

Mates With

52117 Mizu-P25 2.50mm Pitch Waterproof Wire-to-Wire Receptacle Housing

Use With

50038 Mizu-P25 Crimp Terminal

Application Tooling | FAQ

Tooling specifications and manuals are found by selecting the products below. Crimp Height Specifications are then contained in the Application Tooling Specification document.

Global

Description	Product #
--------------------	------------------

Sealing Cap Hand Tool	<u>622024400</u>
-----------------------	------------------

Japan

Description	Product #
--------------------	------------------

Sealing Cap Attachment Tool	<u>571306000</u>
-----------------------------	------------------

This document was generated on 03/01/2022

PLEASE CHECK WWW.MOLEX.COM FOR LATEST PART INFORMATION