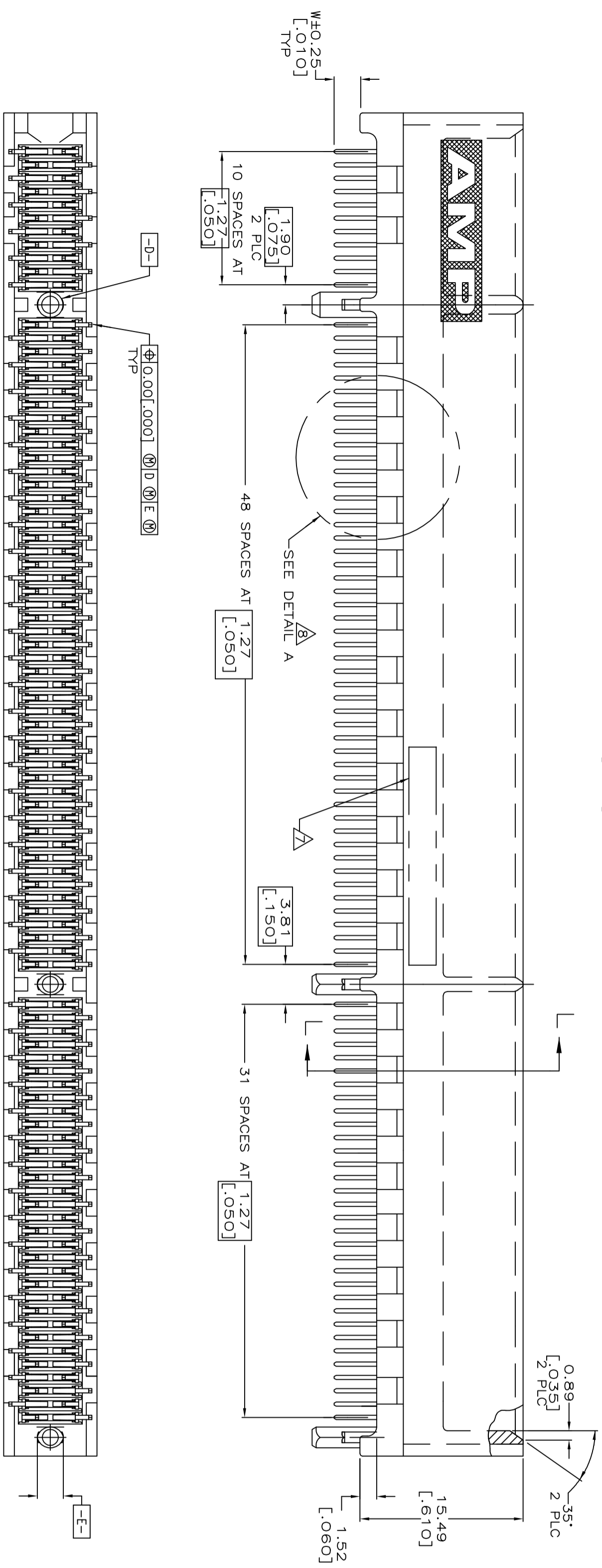
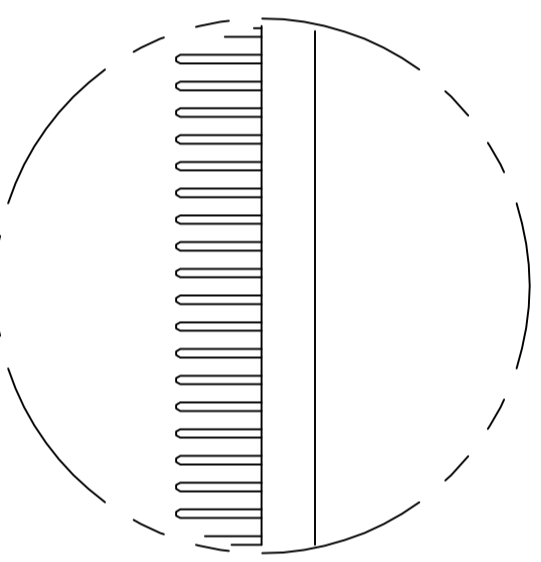


128.0
[5.04]

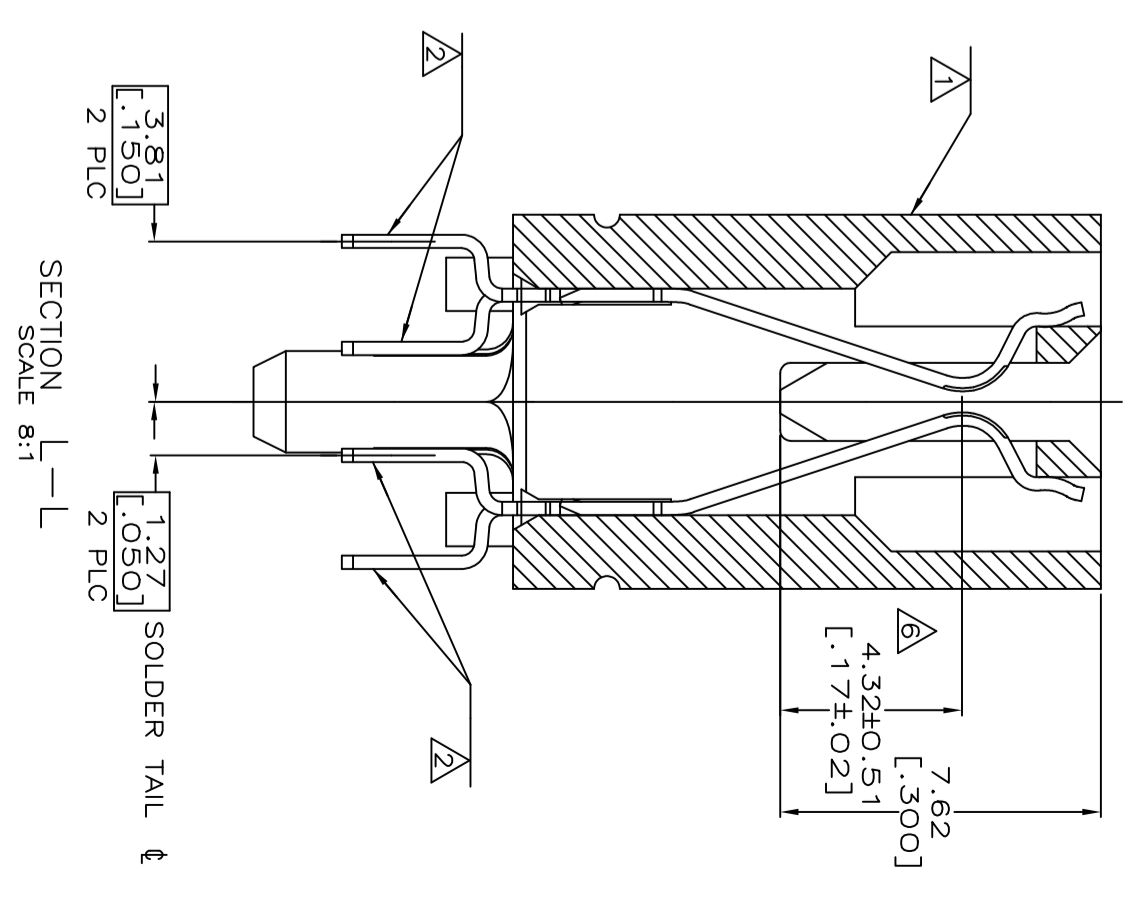
SEE SHEET 2 FOR NOTES



SEE SHEET 2 FOR HOLE PATTERN



DETAIL A



OBsolete

3.56 [1.40]	5	1-5145165-2
3.17 [1.25]	6	5145165-8
2.54 [1.00]	5	5145165-4
2.54 [1.00]	4	5145165-2
2.54 [1.00]	3	5145165-1

W	FINISH	PART NUMBER

THIS DRAWING IS A CONTROLLED DOCUMENT.

DATE	04 FEB 05
BY	AL FRANTZ

STE TE Connectivity Ltd.

CONNECTOR ASSEMBLY
92 DUAL POSITION .050 SERIES,
STANDARD EDGE

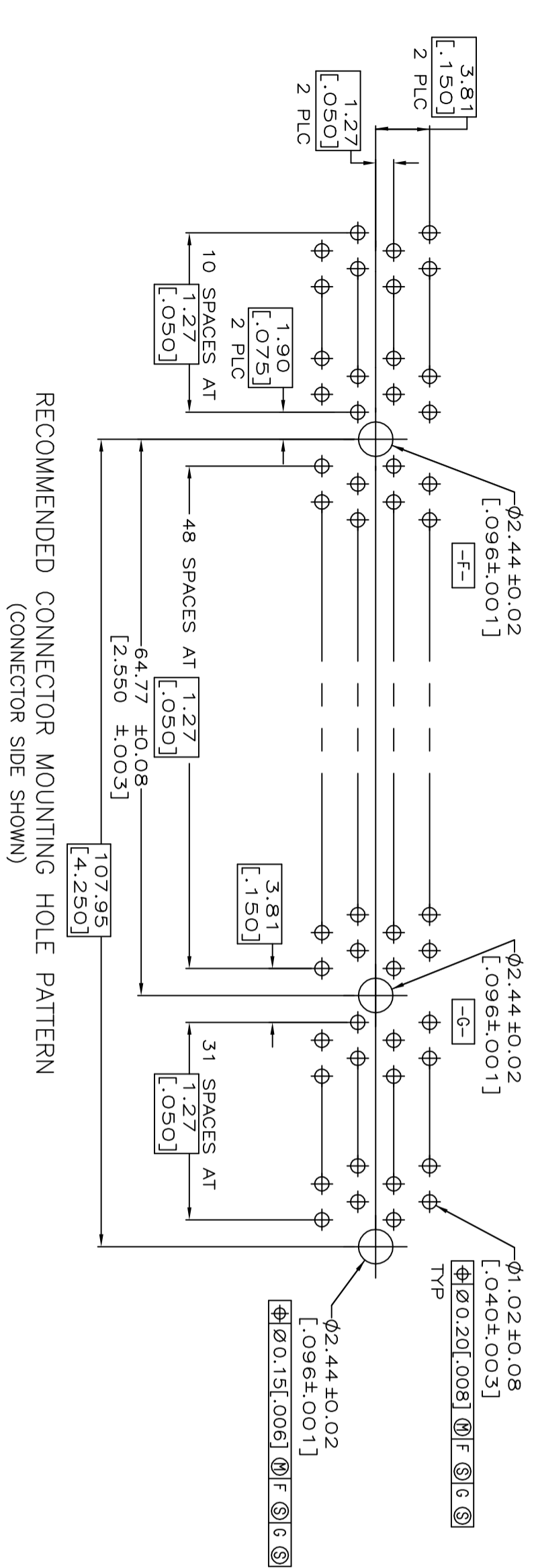
PRODUCT SPEC 108-14034
APPLICATION SPEC 114-26012

SIZE A1 CODE 00779 ©=5145165

CUSTOMER DRAWING

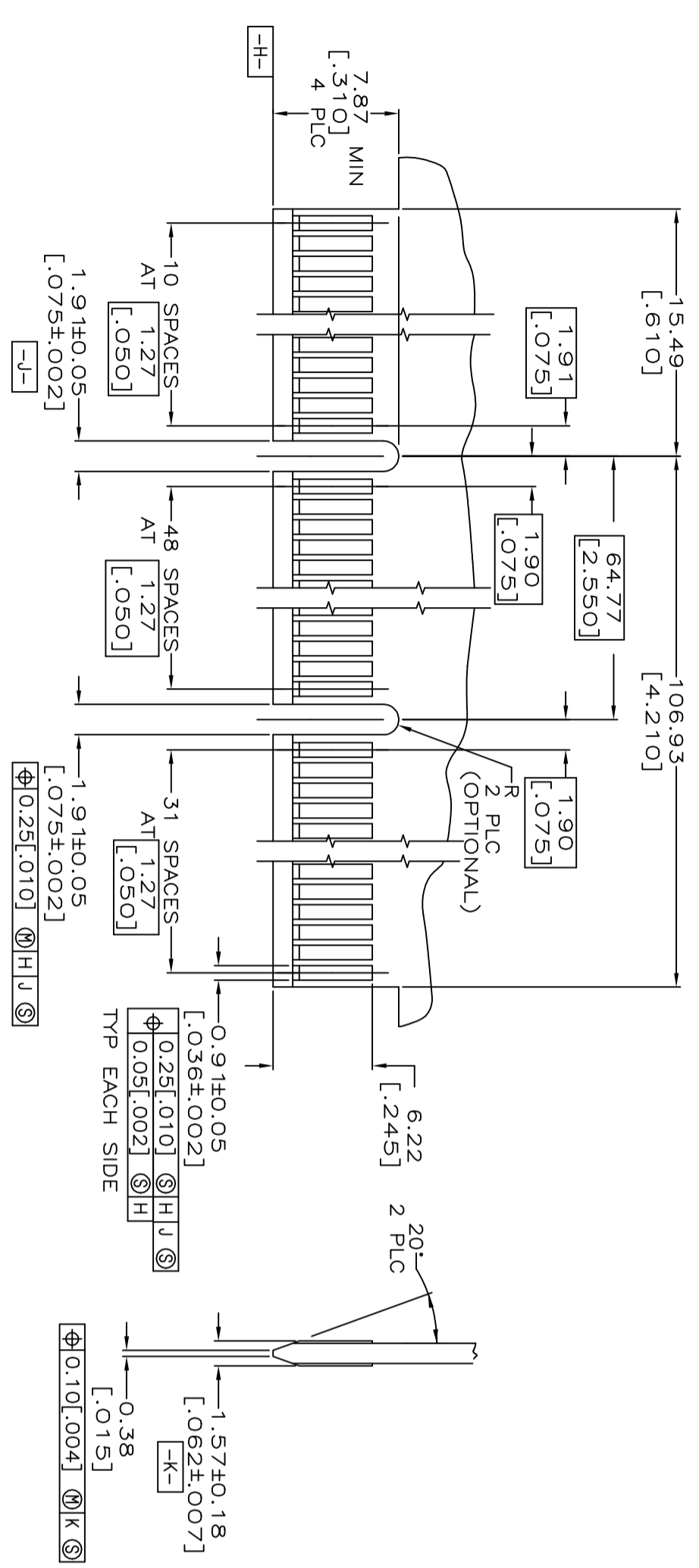
SCALE 4:1 SHEET 1 OF 2 REV D

REV	DATE	BY	CHK	APP
1				



RECOMMENDED CONNECTOR MOUNTING HOLE PATTERN
(CONNECTOR SIDE SHOWN)

- △ HOUSING: HIGH TEMPERATURE THERMOPLASTIC.
COLOR = NATURAL
- △ CONTACT: PHOSPHOR BRONZE.
- △ CONTACT FINISH: 0.00127[.000050] MIN NICKEL ALL OVER.
GOLD FLASH OVER NICKEL IN CONTACT AREA.
0.00254[.000100] MIN MATTE TIN OVER NICKEL ON SOLDER TAILS.
- △ CONTACT FINISH: 0.00127[.000050] MIN NICKEL ALL OVER.
0.00038[.000015] GOLD OVER NICKEL IN CONTACT AREA.
0.00254[.000100] MIN MATTE TIN OVER NICKEL ON SOLDER TAILS.
- △ CONTACT FINISH: 0.00127[.000050] MIN NICKEL ALL OVER.
0.00076[.000030] GOLD OVER NICKEL IN CONTACT AREA.
0.00254[.000100] MIN MATTE TIN OVER NICKEL ON SOLDER TAILS.
- △ DISTANCE FROM CONTACT POINT TO BOTTOM OF CARD SLOT.
- △ AMP PART NUMBER, DATE CODE AND CSA LOGO MARKED IN APPROXIMATE LOCATION SHOWN.
- △ CORED OR SOLID SIDE WALLS ARE AT DISCRETION OF AMP INCORPORATED.



RECOMMENDED MATING BOARD EDGE CONFIGURATION

THIS DRAWING IS A CONTROLLED DOCUMENT.		REV	DATE	BY	CHK	APP
DIMENSIONS: mm		04 FEB 05	04 FEB 05			
OTHERS: UNLESS OTHERWISE SPECIFIED:		AL FRANTLW				
0 PLC	#	NAME	92	CONNECTOR ASSEMBLY		
1 PLC	#	PRODUCT SPEC	108-14034	CONNECTION POSITION .050 SERIES		
2 PLC	#	APPLICATION SPEC	114-26012	STANDARD EDGE		
3 PLC	#	SIZE	A1	DATE CODE	5145165	
4 PLC	#	WEIGHT		DRAWING NO	00779	
FINISH				CUSTOMER DRAWING		