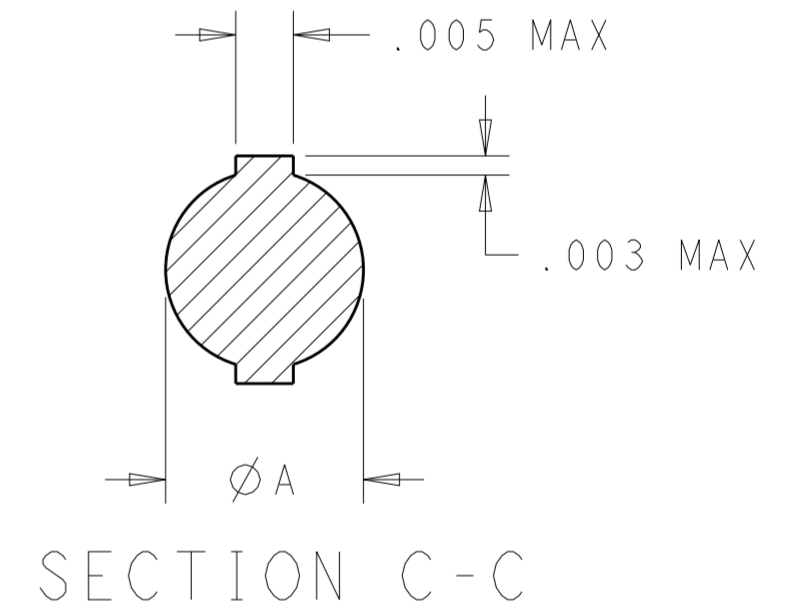
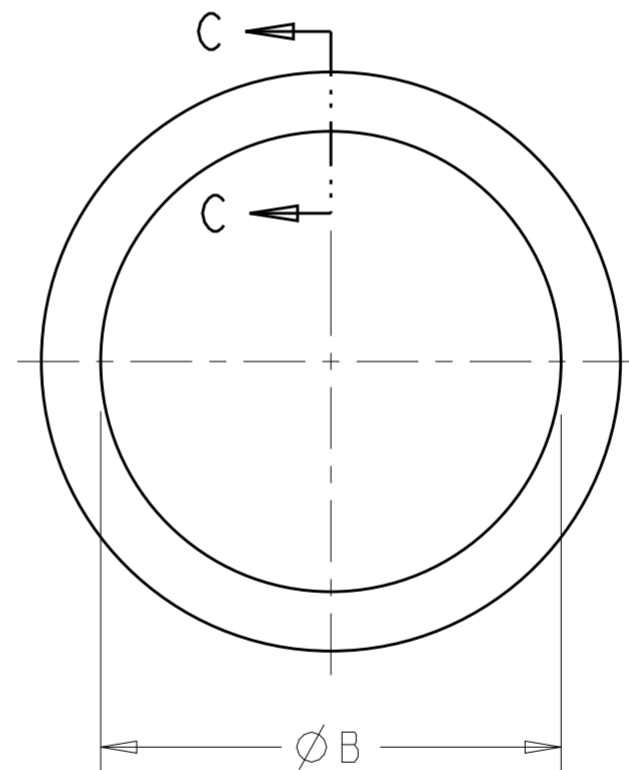


THIS DRAWING IS A CONTROLLED DOCUMENT

NUMBER
21084

PART NUMBER	REV	MASS REF Grams	A	B	MFR PART NO
21084-1	G	.48	.103 ±.003	.799 ±.010	N0674-70 2-117
21084-2	G	.52	.103 ±.003	.862 ±.010	N0674-70 2-118
21084-3	G	.55	.103 ±.003	.924 ±.010	N0674-70 2-119
21084-4	G	.58	.103 ±.003	.987 ±.010	N0674-70 2-120
21084-5	G	.62	.103 ±.003	1.049 ±.010	N0674-70 2-121
21084-6	G	.65	.103 ±.003	1.112 ±.010	N0674-70 2-122
21084-7	G	.68	.103 ±.003	1.174 ±.012	N0674-70 2-123
21084-8	G	.72	.103 ±.003	1.237 ±.012	N0674-70 2-124
21084-9	G	.75	.103 ±.003	1.299 ±.012	N0674-70 2-125
1-21084-0	G	.79	.103 ±.003	1.362 ±.012	N0674-70 2-126
1-21084-1	G	.82	.103 ±.003	1.424 ±.012	N0674-70 2-127
1-21084-2	G	.85	.103 ±.003	1.487 ±.012	N0674-70 2-128
1-21084-3	G	.89	.103 ±.003	1.549 ±.015	N0674-70 2-129
1-21084-4	G	.92	.103 ±.003	1.612 ±.015	N0674-70 2-130
1-21084-5	G	.95	.103 ±.003	1.674 ±.015	N0674-70 2-131
1-21084-6	G	.99	.103 ±.003	1.737 ±.015	N0674-70 2-132
1-21084-7	G	1.02	.103 ±.003	1.799 ±.015	N0674-70 2-133
1-21084-8	G	1.05	.103 ±.003	1.862 ±.015	N0674-70 2-134
1-21084-9	G	1.09	.103 ±.003	1.925 ±.017	N0674-70 2-135
2-21084-0	G	1.12	.103 ±.003	1.987 ±.017	N0674-70 2-136
2-21084-1	G	1.15	.103 ±.003	2.050 ±.017	N0674-70 2-137
2-21084-2	G	1.19	.103 ±.003	2.112 ±.017	N0674-70 2-138
2-21084-3	G	1.22	.103 ±.003	2.175 ±.017	N0674-70 2-139
2-21084-4	G	1.25	.103 ±.003	2.237 ±.017	N0674-70 2-140
2-21084-5	G	1.29	.103 ±.003	2.300 ±.020	N0674-70 2-141
2-21084-6	G	1.32	.103 ±.003	2.362 ±.020	N0674-70 2-142
2-21084-7	G	1.36	.103 ±.003	2.425 ±.020	N0674-70 2-143
2-21084-8	G	1.39	.103 ±.003	2.487 ±.020	N0674-70 2-144
2-21084-9	G	1.42	.103 ±.003	2.550 ±.020	N0674-70 2-145
3-21084-0	G	1.46	.103 ±.003	2.612 ±.020	N0674-70 2-146
3-21084-1	G	1.49	.103 ±.003	2.675 ±.022	N0674-70 2-147
3-21084-2	G	1.52	.103 ±.003	2.737 ±.022	N0674-70 2-148
3-21084-3	G	1.56	.103 ±.003	2.800 ±.022	N0674-70 2-149
3-21084-4	G	1.59	.103 ±.003	2.862 ±.022	N0674-70 2-150
3-21084-5	G	1.66	.103 ±.003	2.987 ±.024	N0674-70 2-151
3-21084-6	G	1.79	.103 ±.003	3.237 ±.024	N0674-70 2-152
3-21084-7	G	1.92	.103 ±.003	3.487 ±.024	N0674-70 2-153
3-21084-8	G	2.06	.103 ±.003	3.737 ±.028	N0674-70 2-154
3-21084-9	G	2.19	.103 ±.003	3.987 ±.028	N0674-70 2-155
4-21084-0	G	2.33	.103 ±.003	4.237 ±.030	N0674-70 2-156
4-21084-1	G	2.46	.103 ±.003	4.487 ±.030	N0674-70 2-157
4-21084-2	G	2.60	.103 ±.003	4.737 ±.030	N0674-70 2-158
4-21084-3	G	2.73	.103 ±.003	4.987 ±.035	N0674-70 2-159
4-21084-4	G	2.86	.103 ±.003	5.237 ±.035	N0674-70 2-160
4-21084-5	G	3.00	.103 ±.003	5.487 ±.035	N0674-70 2-161

- MANUFACTURER/VENDOR PART NUMBER:
SEE TABLE
- MANUFACTURER/VENDOR:
PARKER-HANNIFIN CORPORATION, SEAL DIVISION
www.parker.com
- DIMENSIONS/TOLERANCES:
ALL DIMENSIONS ARE NOMINAL
UNLESS OTHERWISE SPECIFIED.
- COMPLIANCE:
RoHS COMPLIANT
- REQUIRED CHARACTERISTICS/PERFORMANCE:
MATL: NITRILE (BUNA N) PER PARKER COMPOUND N0674-70, BLACK
HARDNESS RATING: 70±5 DUROMETER SHORE A
TEMPERATURE RANGE: -30° TO 250°F CONTINUOUS SERVICE
SEE TABLE FOR ADDITIONAL INFORMATION
- ALTERNATE PART NUMBER AND
MANUFACTURER/VENDOR:
TE ENGINEERING APPROVED EQUIVALENT.



THIS INFORMATION IS CONFIDENTIAL AND PROPRIETARY TO TYCO ELECTRONICS CORPORATION AND ITS WORLDWIDE SUBSIDIARIES AND AFFILIATES (TE). IT MAY NOT BE DISCLOSED TO ANYONE, OTHER THAN TE PERSONNEL, WITHOUT AUTHORIZATION FROM TE (www.te.com).

APPLICATION TOOLING COMMERCIALY PURCHASED PRODUCT SPECIFICATION

T	ADD -83, -84 / ECR-17-009972	25JUL2017	DJG	-
LTR	REVISION RECORD	DATE	DWN	APVD

DIMENSIONS: IN		MATERIAL SEE NOTES	FINISH -	
SIZE A2	NUMBER 21084	SHEET 1	OF 2	REV T

