

CHEMINAX

SPECIFICATION CONTROL DRAWING

50 OHM, AWG 12, 7 STRANDS OF AWG 20,
COAXIAL CABLE

5012H3012

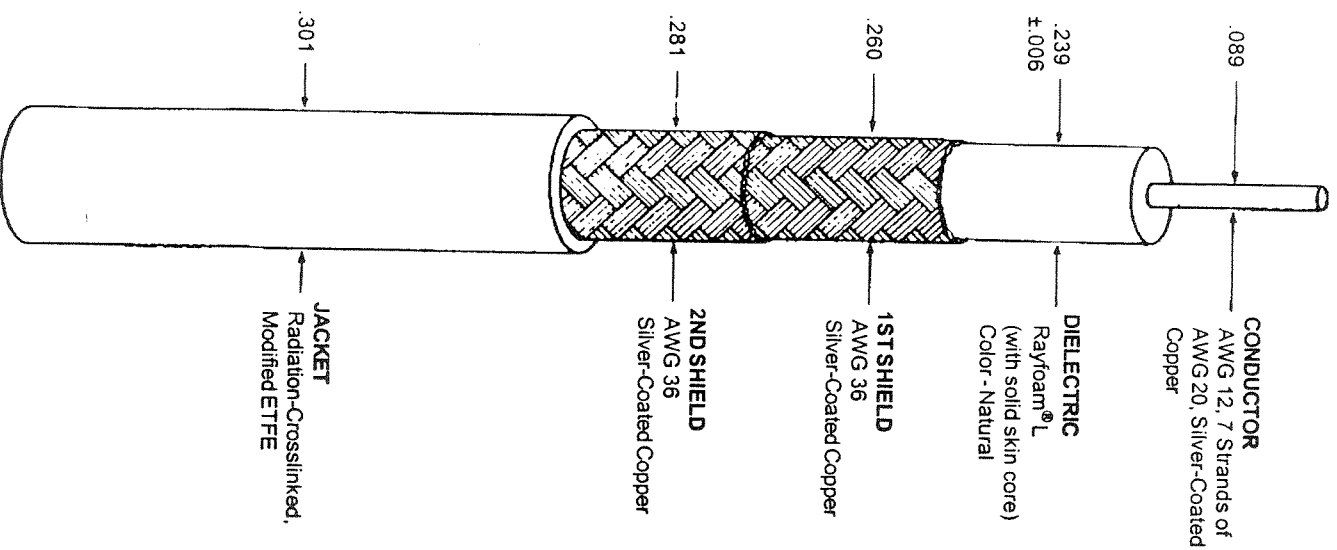
Date: 10-13-99

Revision: U

THIS SPECIFICATION SHEET FORMS A PART OF THE LATEST ISSUE OF RAYCHEM SPECIFICATION 1200.

CONSTRUCTION DETAILS

DIMENSIONS ARE NOMINAL VALUES IN INCHES UNLESS OTHERWISE DESIGNATED.



ELECTRICAL CHARACTERISTICS

CHARACTERISTIC/IMPEDANCE	50 ± 2 ohms, Method A
CAPACITANCE	25.0 pF/ft. (minimum)
VELOCITY OF PROPAGATION	77% (nominal)
ATTENUATION	6.2 dB/100 ft. (maximum) at 400 MHz

ADDITIONAL REQUIREMENTS

ELECTRICAL

CONDUCTOR RESISTANCE	1.7 ohms/1000ft. (nominal)
INSULATION RESISTANCE	10,000 megohms (minimum) for 1000 ft.
JACKET FLAWS	1.0 kV (rms), 60 Hz
VOLTAGE WITHSTAND (DIELECTRIC)	1000 volts (rms) (minimum)
SHIELD RESISTANCE	2.2 ohms/1000 ft. (nominal)
VSWR	FREQUENCY (MHz) STRUCTURAL RETURN LOSS (db)

2.8 - 24	15.6 (minimum)
108 - 136	15.6 (minimum)
960 - 1215	15.6 (minimum)
4200 - 4400	14.0 (minimum)

When terminated with approved connectors

ENVIRONMENTAL

AGING STABILITY	135°C/-55°C/8,000 inch mandrel
FLAMMABILITY	Method B
HEAT SHOCK	225°C
LOW TEMPERATURE-COLDBEND	-55°C/8,000 inch mandrel
SKYDROL RESISTANCE	24 hours at 50 ± 1°C, change in O.D. of 5% (maximum)
VOLTAGE WITHSTAND (POST ENVIRONMENTAL)	1000 volts (rms), 1 minute

PHYSICAL

INSULATION/DIELECTRIC ELONGATION	50% (minimum)
TENSILE STRENGTH JACKET	800 lbf/in ² (minimum)
ELONGATION TENSILE STRENGTH JACKET THICKNESS	50% (minimum)
SHIELD COVER AGE (EACH INSULATION/DIELECTRIC) CONCENTRICITY	5000 lbf/in ² (minimum) .010 inch (nominal) 90% (minimum) 75% (minimum)

PRODUCT IDENTIFICATION: The cable shall be marked in a contrasting color at 6 inch (nominal) intervals between marks as follows:
5012H3012-06090

Replaces EPD 5883

WEIGHT

67.9 lbs/1000ft. (nominal)

Outer jacket color will be black (designated by a "-0" appended to part number, e.g., 5012H3012-0) unless otherwise specified.
signate outer jacket color with a dash number in accordance with MIL-STD-681.

Raychem

Raychem
300 Constitution Drive
Menlo Park, California 94025
400-2 Raychem 1-415-361-6297

THIS SPECIFICATION SHEET TAKES PRECEDENCE OVER DOCUMENTS REFERENCED HEREIN. REFERENCE DOCUMENTS SHALL BE OF THE ISSUE IN EFFECT ON DATE OF INVITATION FOR BID.