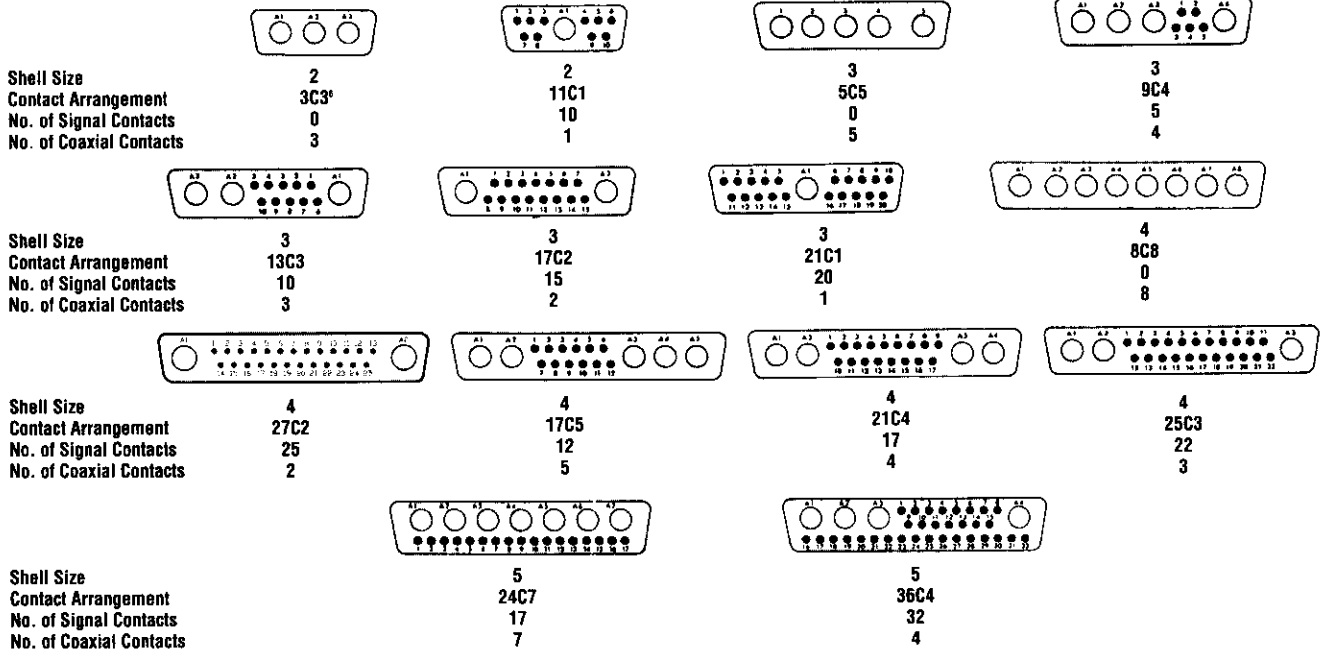


**Crimp, Power/Coax/Signal Combination Standard Density,
Series 109 Connectors**



Material and Finish:

Shell — Steel or copper alloy

Plating — Cadmium, tin or gold

Insert — Approved material per MIL-DTL-24308

Retention Clips — Stainless steel or copper alloy

Contact Selection:

Standard:

- Size 8 coax: Table I, page 5125
- Size 8 power: page 5124
- Size 20 signal: pages 5102-5104, 5107 and 5108

Blindmate:

- Size 8 coax: Table II, page 5126
- Size 8 power: page 5124
- Size 20 signal: pages 5102-5104, 5107 and 5108

Insert Arrangement	Standard								Blindmate	
	Cad Plated Steel Shell (.120 Mounting Hole)		Tin Plated Steel Shell (.120 Mounting Hole)		NASA Gold Plated Brass (.120 Mounting Hole)		NASA Gold Plated Brass (.154 Mounting Hole)		Cad Plated Steel Shell (.120 Mounting Hole)	
	Plug (Pin)	Receptacle (Socket)	Plug (Pin)	Receptacle (Socket)	Plug (Pin)	Receptacle (Socket)	Plug (Pin)	Receptacle (Socket)	Plug (Pin)	Receptacle (Socket)
3C3	448153-1	445705-4	448153-4	445705-1	448153-2	445705-2	448153-3	445705-3	447717-1	447718-1
11C1	211111-1	211112-1	211111-4	211112-4	211111-2	211112-2	211111-3	211112-3	447721-1	447722-1
5C5	212491-1	212059-1	212491-3	212059-3	212491-6	212059-2	212491-7	212059-6	446630-1	212049-3
9C4	212498-1	212502-1	212498-4	212502-5	212498-2	212502-2	212498-3	212502-3	445701-1	212051-2
13C3	208810-1	208811-1	208810-2	208811-2	208810-3	208811-3	208810-4	208811-4	447723-1	212057-2
17C2	212506-1	212510-1	212506-5	212510-4	212506-2	212510-2	212506-4	212510-3	447724-1	212053-3
21C1	212522-1	212526-1	212522-2	212526-2	212522-3	212526-3	212522-4	212526-4	447727-1	212055-2
8C8	446405-1	445730-1	446405-4	445730-5	446405-2	445730-3	446405-3	445730-4	447719-1	447720-1
27C2	212538-1	212542-1	212538-4	212542-4	212538-2	212542-2	212538-3	212542-3	447732-1	447733-1
17C5	212514-1	212518-1	212514-5	212518-5	212514-3	212518-3	212514-4	212518-4	447725-1	447726-1
21C4	212530-1	212534-1	212530-4	212534-4	212530-2	212534-2	212530-3	212534-3	447728-1	445726-1
25C3	208742-1	208551-1	208742-4	208551-4	208742-2	208551-2	208742-3	208551-3	447730-1	447731-1
24C7	208743-1	208552-1	208743-4	208552-4	208743-2	208552-2	208743-6	208552-5	446631-1	445000-2
36C4	208744-1	208550-1	208744-5	208550-4	208744-3	208550-2	208744-4	208550-3	446710-1	446711-1

Notes:

- NASA connectors listed above are qualified to NASA specification 311-P-405. See pages 5156 and 5157 for NASA cross reference.
- Plug insert arrangements shown. Receptacle arrangement is mirror image.
- Cable clamp/strain relief hardware cannot be used with these arrangements.
- See pages 5146 and 5147 for PCB layouts.
- Blindmate plugs feature a chamfered lead-in on the front shell, which is constructed of aluminum alloy. See page 5109 for shell dimensions. Blindmate receptacles feature float bushings installed in the mounting holes. See pages 5105 and 5106 for shell dimensions.
- The 3C3 arrangement can be mated 180°. Contact Tyco Electronics or call Technical Support for keyed Part Numbers.
- All connector plugs with grounding indents except the cadmium plated.