

Small Push-Pull Solenoid - 12VDC

PRODUCT ID: 412

OUT OF STOCK

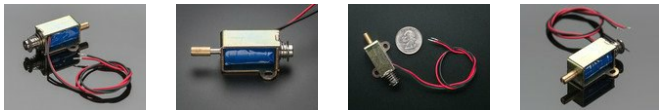
Please enter your details below and we will send you an email when this item is back in stock. You will only be emailed about this product!

YOUR NAME

YOUR EMAIL

NOTIFY ME

ADD TO WISHLIST

[DESCRIPTION](#)[TECHNICAL DETAILS](#)[LEARN](#)

DESCRIPTION

Solenoids are basically electromagnets: they are made of a big coil of copper wire with an armature (a slug of metal) in the middle. When the coil is energized, the slug is pulled into the center of the coil. This makes the solenoid able to pull (from one end) or push (from the other)

This solenoid in particular is fairly small, with a 30mm long body and a 'captive' armature with a return spring. This means that when activated with up to 12VDC, the solenoid moves and then the voltage is removed it springs back to the original position, which is quite handy. Many lower cost solenoids are only push type or only pull type and may not have a captive armature (it'll fall out!) or don't have a return spring. This one even has nice mounting tabs, its a great all-purpose solenoid.

To drive a solenoid you will need a [power transistor and a diode](#), check [this diagram for how to wire it to an Arduino or other microcontroller](#). You will need a fairly good power supply to drive a solenoid, as a lot of current will rush into the solenoid to charge up the electro-magnet, about 250mA, so **don't** try to power it with a 9V battery!

TECHNICAL DETAILS

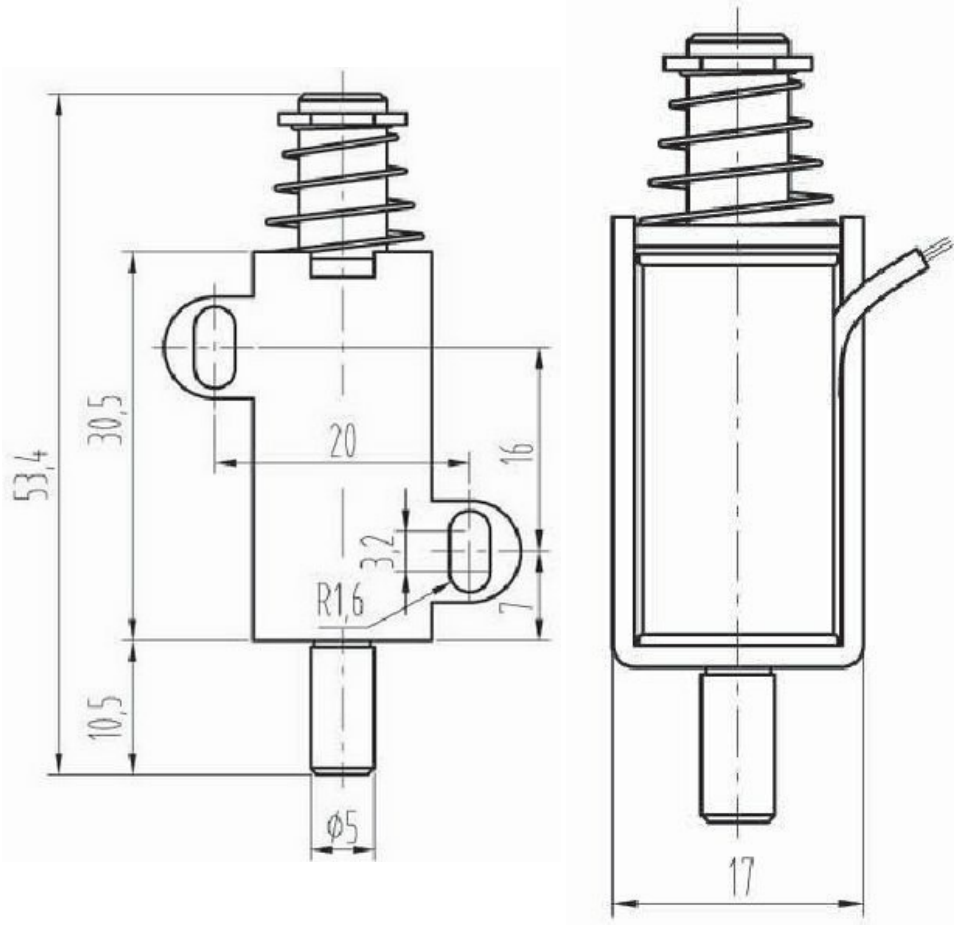
Details:

- 12 VDC operation (please note lower voltage results in weaker/slower operation) - 250mA current draw
- Push or pull type with 5.5 mm throw

- DC coil resistance: 40 ohms
- 5 Newton starting force (12VDC)
- 1.4 oz / 39 grams

Revision History

- As of Jan 17, 2018 we're selling this solenoid with a 12VDC actuation voltage instead of 24V



LEARN



Biometric Lock Box

A triple-security lock box for your most valuable possessions



Mystery Box: The Nautical Crate

Build your own locking mystery box which can only be opened with a magnet in just the right place!

MAY WE ALSO SUGGEST...



12V 5A switching power



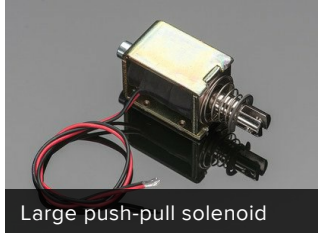
Female DC Power adapter -



N-channel power MOSFET



9 VDC 1000mA regulated



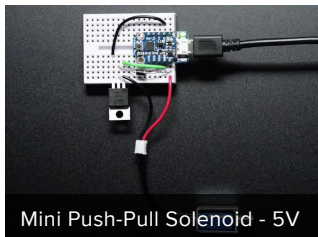
Large push-pull solenoid



ULN2803: 8 Channel



Plastic Water Solenoid Valve



Mini Push-Pull Solenoid - 5V



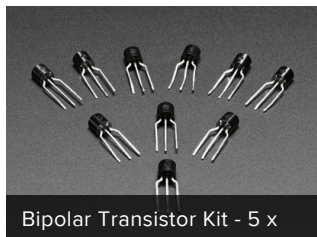
DC Toy / Hobby Motor - 130



Brass Liquid Solenoid Valve



Lock-style Solenoid - 12VDC



Bipolar Transistor Kit - 5 x

DISTRIBUTORS [EXPAND TO SEE DISTRIBUTORS](#)

[CONTACT](#)

[SUPPORT](#)

[DISTRIBUTORS](#)

[EDUCATORS](#)

[JOBS](#)

[FAQ](#)

[SHIPPING & RETURNS](#)

[TERMS OF SERVICE](#)

[PRIVACY & LEGAL](#)

[ABOUT US](#)

ENGINEERED IN NYC [Adafruit](#)®



4.9 ★★★★★
Google
Customer Reviews