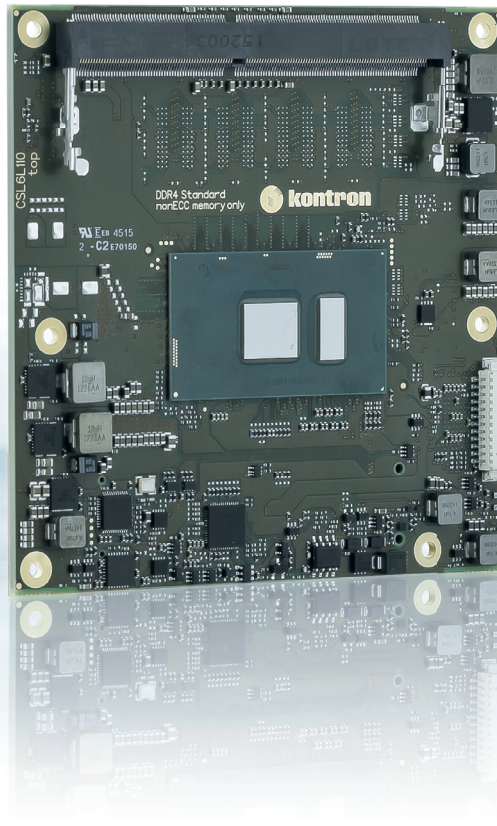


# COMe-cSL6

---



## COM Express® Compact Type 6 with 6th Generation Intel® Core™ Processor

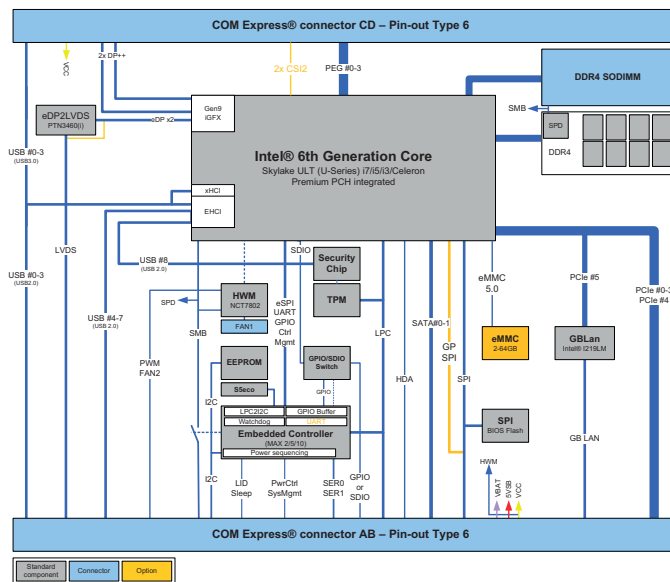
- ▶ COM Express® compact pin-out type 6 Computer-on-Module with 6th Generation Intel® Core™ Processors
- ▶ Up to 24 GByte DDR4 memory (8 GByte DDR4 memory down)
- ▶ Up to 10 lanes PCIe 3.0
- ▶ 4x USB 3.0, 2x SATA 6G

POSSIBILITIES START HERE



## TECHNICAL INFORMATION

COMPLIANCE	COM Express Compact Pin-out Type 6
DIMENSIONS (H x W x D)	95 x 95 mm
CPU	Intel® Core™ i7-6600U (2x 2.60 GHz, GT3, 15 W) Intel® Core™ i5-6300U (2x 2.40 GHz, GT3, 15 W) Intel® Core™ i3-6100U (2x 2.30 GHz, GT2, 15 W) Intel® Celeron® Processor 3955U
CHIPSET	Integrated SoC
MAIN MEMORY	1x DDR4 SO-DIMM up to 16 GByte, 2nd channel DDR4- memory down up to 8 GByte
GRAPHICS CONTROLLER	Intel® HD Graphics 520
ETHERNET CONTROLLER	Intel® I219LM
ETHERNET	10/100/1000 MBit Ethernet
HARD DISK	2x SATA 6Gb/s
FLASH ONBOARD	up to 32 GByte SLC eMMC (depending on SKU - standard feature or available on request)
PCI Express/ PCI SUPPORT	5x PCIe3.0 on PCIe lane 0-4 (3.0 only i5/ i7 SKUs) 5 controllers, 5 x1, 1 x4 + 1x 1 Option: 6 Lanes if no LAN 4x PCIe3.0 on PEG Lanes 0-3 (3.0 only i5/ i7 SKUs) 1 Controller, 1 x4 or 1 x2 or 1 x1, (Intel® RST)
PANEL SIGNAL	DDI1: DP++, DDI2: DP++, DDI3: -, VGA: -, LVDS: Dual Channel 18/24 bit
USB	4x USB 3.0 (incl. USB 2.0) + 4x USB 2.0
SERIAL	2x serial interface (RX/TX only)
AUDIO	Intel® High Definition Audio
COMMON FEATURES	SPI, LPC, SMB, Fast I <sup>2</sup> C, Staged Watchdog, RTC, MARS
BIOS	AMI Aptio V
HUMIDITY	93 % relative Humidity at 40 °C, non-condensing (according to IEC 60068-2-78)
ON REQUEST	vPRO (AMT/TXT/AES Support), eDP instead of LVDS, 1x PCIe x1 additional w/o onboard LAN, max. 32 GByte SLC eMMC, industrial grade -40 °C to +85 °C
POWER MANAGEMENT	ACPI 6.0, S5 Eco
POWER SUPPLY	8.5 V – 20 V Wide Range ATX, Single Supply Power
SPECIAL FEATURES	POSCAP capacitors, Trusted Platform Module TPM 2.0, Security Chip
OPERATING SYSTEMS	Windows® 10, Windows® 8.1, Windows® 7, WES7, Linux, VxWorks
TEMPERATURE	Commercial temperature: 0 °C to +60 °C operating, -30 °C to +85 °C non-operating Extended temperature: -25 °C to +75 °C operating, -30 °C to +85 °C non-operating
SUPPORTED MODULES	COMe-cSL6 xx-xxxxx



## Global Headquarters

### Kontron S&T AG

Lise-Meitner-Str. 3-5  
86156 Augsburg, Germany  
Tel.: + 49 821 4086 0  
Fax: + 49 821 4086 111  
info@kontron.com  
[www.kontron.com](http://www.kontron.com)