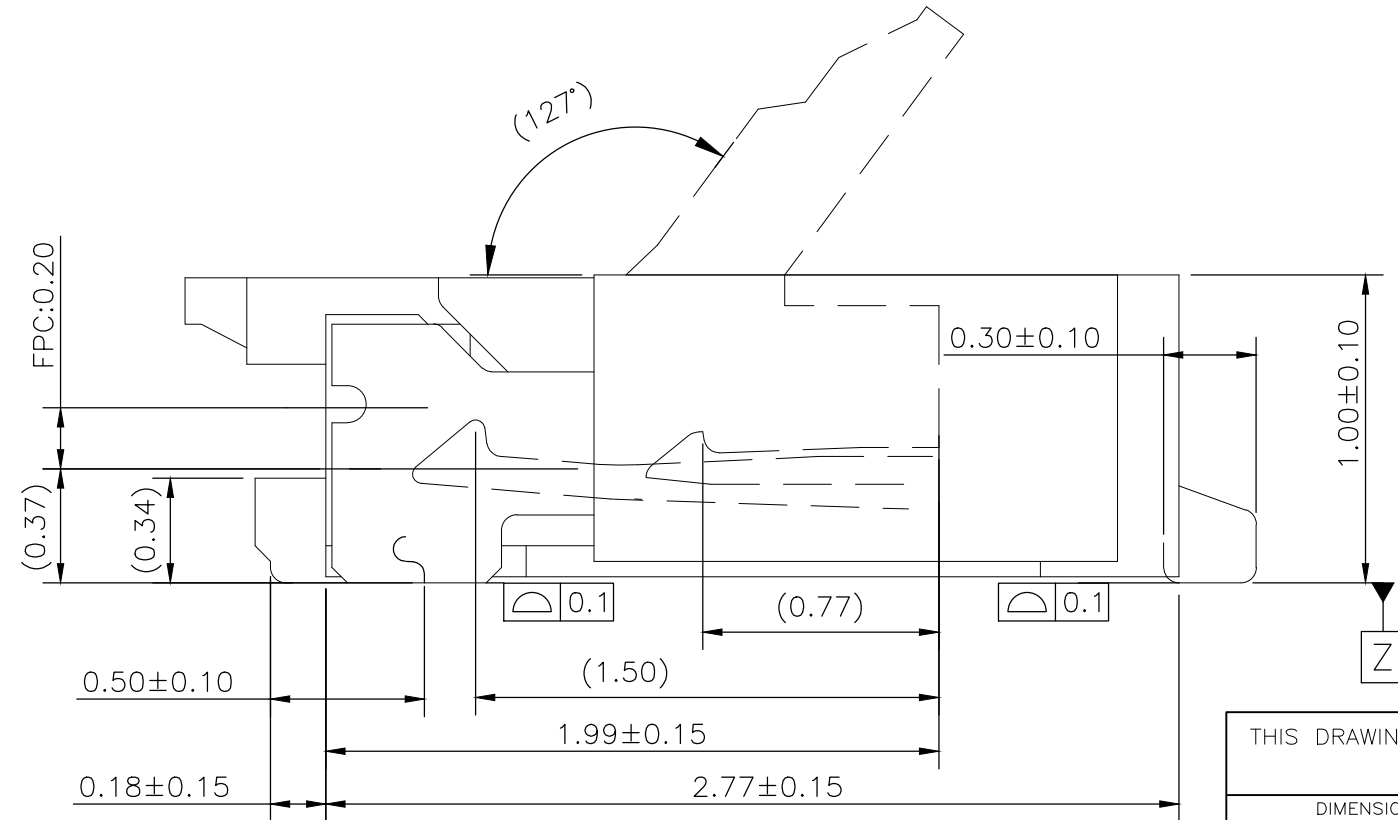
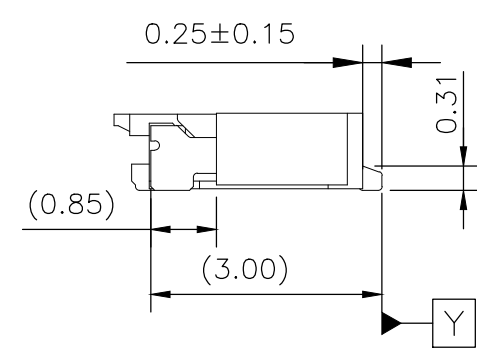
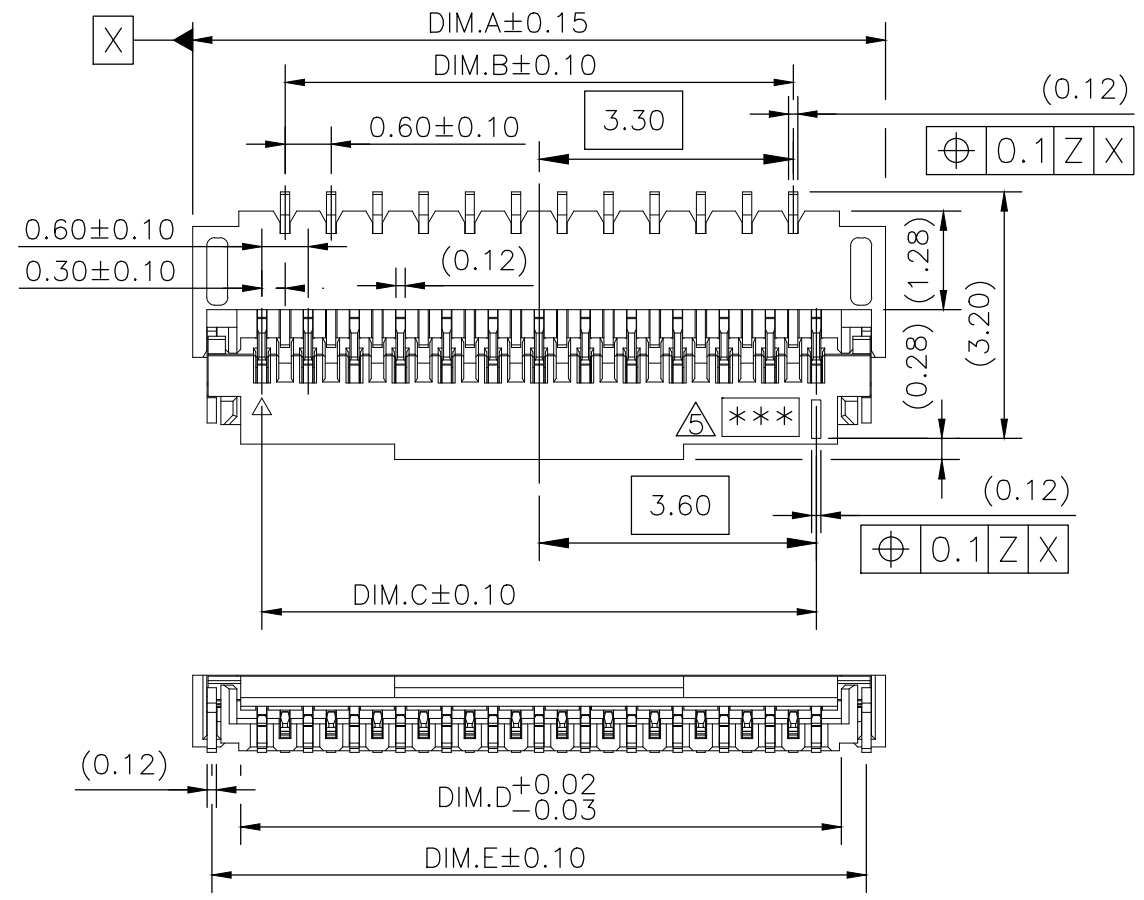


THIS DRAWING IS UNPUBLISHED. RELEASED FOR PUBLICATION
 © COPYRIGHT - - ALL RIGHTS RESERVED.

| REVISIONS | | | | | |
|-----------|-----|-------------------------------|-----------|-----|------|
| P | LTR | DESCRIPTION | DATE | DWN | APVD |
| | 3 | modify the packaging specific | 03AUG2018 | E.Z | W.H |



- NOTES:
- MATERIAL:
 - HOUSING : HIGH TEMPERATURE THERMOPLASTIC UL94V-0, COLOR: NATURAL.
 - ACTUATOR: HIGH TEMPERATURE THERMOPLASTIC UL94V-HB, COLOR: BLACK.
 - CONTACT: COPPER ALLOY.
 - FITTING NAIL : COPPER ALLOY.
 - FINISH:
 - CONTACT: GOLD PLATING 3u" MIN. ON CONTACT AREA. GOLD PLATING 1u" MIN. ON SOLDER TAILS. 50u"MIN. NICKEL UNDERPLATING OVERALL.
 - FITTING NAIL: TIN PLATING 80u" MIN. ON SOLDER TAILS. 50u" MIN. NICKEL UNDERPLATING OVERALL.
 - SPECIFICATION:

VOLTAGE: 30V AC/DC
 CURRENT RATING: 0.5 AMPERE
 CONTACT RESISTANCE: INITIAL 50 mOHMS MAX. AFTER TEST Δ30 mOHMS MAX.
 DIELECTRIC WITHSTANDING VOLTAGE: 250V AC/1 MINUTE;
 INSULATION RESISTANCE: 500M OHMS MIN.
 FFC/FPC WITHDRAWL FORCE: 0.20N PER CONTACT MIN;
 FFC/FPC THICKNESS: 0.20+/-0.03mm.
 - THE PRODUCT IS RoHS AND HF COMPLIANT.
- ⚠ PIN NO.

| 45 | 13.8 | 14.5 | 13.85 | 13.2 | 12.6 | 15.0 | 4-2328724-5 |
|---------|-------|-------|-------|-------|-------|-------|-------------|
| 39 | 12.0 | 12.7 | 12.05 | 11.4 | 10.8 | 13.2 | 3-2328724-9 |
| 33 | 10.2 | 10.9 | 10.25 | 9.6 | 9.0 | 11.4 | 3-2328724-3 |
| 31 | 9.6 | 10.3 | 9.65 | 9.0 | 8.4 | 10.8 | 3-2328724-1 |
| 25 | 7.8 | 8.5 | 7.85 | 7.2 | 6.6 | 9.0 | 2-2328724-5 |
| 21 | 6.6 | 7.3 | 6.65 | 6.0 | 5.4 | 7.8 | 2-2328724-1 |
| 15 | 4.8 | 5.5 | 4.85 | 4.2 | 3.6 | 6.0 | 1-2328724-5 |
| 13 | 4.2 | 4.9 | 4.25 | 3.6 | 3.0 | 5.4 | 1-2328724-3 |
| PIN NO. | DIM.F | DIM.E | DIM.D | DIM.C | DIM.B | DIM.A | PART NO. |

THIS DRAWING IS A CONTROLLED DOCUMENT.

| | | | | |
|--|---|------------------|------------|---------------|
| DWN Eliana.Zhang 29DEC2017 | TE Connectivity FPC CONNECTOR PITCH=0.30mm FRONT FLIP | | | |
| CHK Wenke.He 29DEC2017 | | | | |
| APVD Wenke.He 29DEC2017 | | | | |
| NAME 108-115143 | | | | |
| PRODUCT SPEC | SIZE | CAGE CODE | DRAWING NO | RESTRICTED TO |
| APPLICATION SPEC | — | — | C-2328724 | — |
| MATERIAL | WEIGHT | CUSTOMER DRAWING | | SCALE |
| — | SEE TABLE | A3 | — | 10:1 |
| TOLERANCES UNLESS OTHERWISE SPECIFIED: | | SHEET | | REV |
| 0 PLC ± 0.4 | 1 OF 3 | | 3 | |
| 1 PLC ± 0.25 | | | | |
| 2 PLC ± 0.15 | | | | |
| 3 PLC ± 0.10 | | | | |
| 4 PLC ± - | | | | |
| ANGLES ± 3.0 | | | | |
| FINISH | | | | |
| — | | | | |

THIS DRAWING IS UNPUBLISHED.

RELEASED FOR PUBLICATION

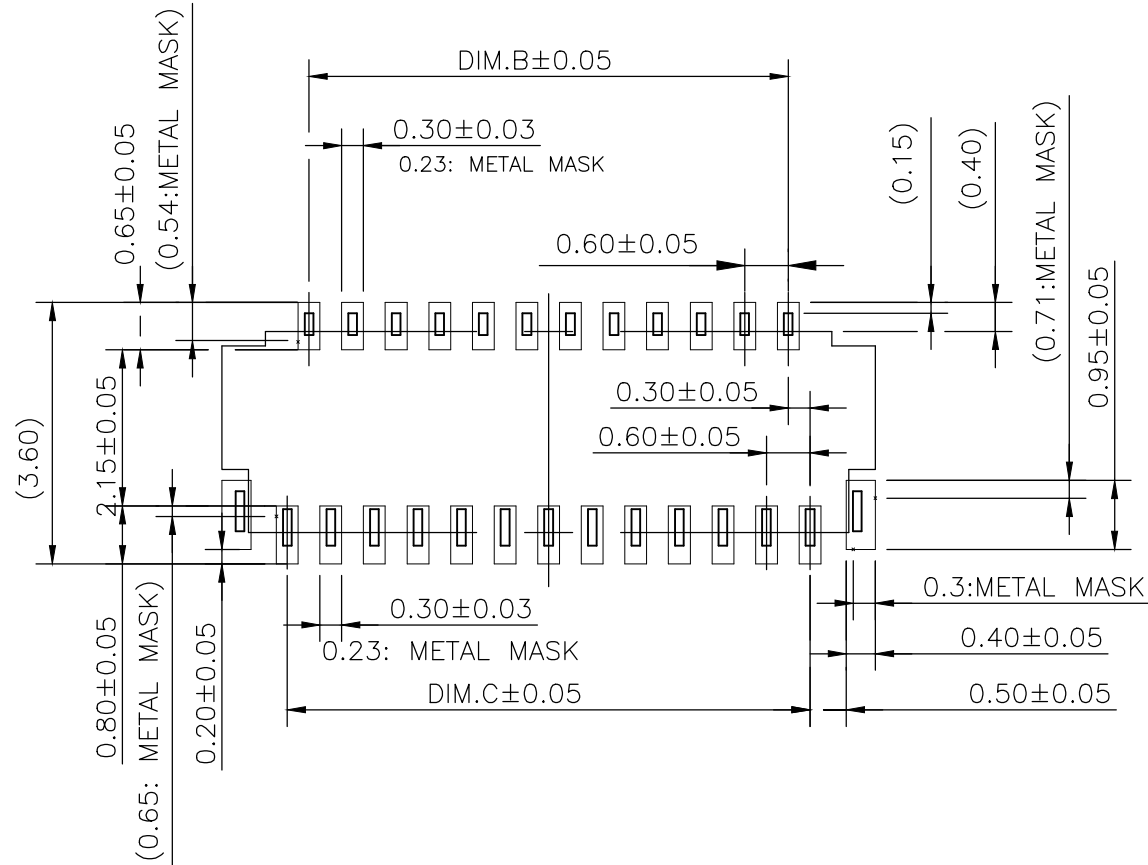
ALL RIGHTS RESERVED.

© COPYRIGHT - -

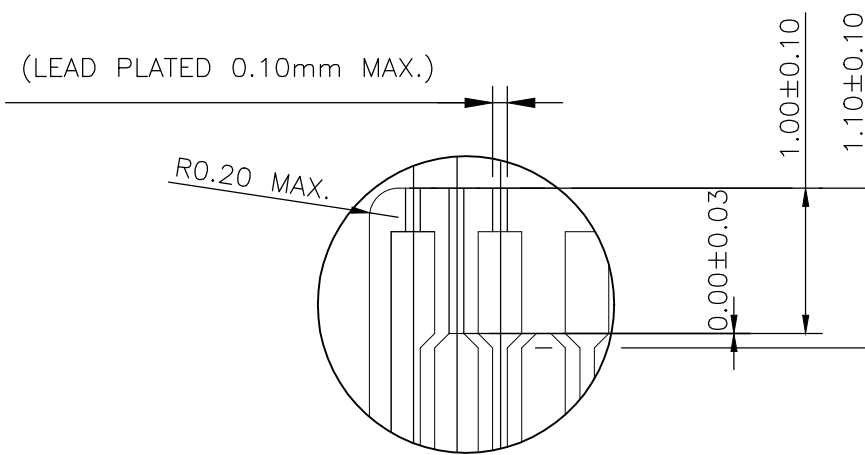
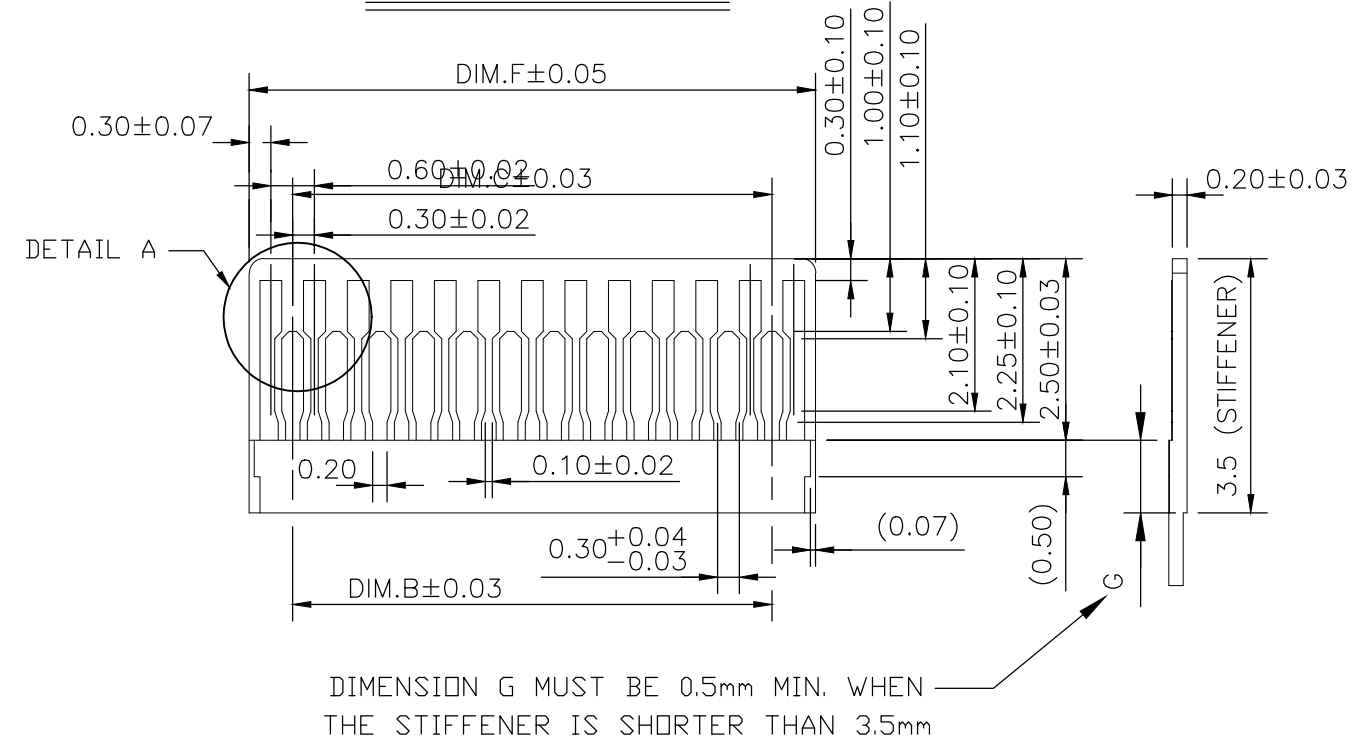
REVISIONS

| P | LTR | DESCRIPTION | DATE | DWN | APVD |
|---|-----|-------------|------|-----|------|
| - | - | SEE SHEET 1 | - | - | - |


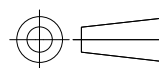
RECOMMENDED LAND PATTERN
(RECOMMENDED METAL MASK THICKNESS:T=0.1mm)



RECOMMENDED FPC



DETAIL A

| | | | | | |
|---|--|----------------------------------|---|-----------------|-------------------------|
| THIS DRAWING IS A CONTROLLED DOCUMENT. | | DWN Eliana.Zhang 29DEC2017 |  TE Connectivity | | |
| DIMENSIONS: mm | | CHK Wenke.He 29DEC2017 | | | |
| TOLERANCES UNLESS OTHERWISE SPECIFIED: | | APVD Wenke.He 29DEC2017 | NAME FPC CONNECTOR PITCH=0.30mm FRONT FLIP | | |
|  | | PRODUCT SPEC 108-115143 | RESTRICTED TO | | |
| MATERIAL | | APPLICATION SPEC | SIZE A3 | CAGE CODE - | DRAWING NO C-2328724 |
| FINISH | | WEIGHT SEE TABLE | SCALE 10:1 | SHEET 2 OF 3 | REV 3 |
| - | | CUSTOMER DRAWING | | | |

THIS DRAWING IS UNPUBLISHED.

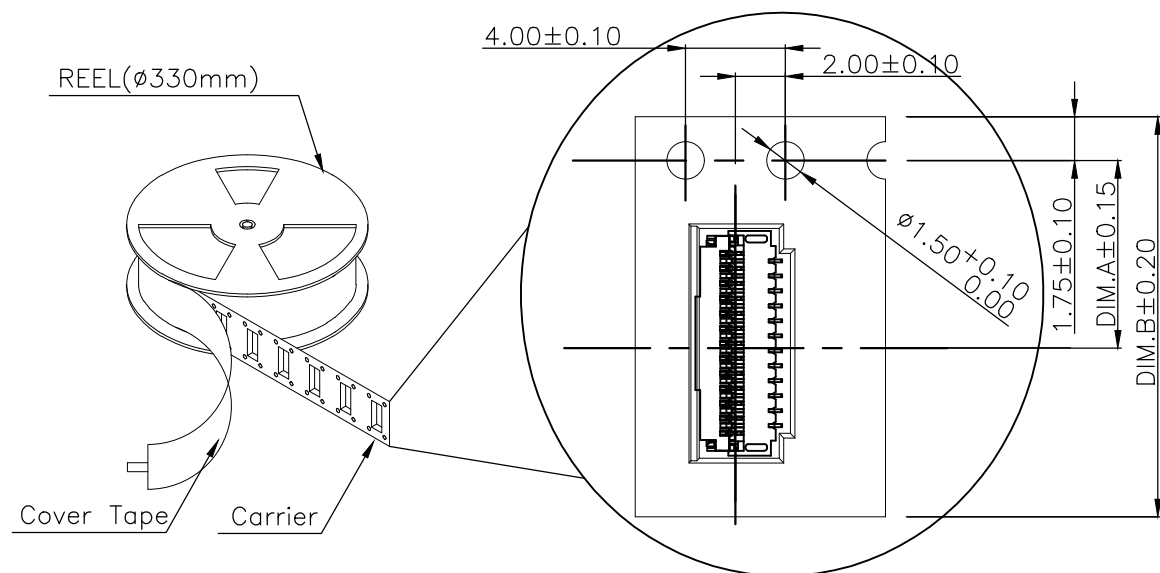
RELEASED FOR PUBLICATION

© COPYRIGHT - -

ALL RIGHTS RESERVED.

REVISIONS

| P | LTR | DESCRIPTION | DATE | DWN | APVD |
|---|-----|-------------|------|-----|------|
| - | - | SEE SHEET 1 | - | - | - |



NOTES: (APPLIED TO CURRENT SHEET)

1. THE DIRECTION OF EACH CONNECTOR ON A EMBOSS IS REFERRED TO THIS DRAWING.
2. PACKAGED IN EMBOSS TAPE AND PLASTIC RELL 5000 PCS PER RELL.
3. WINDING THE COVER TAPE AROUND THE OUTER PERIPHERY IN A TURN.

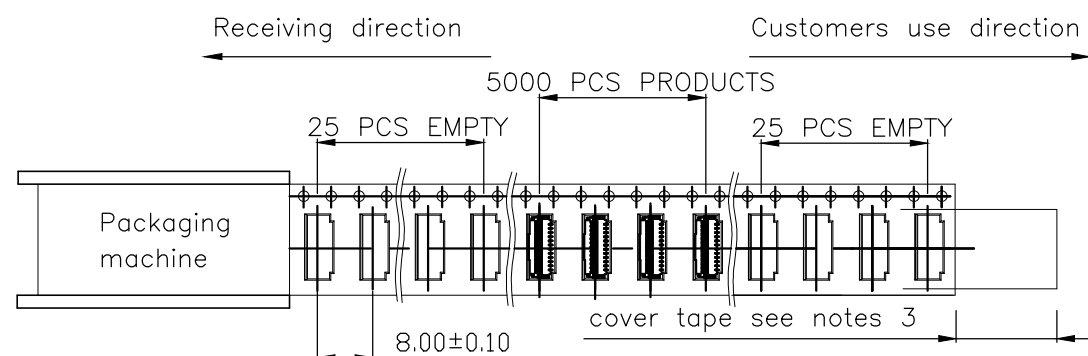
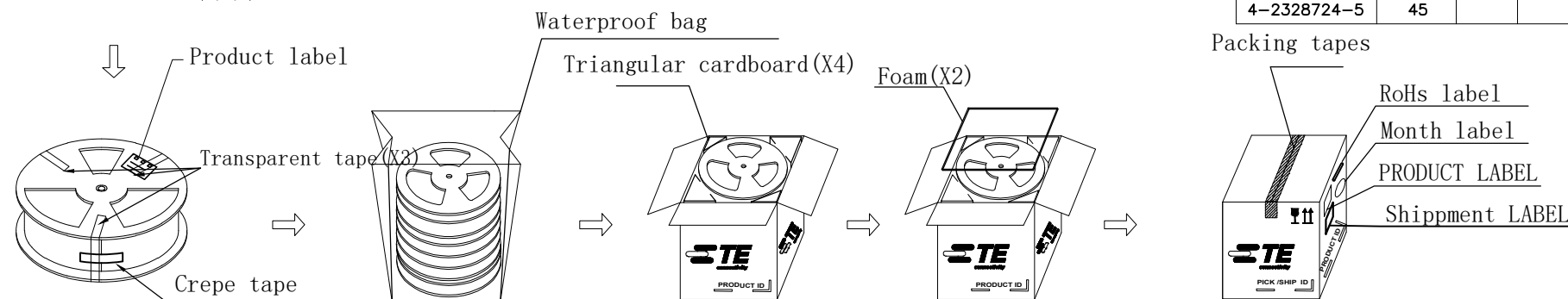


TABLE A

| P/N | PIN NO. | Amount of packing | | | | Weight of packing | | | |
|-------------|---------|-------------------|-------|----------|-------------|-------------------|---------------|----------------|---------|
| | | DIM.A | DIM.B | Pcs/Reel | Reel/Carton | PCS/Carton | Unit weigh(g) | Net weight(kg) | GW (kg) |
| 1-2328724-3 | 13 | 7.50 | 16.00 | 5,000 | 7 | 35,000 | 0.0305 | 1.068 | 4.43 |
| 1-2328724-5 | 15 | | | 5,000 | 7 | 35,000 | 0.0345 | 1.208 | 4.82 |
| 2-2328724-1 | 21 | | | 5,000 | 7 | 35,000 | 0.0455 | 1.593 | 5.21 |
| 2-2328724-5 | 25 | 11.50 | 24.00 | 5,000 | 7 | 35,000 | 0.0550 | 1.925 | 5.48 |
| 3-2328724-1 | 31 | | | 5,000 | 5 | 25,000 | 0.0645 | 1.613 | 4.99 |
| 3-2328724-3 | 33 | | | 5,000 | 5 | 25,000 | 0.0665 | 1.663 | 5.08 |
| 3-2328724-9 | 39 | | | 5,000 | 5 | 25,000 | 0.0775 | 1.938 | 5.37 |
| 4-2328724-5 | 45 | | | 5,000 | 5 | 25,000 | 0.0885 | 2.213 | 5.64 |



| | | | | | |
|--|--|----------------------------------|---|----------------|-------------------------|
| THIS DRAWING IS A CONTROLLED DOCUMENT. | | DWN Eliana.Zhang 29DEC2017 | TE Connectivity FPC CONNECTOR PITCH=0.30mm FRONT FLIP | | |
| DIMENSIONS: mm | | CHK Wenke.He 29DEC2017 | | | |
| TOLERANCES UNLESS OTHERWISE SPECIFIED: | | APVD Wenke.He 29DEC2017 | NAME | | |
| 0 PLC ± 0.4 1 PLC ± 0.25 2 PLC ± 0.15 3 PLC ± 0.10 4 PLC ± - ANGLES ± 3.0 | | PRODUCT SPEC 108-115143 | RESTRICTED TO | | |
| MATERIAL | | APPLICATION SPEC | SIZE A3 | CAGE CODE - | DRAWING NO C-2328724 |
| FINISH | | WEIGHT SEE TABLE | SCALE 10:1 | | SHEET 3 of 3 |
| | | CUSTOMER DRAWING | REV 3 | | |