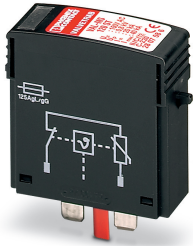


Type 1 surge protection plug - VAL-US-277/40-P - 2910338

Please be informed that the data shown in this PDF Document is generated from our Online Catalog. Please find the complete data in the user's documentation. Our General Terms of Use for Downloads are valid (<http://phoenixcontact.com/download>)



UL Recognized type 1 SPD and IEC type 2 surge protection plug with a varistor and thermal disconnect for use with VAL-US base elements, mechanical and visual fault warning

Product Description


Surge protective device replacement plug

Your advantages

- ✓ Plugs can be checked with CHECKMASTER
- ✓ Thermal disconnect device for each individual plug
- ✓ Pluggable
- ✓ Mechanical coding of all slots
- ✓ Consists of base element and plug
- ✓ Optical, mechanical status indication for the individual arresters



Key Commercial Data

Packing unit	1 pc
GTIN	 4 0 5 5 6 2 6 4 4 4 8 0 2
GTIN	4055626444802
Weight per Piece (excluding packing)	40.000 g
Custom tariff number	85363030
Country of origin	Germany

Technical data

Dimensions

Height	52.4 mm
Width	17.5 mm

Type 1 surge protection plug - VAL-US-277/40-P - 2910338

Technical data

Dimensions

Depth	55.3 mm
Horizontal pitch	1 Div.

Ambient conditions

Degree of protection	IP20
Ambient temperature (operation)	-40 °C ... 80 °C
Ambient temperature (storage/transport)	-40 °C ... 80 °C
Altitude	≤ 2000 m (amsl (above mean sea level))
Permissible humidity (operation)	5 % ... 95 %
Shock (operation)	25g (Half-sine / 11 ms / 3x ±X, ±Y, ±Z)
Vibration (operation)	5g (10 ... 500 Hz / 2.5 h / X, Y, Z)

General

IEC test classification	II
	T2
EN type	T2
Mode of protection	L-N
	L-PEN
	N-PE
Mounting type	on base element
Color	jet black RAL 9005
Housing material	PA 6.6
	PBT
Degree of pollution	2
Flammability rating according to UL 94	V-0
Type	Male
Number of positions	1
Surge protection fault message	optical

Protective circuit

Nominal voltage U_N	240/415 V AC
Nominal frequency f_N	50 Hz (60 Hz)
Maximum continuous voltage U_C	385 V AC
Residual current I_{PE}	≤ 450 μA
Standby power consumption P_C	≤ 175 mVA
Nominal discharge current I_n (8/20) μs	20 kA
Maximum discharge current I_{max} (8/20) μs	40 kA
Short-circuit current rating I_{SCCR}	25 kA

Type 1 surge protection plug - VAL-US-277/40-P - 2910338

Technical data

Protective circuit

Voltage protection level U_p	≤ 1.8 kV
Residual voltage U_{res}	≤ 1.8 kV (at I_n)
	≤ 1.6 kV (at 10 kA)
	≤ 1.4 kV (at 5 kA)
	≤ 1.3 kV (at 3 kA)
TOV behavior at U_T	415 V AC (5 s / withstand mode)
	440 V AC (120 min / withstand mode)
Max. backup fuse with branch wiring	100 A (gG)

Connection data

Connection method	VALVETRAB plug-in system
-------------------	--------------------------

UL specifications

SPD Type	1CA
Maximum continuous operating voltage MCOV	385 V AC
Nom. voltage	277/480 V AC
Mode of protection	L-N
	L-G
	N-G
Power distribution system	Single phase
Nominal frequency	50/60 Hz
Voltage protection rating VPR	1200 V
Nominal discharge current I_n	20 kA
Maximum Surge Current per Phase	40 kA
Short-circuit current rating (SCCR)	200 kA

Standards and Regulations

Standards/regulations	IEC 61643-11 2011
	EN 61643-11 2012

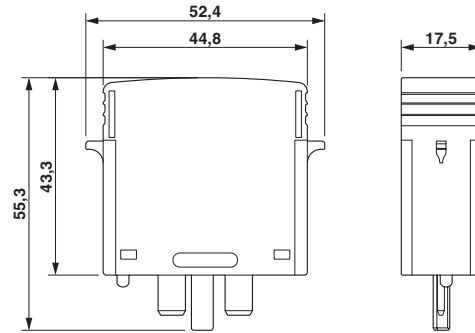
Drawings

Type 1 surge protection plug - VAL-US-277/40-P - 2910338

Circuit diagram



Dimensional drawing



Classifications

eCl@ss

eCl@ss 10.0.1	27130890
eCl@ss 11.0	27130890
eCl@ss 6.0	27130800
eCl@ss 7.0	27130890
eCl@ss 9.0	27130890

ETIM

ETIM 6.0	EC002497
ETIM 7.0	EC002496

UNSPSC

UNSPSC 18.0	39121620
UNSPSC 19.0	39121620
UNSPSC 20.0	39121620
UNSPSC 21.0	39121620

Approvals

Approvals

Approvals

UL Recognized / cUL Recognized / cULus Recognized

Ex Approvals

Type 1 surge protection plug - VAL-US-277/40-P - 2910338

Approvals

Approval details

UL Recognized		http://database.ul.com/cgi-bin/XYV/template/LISEXT/1FRAME/index.htm	FILE E 330181
cUL Recognized		http://database.ul.com/cgi-bin/XYV/template/LISEXT/1FRAME/index.htm	FILE E 330181
cULus Recognized			

Accessories

Accessories

Surge arrester

Type 1 surge protection device - VAL-US-277/40/1+0-FM - 2910372



Surge protective device, single channel with remote indicator contact for 277 V AC.

Type 1 surge protection device - VAL-US-277/40/1+1-FM - 2910373



Surge protective device, two channel with remote indicator contact for 277 V AC, 2-wire plus ground.

Type 1 surge protection device - VAL-US-277/40/3+1-FM - 2910374



Surge protective device, four channel with remote indicator contact for 277/480 V AC, 4-wire plus ground.

Type 1 surge protection plug - VAL-US-277/40-P - 2910338

Accessories

Type 1 surge protection device - VAL-US-277/40/4+0-FM - 2910375



Surge protective device, four channel with remote indicator contact for 277/480 V AC, 4-wire plus ground.
