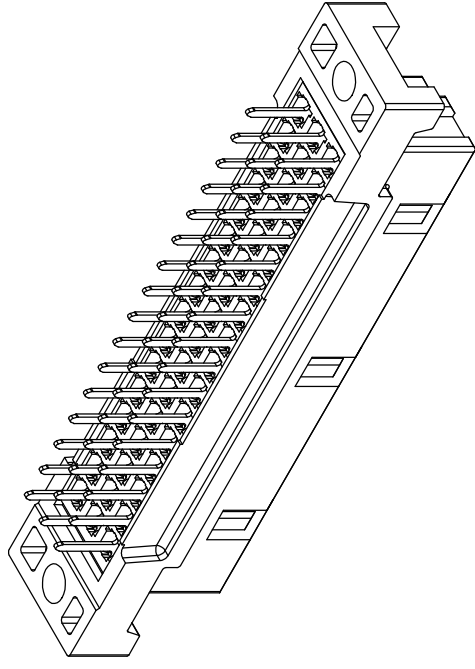
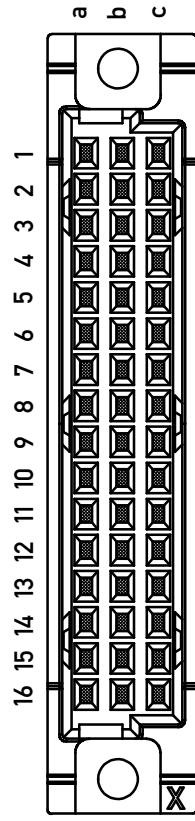


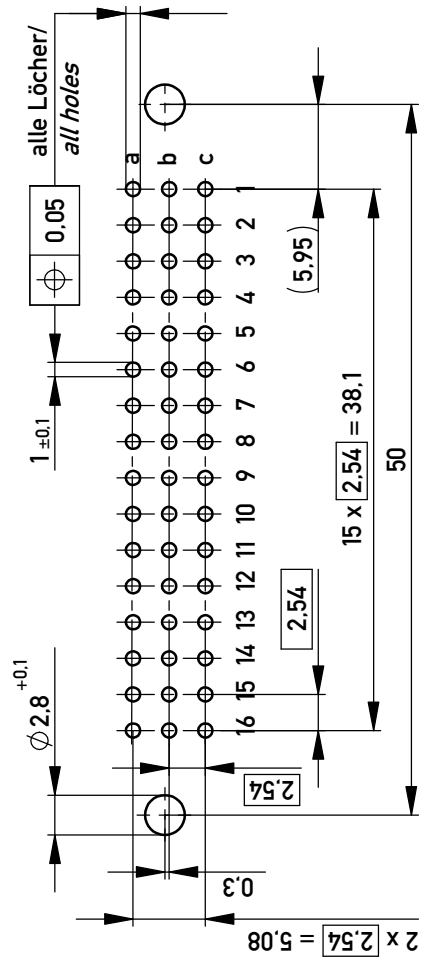
Bestückungsplan / contact layout

■ bestückt / assembled



Tauchlötanschluss 0.65x0.3 / solder terminal 0.65x0.3
 Isolierwerkstoff / housing material : PBT GF 30
 Bauart 7 / type 7
 Anforderungsstufe 1 = 500 Steckzyklen / performance class 1 = 500 mating cycles
 Fehlende Maße und Angaben nach IEC 60 603-2 / DIN EN 60 603-2
 Missing information and dimensions per IEC 60 603-2

Leiterplatten-Lochbild / PCB drillhole Pattern



Information:		Tolerances		Scale 2:1	
All rights reserved. Only for information. To ensure that this is the latest version of this drawing, please contact one of the ERNI companies before using.		Subject to modification without prior notice. Drawing will not be updated.		Designation Federleiste C/2 48 Löt Fem. Connector C/2 48 Solder	
Proprietary notice pursuant to ISO 16016 to be observed. Copyright by ERNI GmbH		www.ERNI.com		254895	
Index	Date	Class		STVC/2	
				A3	