

PROJECT PRJ-17-000905364

PART NO. 2355174-1

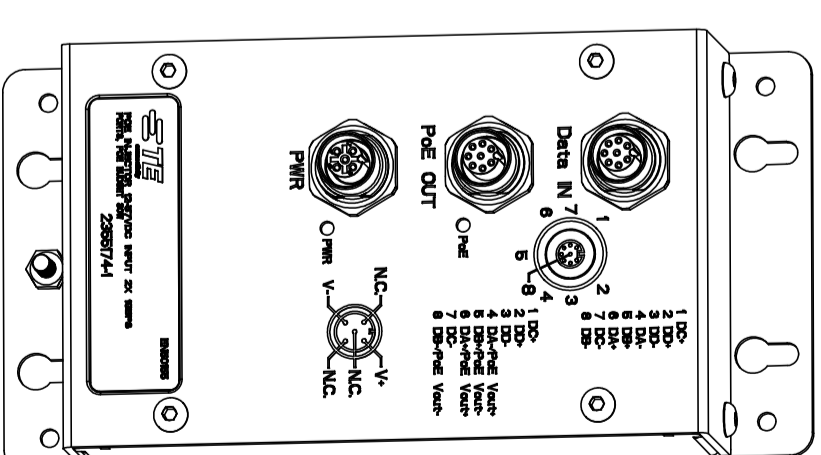
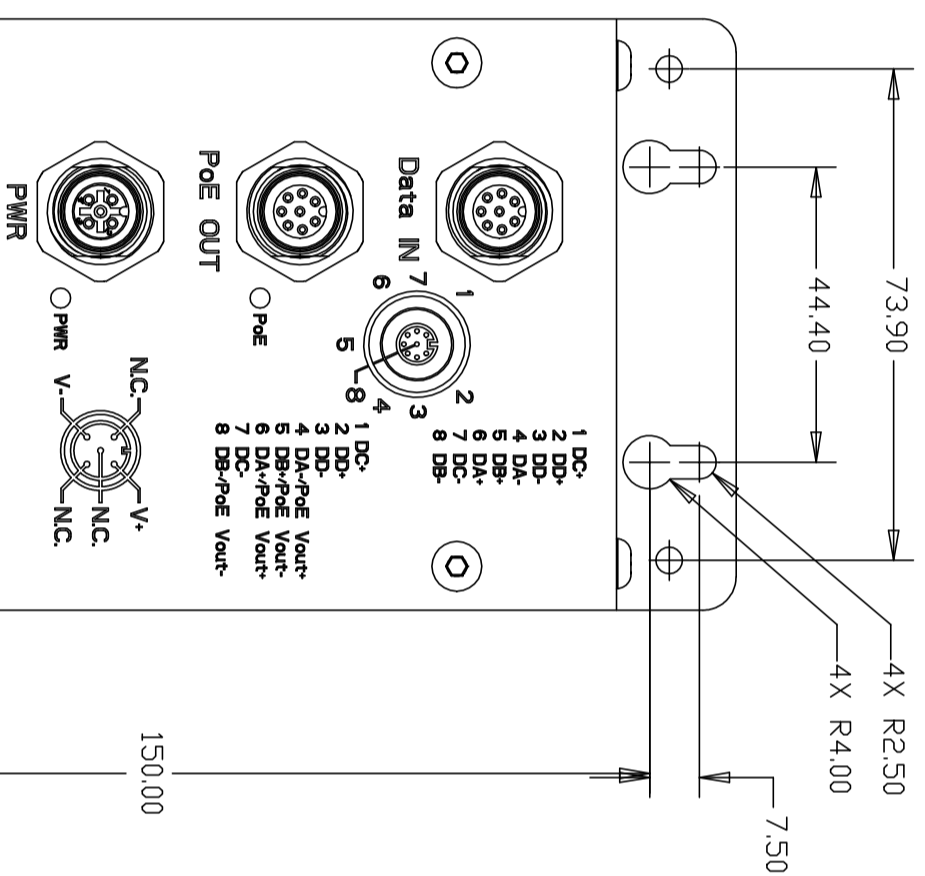
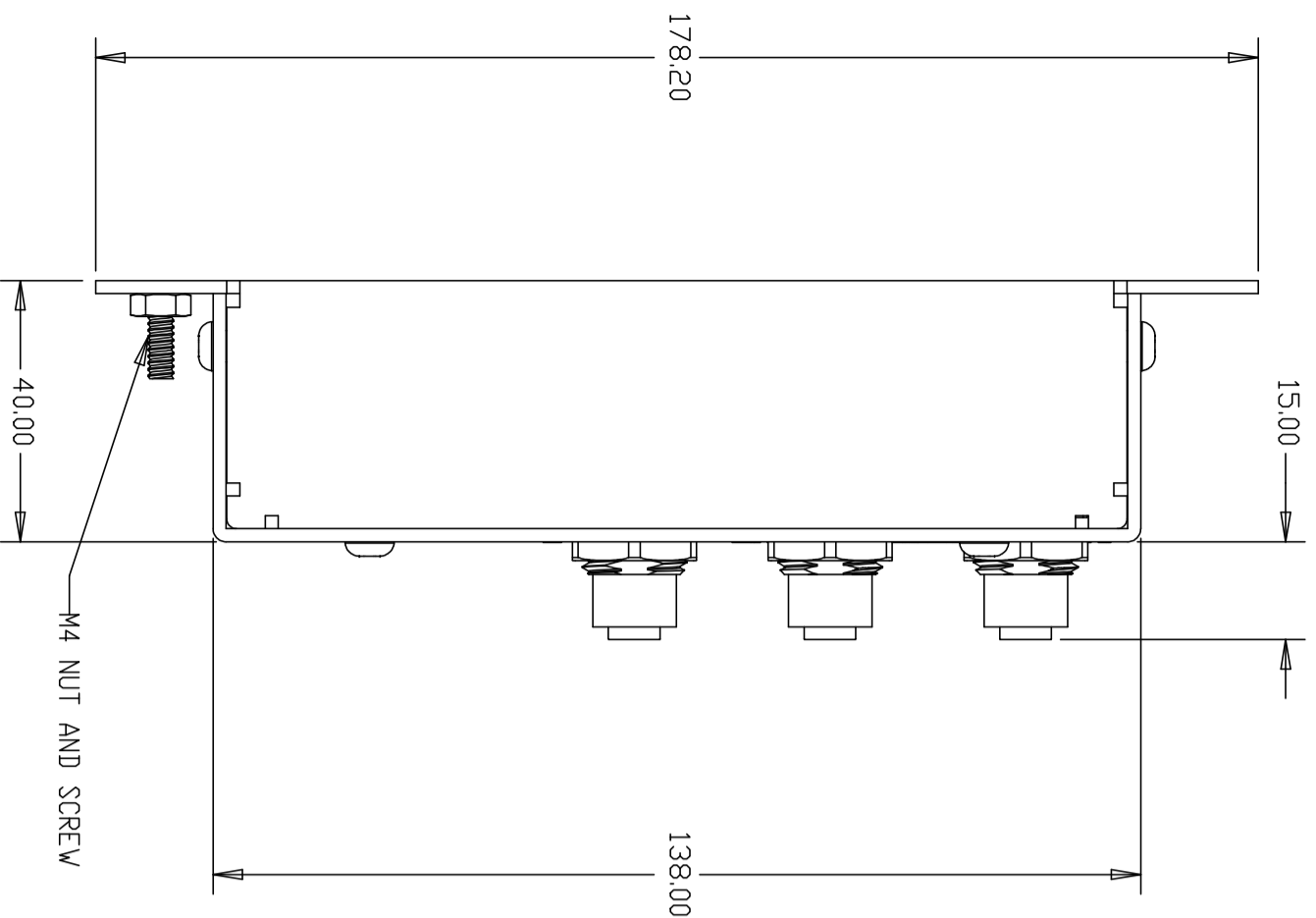
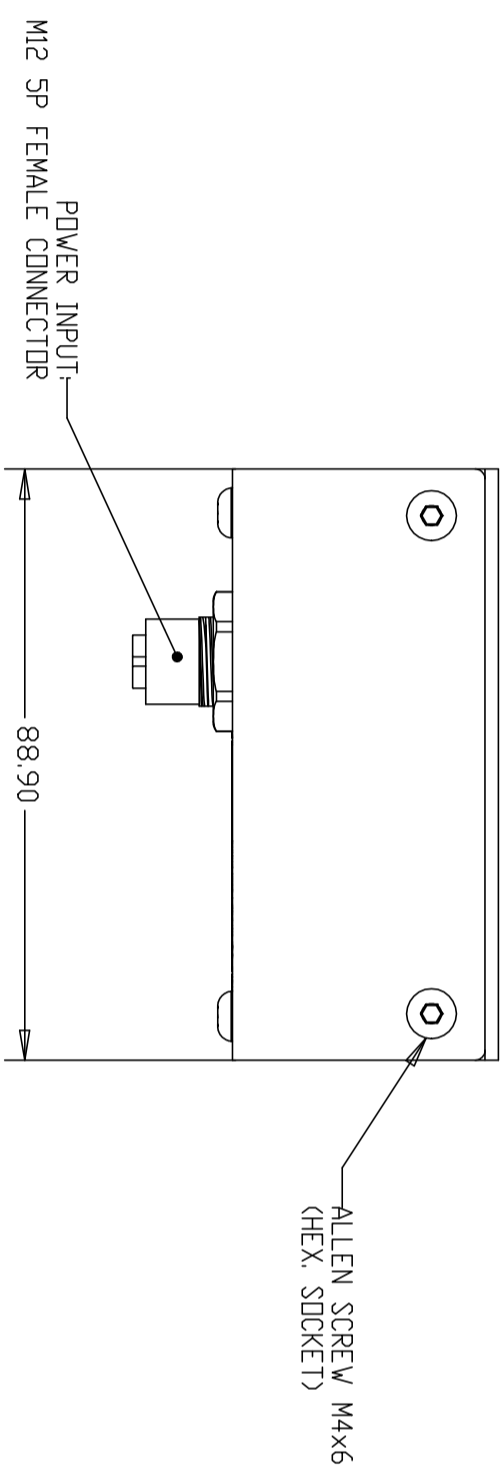
DESCRIPTION POE INJECTOR

CUSTOMER GENERAL MARKET

REVISIONS			
P	LTR	DESCRIPTION	DATE
A		INITIAL RELEASE	24JUL2019
			GK
			SE

NOTES:

1. LEADING EN50155-COMPLIANT ETHERNET SWITCH FOR INDUSTRIAL APPLICATIONS, SUCH AS ROLLING STOCK, VEHICLE, AND RAILWAY APPLICATIONS.
2. M12 CONNECTORS TO GUARANTEE RELIABLE OPERATION AGAINST ENVIRONMENTAL DISTURBANCES.
3. RIGID IP-40 HOUSING DESIGN AND WALL MOUNTED.



PICTORIAL VIEW

FUNCTION	CONNECTOR ON SWITCH	REMARKS
POE OUT	M12 FEMALE A8 CODED	
DATA IN	M12 FEMALE A8 CODED	
POWER IN	M12 FEMALE A5 CODED	12-57VDC

SL. NO.	PART NO.	DESCRIPTION	QTY	UNIT	REMARKS
1	2355174-1	POE INJECTOR 12-57VDC INPUT 2X 1GBPS PORTS, POE BUDGET 30W	1		10/100/1000 Base-T(X) 12-57VDC

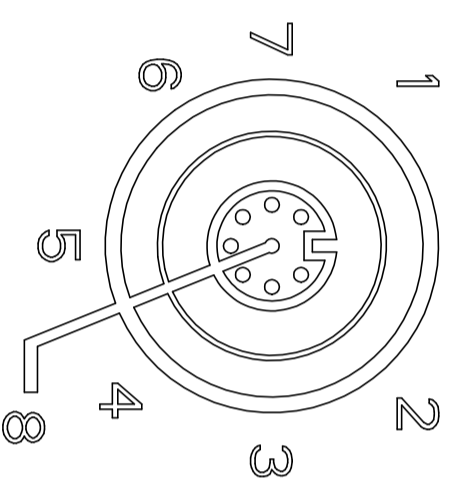
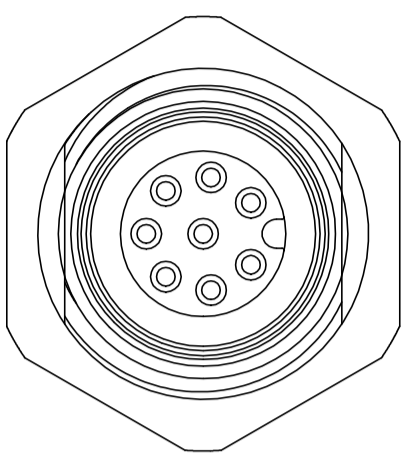
THIS DRAWING IS A CONTROLLED DOCUMENT.

DIMENSIONS: mm
 TOLERANCES UNLESS OTHERWISE SPECIFIED:
 0 PLC ±
 1 PLC ±
 2 PLC ±
 3 PLC ±
 4 PLC ±
 ANGLES ±

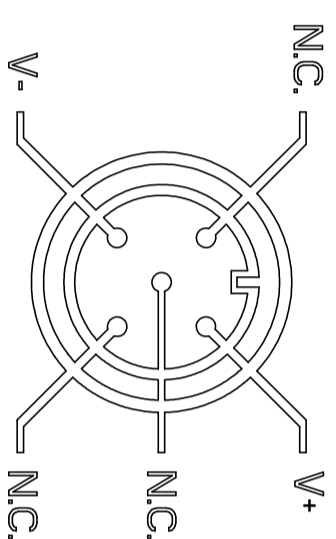
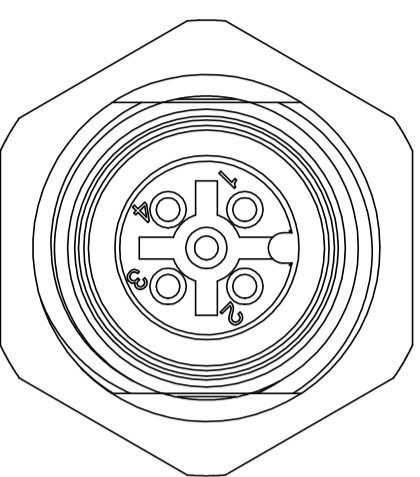
DMN: COPALAKRISHNA, HYD
 CHK: S. EGBERT
 APVD: S. EGBERT
 PRODUCT SPEC
 APPLICATION SPEC
 WEIGHT: 0
 DATE: 24JUL2019
 NAME: POE INJECTOR
 TE Connectivity

SIZE: A2
 CAGE CODE: 00779
 DRAWING NO: 2355174
 SCALE: NTS
 SHEET: 1 OF 2
 REV: A

REVISIONS			
P	LTR	DESCRIPTION	DATE
-	-	SEE SHEET 1	-



1000 BASE-T			
M12 INPUT (DATA ONLY)	M12 OUTPUT (DATA AND POWER)	SYMBOL	SYMBOL
PIN			
1	BI_DC+	BI_DC+	
2	BI_DD+	BI_DD+	
3	BI_DD-	BI_DD-	
4	BI_DA-	BI_DA- (Vdc+)	
5	BI_DB+	BI_DB+ (Vdc-)	
6	BI_DA+	BI_DA+ (Vdc+)	
7	BI_DC-	BI_DC-	
8	BI_DB-	BI_DB- (Vdc-)	



PIN ASSIGNMENTS FOR M12 A5 POWER CONNECTOR		
POWER OUT		
1	NC	
2	V+	
3	NC	
4	V-	
5	NC	

2355174

THIS DRAWING IS A CONTROLLED DOCUMENT.

DMN: COPALAKRISHNA, HY
 CHK: S. EGBERT
 DATE: 24.JUL.2019

APVD: S. EGBERT
 PRODUCT SPEC

APPLICATOR SPEC
 WEIGHT: 0

CUSTOMER DRAWING

DMN: 24.JUL.2019
 COPALAKRISHNA, HY
 CHK: S. EGBERT
 DATE: 24.JUL.2019

APVD: S. EGBERT
 PRODUCT SPEC

APPLICATOR SPEC
 WEIGHT: 0

CUSTOMER DRAWING

STE TE Connectivity

POE INJECTOR

SIZE: A2
 CAGE CODE: 00779
 DRAWING NO: 2355174

SCALE: NTS
 SHEET: 2 OF 2
 REV: A