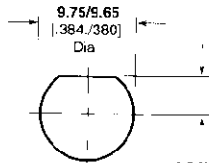


BNC Connectors, 75 Ohm (Continued)

**Bulkhead Solder Jacks
 Front Mount**

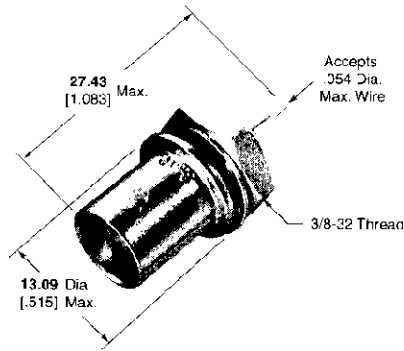
Plating

Body—Nickel
Center Contact—Silver



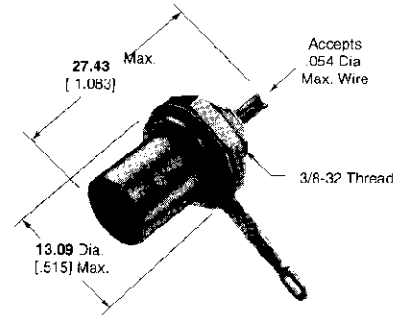
Maximum Panel Thickness 3.18 [1.25]

Recommended Panel Cutout



Part No. 415187-1
 (without Solder Terminal)

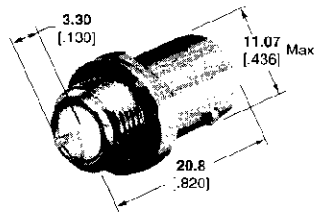
Note: If insulating bushing required use part no. 227223-1 or 221951-1 (for details, reference page 56).



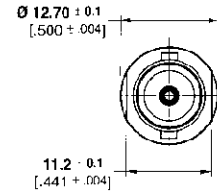
Part No. 221244-1
 (with Solder Terminal)

Note: If insulating bushing required use part no. 227223-1 or 221951-1 (for details, reference page 56).

**Bulkhead Jack
 PC Board Mount**



Part No. 1274086-1

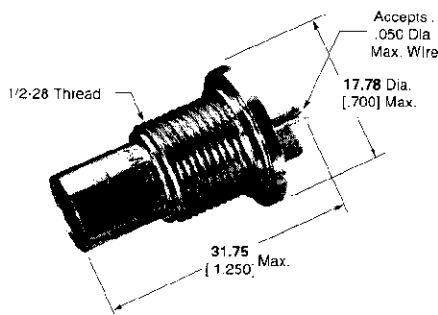


**Bulkhead Solder Jack
 Rear Mount**

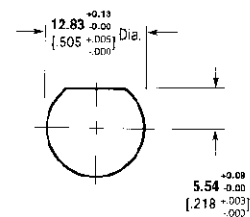
Lockwasher and Jam Nut see page 74.

Plating

Body—Nickel
Center Contact—Gold
Dielectric—Polymethylpentene



Part No. 414217-1



Maximum Panel Thickness 6.35 [0.250]

Recommended Panel Cutout