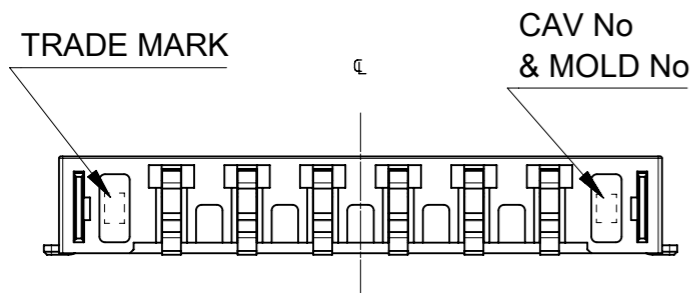
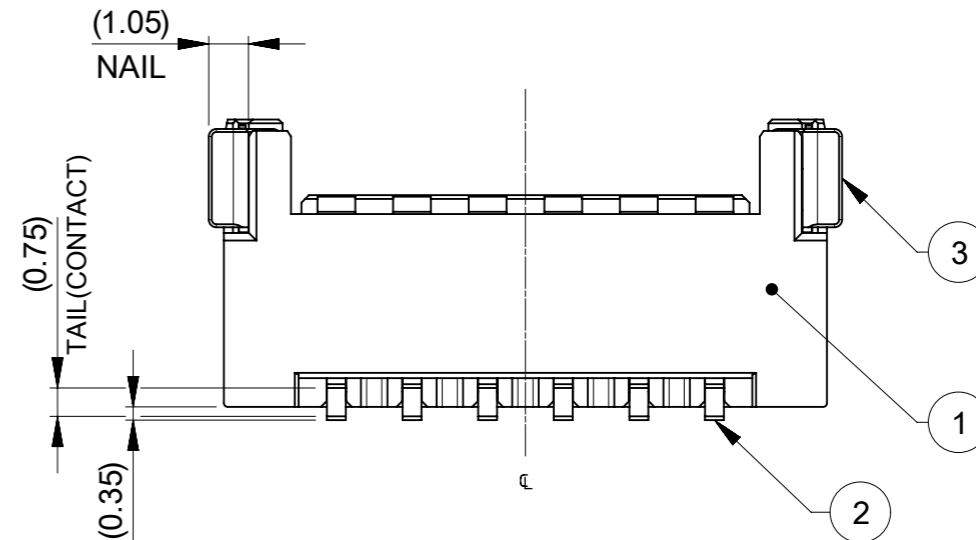
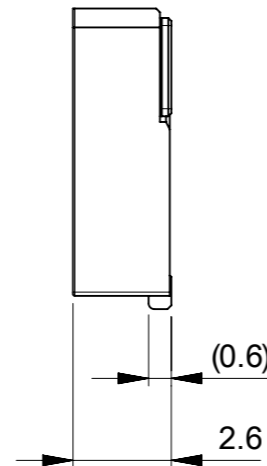
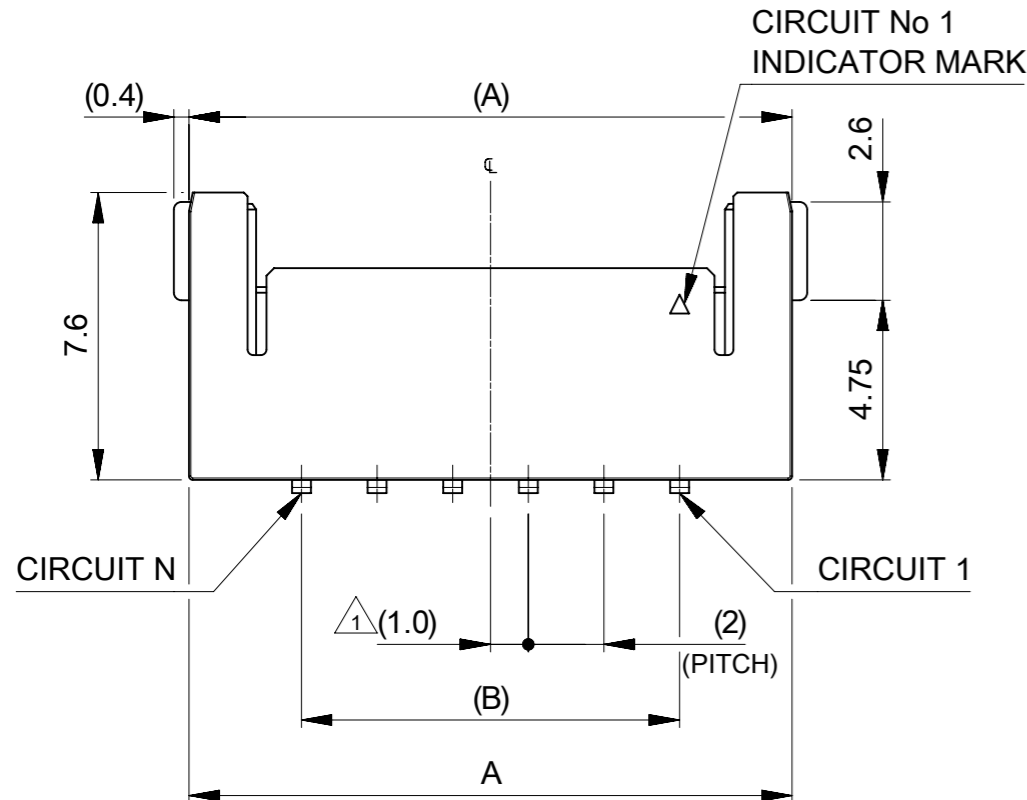
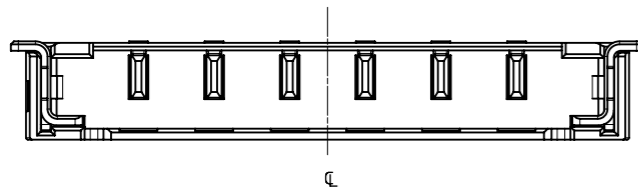
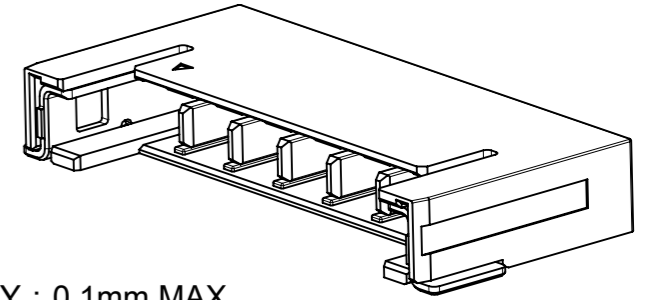


NOTES

- ① 偶数極の製品に適用
APPLY EVEN CIRCUIT PRODUCTS.
- ② 材質及び仕上げ(めっき仕様) : TABLE 1参照
MATERIAL AND FINISHES: SEE TABLE 1
- ③ ソルダータイルとネイルの平坦度 : 0.1mm MAX
SOLDER TAIL AND FITTING NAIL COPLANARITY : 0.1mm MAX
- ④ パターン非推奨エリア
PATTERN IS NOT RECCOMENDED ON THE HATCHED AREA.
- ⑤ 適用製品及び各種仕様書はSHEET 4を参照のこと
REFER TO SHEET 4 ABOUT APPLICABLE PRODUCTS AND VARIOUS SPECIFICATIONS



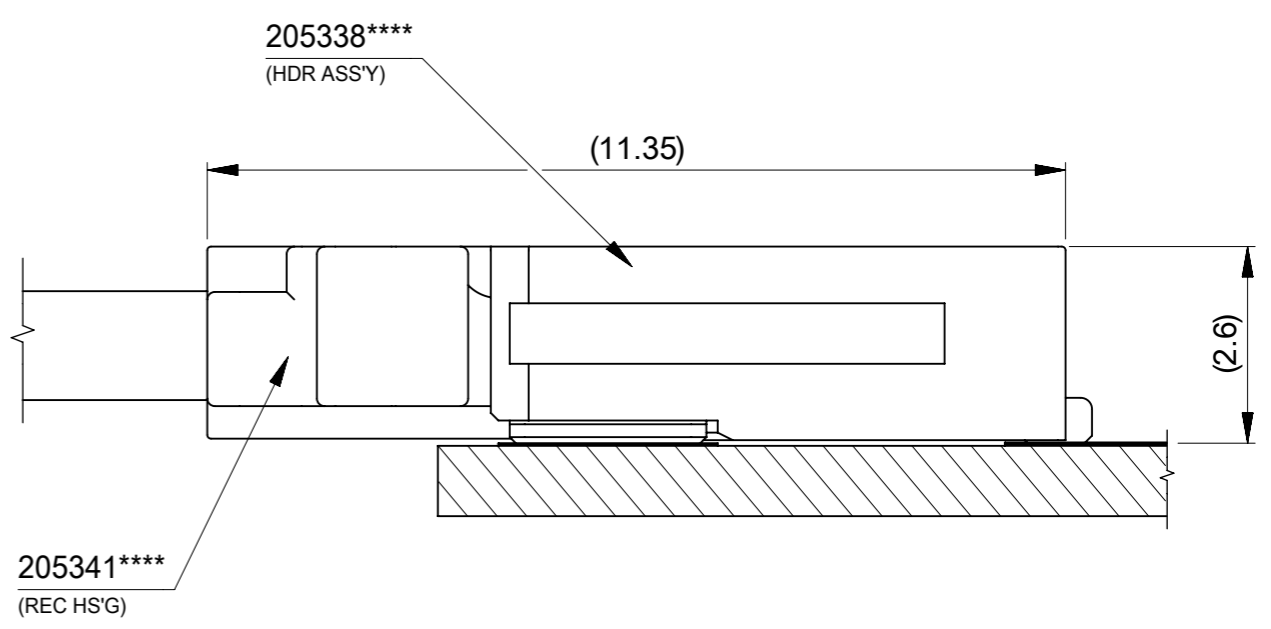
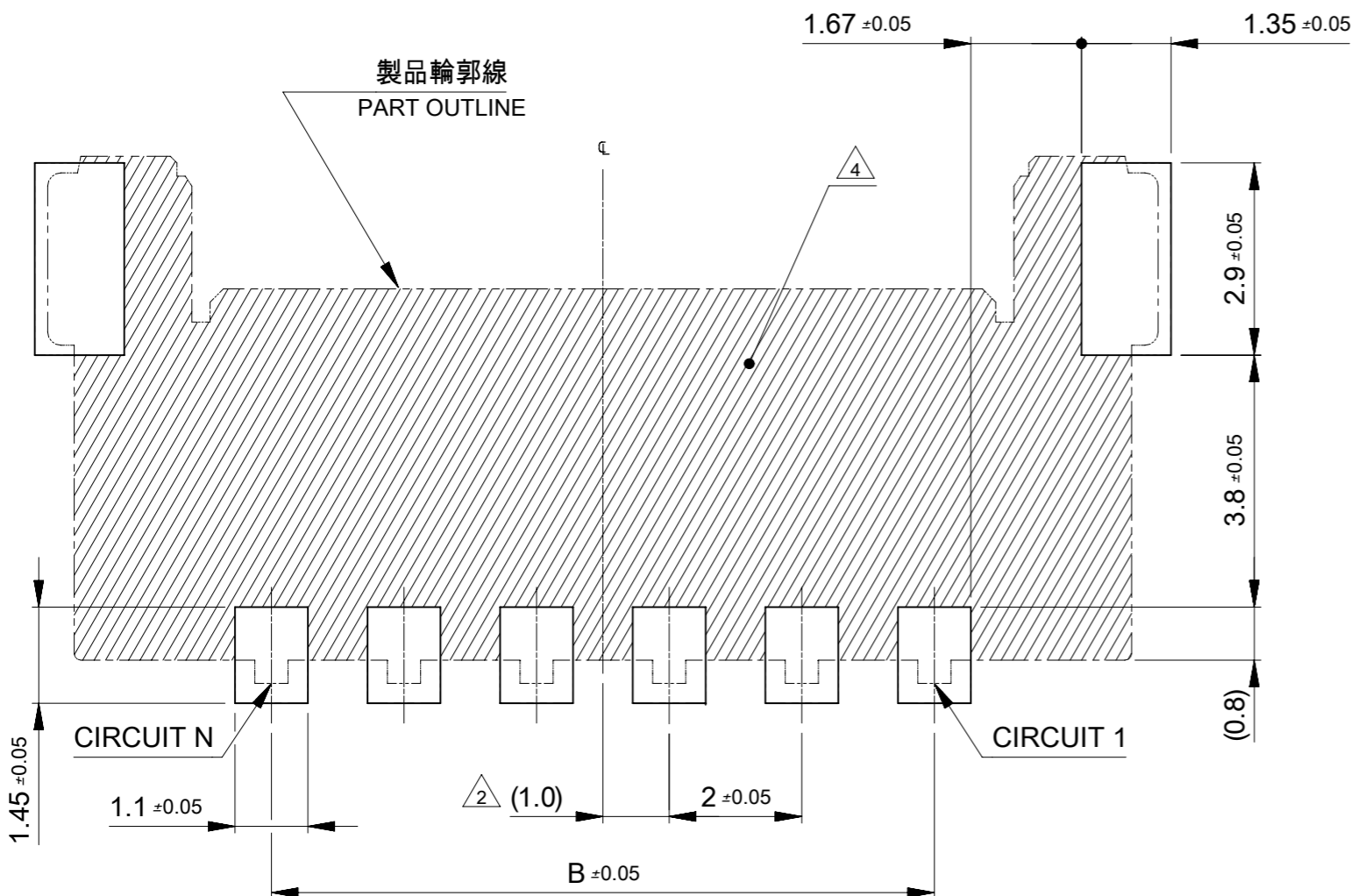
② TABLE 1

番号 NO	部品 PART	材質 MATERIAL
①	ハウジング HOUSING	ポリアミド(PA), UL94V-0, 色 : 黒 POLYAMIDE(PA), UL94V-0, COLOR : BLACK
②	ターミナル TERMINAL	銅合金 COPPER ALLOY
		コンタクト部 : 金めっき 0.1 micro-meters MINI CONTACT AREA: GOLD PLATING 0.1 micro-meters MIN 半田付け部 : 金めっき TAIL AREA: GOLD PLATING ニッケルめっき(下地) 1.0 micro-meter MIN NICKEL PLATING (UNDER PLATING) 1.0 micro-meter MIN
③	ネイル NAIL	銅合金 COPPER ALLOY
		錫めっき 1.0 micro-meter MIN MATTE TIN PLATING 1.0 micro-meter MIN ニッケルめっき(下地) 1.0 micro-meter MIN NICKEL PLATING (UNDER PLATING) 1.0 micro-meter MIN

10	15.95	6
8	13.95	5
6	11.95	4
4	9.95	3
2	7.95	2
B	A	CIRCUIT

THIS DRAWING CONTAINS INFORMATION THAT IS PROPRIETARY TO MOLEX ELECTRONIC TECHNOLOGIES, LLC AND SHOULD NOT BE USED WITHOUT WRITTEN PERMISSION

DIMENSION UNITS	SCALE	CURRENT REV DESC:	
mm	NTS		
GENERAL TOLERANCES (UNLESS SPECIFIED)		EC NO: 639970	
ANGULAR TOL	± 3.0 °	DRWN: QHE31	2020/06/22
4 PLACES	± 0.2	CHK'D: SAKIYAMA	2020/06/22
3 PLACES	± 0.2	APPR: KOMURAKAMI	2020/06/23
2 PLACES	± 0.2	INITIAL REVISION:	
1 PLACE	± 0.2	DRWN: QHE31	2019/01/25
0 PLACES	± 0.2	APPR: KOMURAKAMI	2020/02/19
DRAFT WHERE APPLICABLE MUST REMAIN WITHIN DIMENSIONS		THIRD ANGLE PROJECTION	DRAWING
			A3-SIZE
		SERIES	205338
		MATERIAL NUMBER	SEE CHART OF SHEET 1
		CUSTOMER	GENERAL
		DOCUMENT NUMBER	2053380000-SD
		DOC TYPE	PSD
		DOC PART	000
		REVISION	B
		SHEET NUMBER	1 OF 4

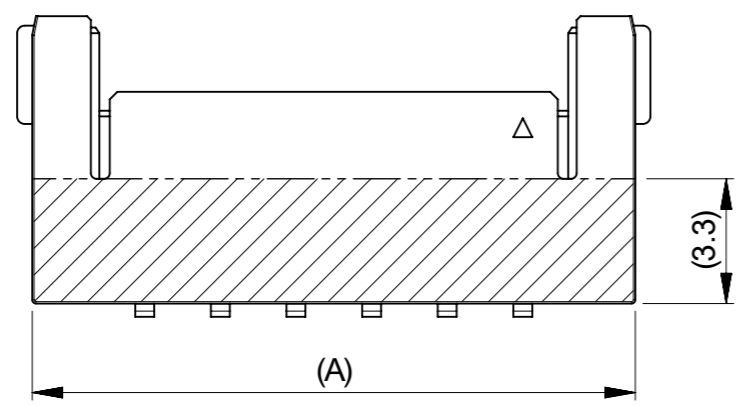


MATED CONNECTORS

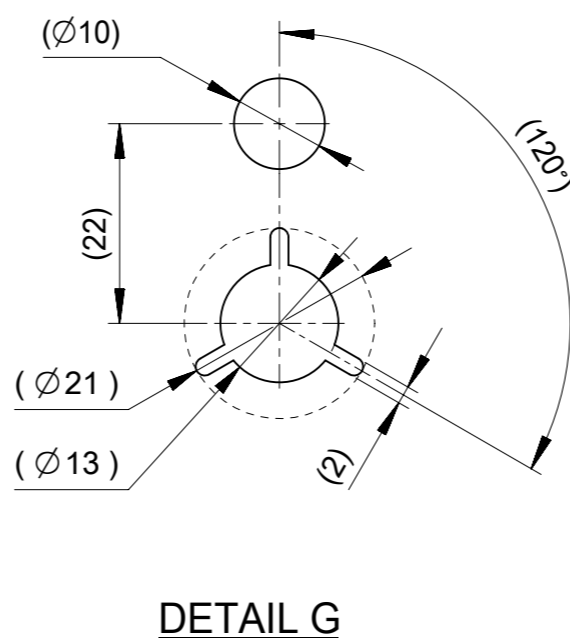
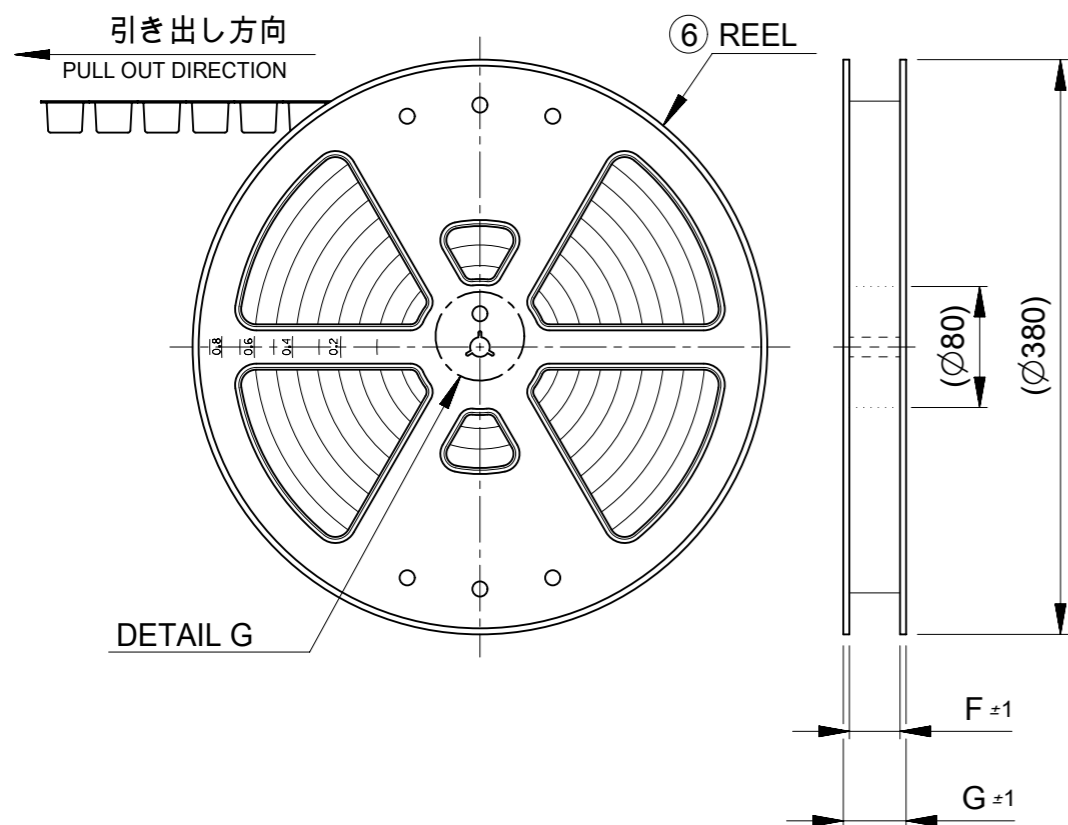
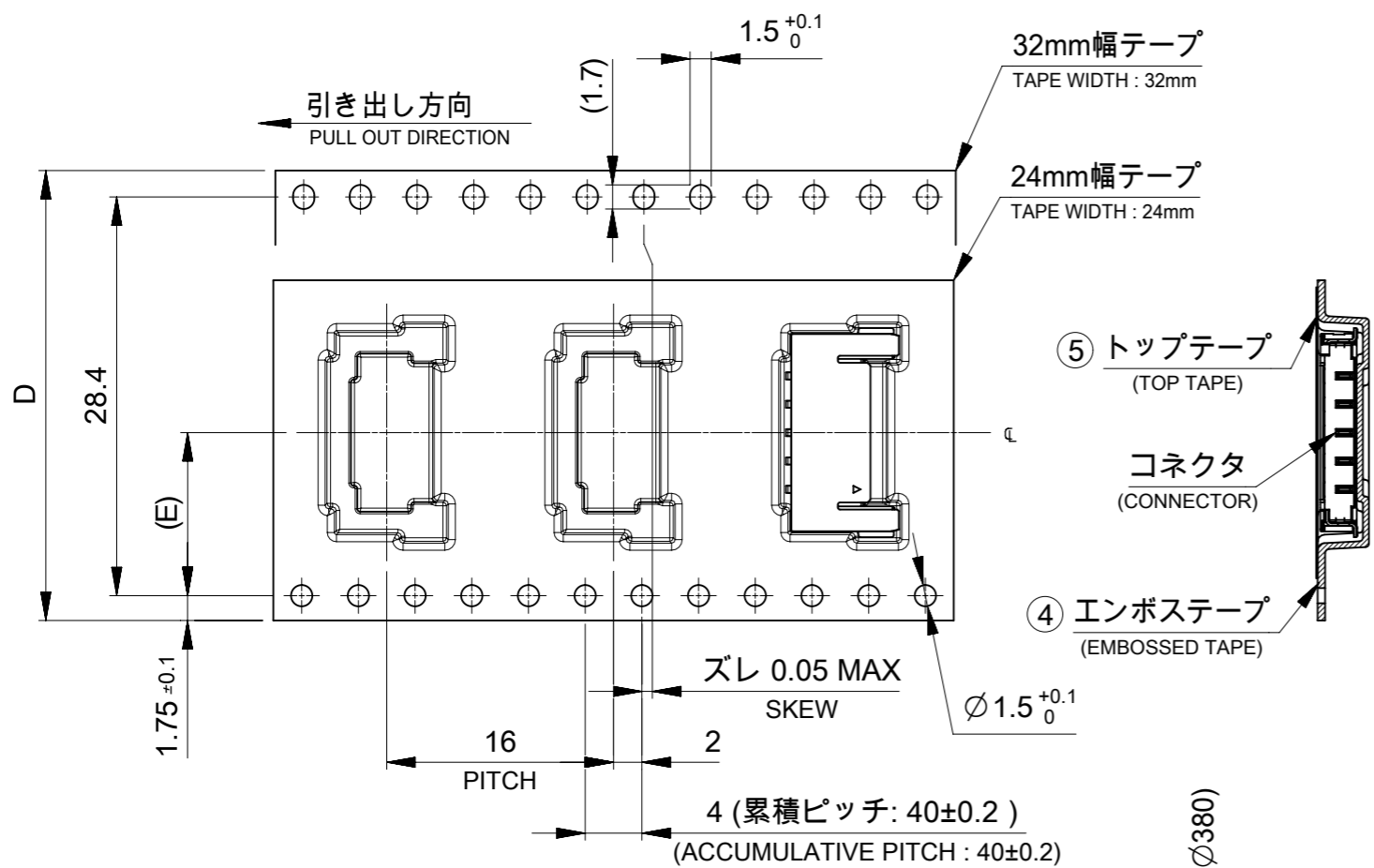
RECOMMENDED PATTERN LAYOUT (REF)

推奨メタルマスク厚さ:0.1mm、開口率:100%
 RECOMMENDED STENCIL THICKNESS: 0.1mm, APERTURE RATIO: 100%

吸着エリア
PICK-UP AREA



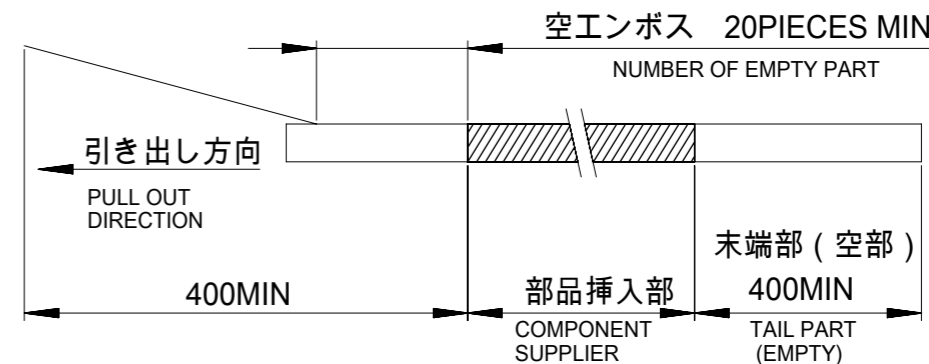
THIS DRAWING CONTAINS INFORMATION THAT IS PROPRIETARY TO MOLEX ELECTRONIC TECHNOLOGIES, LLC AND SHOULD NOT BE USED WITHOUT WRITTEN PERMISSION											
DIMENSION UNITS		SCALE		CURRENT REV DESC:						molex	
mm		NTS									
GENERAL TOLERANCES (UNLESS SPECIFIED)				EC NO: 639970						PICO-LOCK 2.0 PLUG ASSY	
ANGULAR TOL ± 3.0 °				DRWN: QHE31 2020/06/22						SINGLE-ROW SMT R/A TYPE GOLD PLATING	
4 PLACES ± 0.2				CHK'D: SAKIYAMA 2020/06/22							
3 PLACES ± 0.2				APPR: KOMURAKAMI 2020/06/23						PRODUCT CUSTOMER DRAWING	
2 PLACES ± 0.2				INITIAL REVISION:						DOCUMENT NUMBER	
1 PLACE ± 0.2				DRWN: QHE31 2019/01/25						2053380000-SD	
0 PLACES ± 0.2				APPR: KOMURAKAMI 2020/02/19						DOC TYPE DOC PART REVISION	
DRAFT WHERE APPLICABLE MUST REMAIN WITHIN DIMENSIONS				THIRD ANGLE PROJECTION		DRAWING		SERIES		MATERIAL NUMBER	
				A3-SIZE		205338		SEE CHART OF SHEET 1		CUSTOMER	
								GENERAL		SHEET NUMBER	
								2 OF 4			



NOTE

5 . 梱包数量 : 1800個 / リール
NUMBER OF CONNECTORS : 1800 PIECES/REEL

6 . リードテープ長さ
LEAD TAPE LENGTH



7 . トップテープの剥離強度については、IEC60286-3に準拠。
TOP TAPE PEEL FORCE IS DEFINED BY IEC60286-3.

8 . 材料
MATERIALS

番号 NO.	部品 PART	材質 MATERIAL
④	エンボステープ EMBOSSED TAPE	ポリスチレン(PS) POLYSTYRENE(PS)
⑤	トップテープ TOP TAPE	ポリエチレン、ポリエチレンテレフタレート POLYETHYLENE(PE), POLYETHYLENE TEREPHTHALATE(PET)
⑥	リール REEL	ポリスチレン(PS) <リサイクル材を含む> POLYSTYRENE(PS) <RECYCLE MATERIAL CONTAINED>

37.4	33.4	14.2	32 ±0.3	2053380006	6
				2053380005	5
29.4	25.4	11.5	24 +0.3 -0.1	2053380004	4
				2053380003	3
				2053380002	2
G	F	E	D	EMBOSSED PACKAGE	CIRCUIT
WIDTH OF TAPE				ORDER NO.	

DIMENSION UNITS		SCALE		CURRENT REV DESC:		molex	
mm	NTS					PICO-LOCK 2.0 PLUG ASSY SINGLE-ROW SMT R/A TYPE GOLD PLATING	
GENERAL TOLERANCES (UNLESS SPECIFIED)				PRODUCT CUSTOMER DRAWING			
ANGULAR TOL	± 3.0°	EC NO: 639970		DOCUMENT NUMBER		DOC TYPE	DOC PART
4 PLACES	± 0.2	DRWN: QHE31 2020/06/22		2053380000-SD		PSD	000
3 PLACES	± 0.2	CHK'D: SAKIYAMA 2020/06/22		REVISION			B
2 PLACES	± 0.2	APPR: KOMURAKAMI 2020/06/23		INITIAL REVISION:			
1 PLACE	± 0.2	DRWN: QHE31 2019/01/25		DRAWING			
0 PLACES	± 0.2	APPR: KOMURAKAMI 2020/02/19		SERIES			
DRAFT WHERE APPLICABLE MUST REMAIN WITHIN DIMENSIONS		THIRD ANGLE PROJECTION	DRAWING	SHEET	MATERIAL NUMBER	CUSTOMER	SHEET NUMBER
		⊕	A3-SIZE	205338	SEE CHART OF SHEET 1	GENERAL	3 OF 4

△ 5 適用製品及び各種仕様書
 APPLICABLE PRODUCTS AND VARIOUS SPECIFICATIONS

梱包仕様書 PACKAGING SPECIFICATION	PART NUMBER 205338****	DOCUMENT NUMBER 2053389200-SPK PS 200
----------------------------------	---------------------------	--

適合嵌合相手 MATE WITH	HOUSING	CRIMP TERMINAL (GOLD PLATING)	
製品番号 PRODUCT NUMBER	205341****	#20 - #22 2053425028	#24 - #26 2053425128
製品仕様書 PRODUCT SPECIFICATION	2053410000-PS PS 000		
アプリケーション仕様書 APPLICATION SPECIFICATION	2053410000-AS PS 000		

THIS DRAWING CONTAINS INFORMATION THAT IS PROPRIETARY TO MOLEX ELECTRONIC TECHNOLOGIES, LLC AND SHOULD NOT BE USED WITHOUT WRITTEN PERMISSION										
DIMENSION UNITS	SCALE	CURRENT REV DESC:				molex				
mm	NTS									
GENERAL TOLERANCES (UNLESS SPECIFIED)		EC NO: 639970 DRWN: QHE31 2020/06/22 CHK'D: SAKIYAMA 2020/06/22 APPR: KOMURAKAMI 2020/06/23 INITIAL REVISION: DRWN: QHE31 2019/01/25 APPR: KOMURAKAMI 2020/02/19				PICO-LOCK 2.0 PLUG ASSY SINGLE-ROW SMT R/A TYPE GOLD PLATING				
ANGULAR TOL	± 3.0 °					PRODUCT CUSTOMER DRAWING				
4 PLACES	± 0.2					DOCUMENT NUMBER		DOC TYPE	DOC PART	REVISION
3 PLACES	± 0.2					2053380000-SD		PSD	000	B
2 PLACES	± 0.2					MATERIAL NUMBER		CUSTOMER		SHEET NUMBER
1 PLACE	± 0.2					205338		GENERAL		4 OF 4
0 PLACES	± 0.2	DRAWING		SERIES		DATE				
DRAFT WHERE APPLICABLE MUST REMAIN WITHIN DIMENSIONS		THIRD ANGLE PROJECTION	DRAWING	SERIES	MATERIAL NUMBER		CUSTOMER		SHEET NUMBER	
			A3-SIZE	205338	GENERAL		4 OF 4			