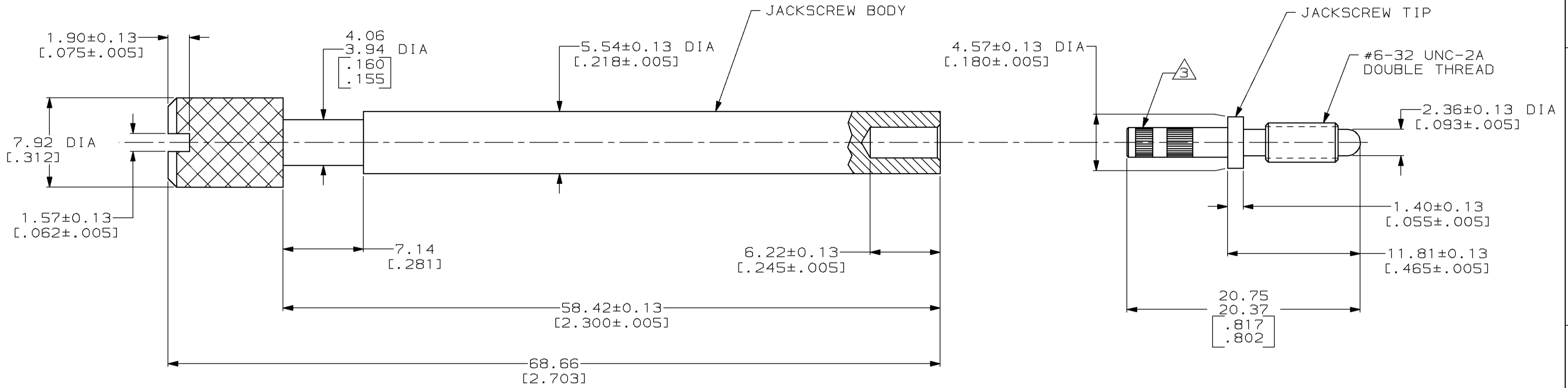
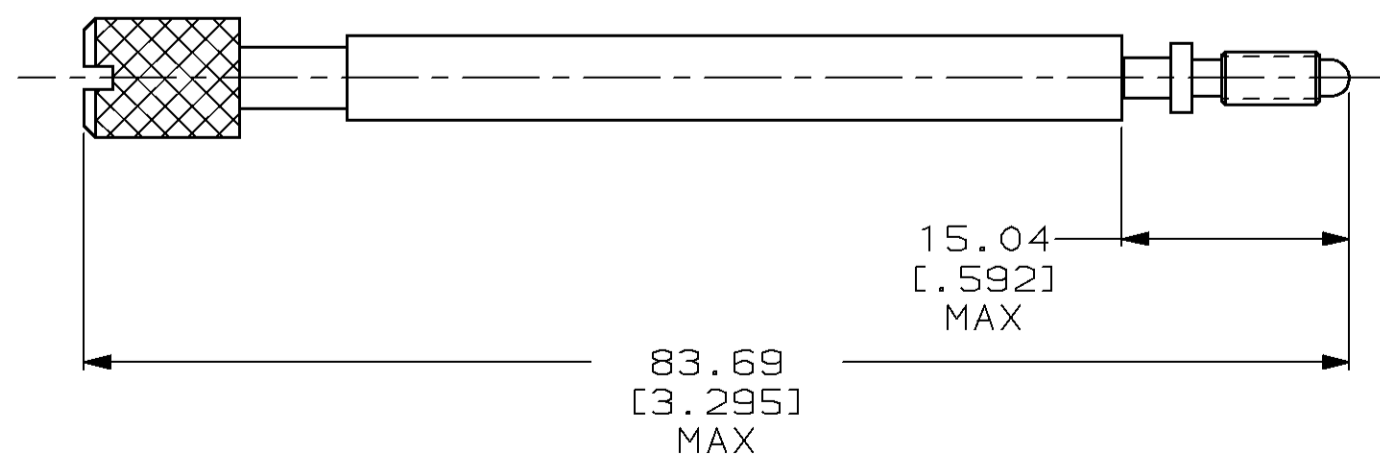


THIS DRAWING IS UNPUBLISHED. RELEASED FOR PUBLICATION  
 BY AMP INCORPORATED. ALL RIGHTS RESERVED.

LOC	DIST	REVISIONS			
P	LTR	DESCRIPTION	DATE	DWN	APVD
FT	8	F	REDRAWN W/O CHANGE PER EC 0020-289-96	07 AUG 96	-



- ① JACKSCREW BODY: BRASS.  
JACKSCREW TIP: STAINLESS STEEL.
- ② JACKSCREW BODY: 5.08µm [.000200] MIN NICKEL.
- ③ TIP KNURLED 2 PLC FOR PRESS FIT.



ASSEMBLED VIEW

205268-1  
 PART NUMBER

THIS DRAWING IS A CONTROLLED DOCUMENT.		DWN B. CARBO	07 AUG 96	AMP Incorporated Harrisburg, PA 17105-3608					
DIMENSIONS: mm [INCHES]		CHK R. STONE	04 JUN 97						
TOLERANCES UNLESS OTHERWISE SPECIFIED:		APVD G. STEINHAUER	02 SEP 97						
0 PLC ±- 1 PLC ±- 2 PLC ±0.38 [.015] 3 PLC ±- 4 PLC ±- ANGLES ±- FINISH ±-		NAME	JACKSCREW KIT, UNASSEMBLED, MALE, LONG, M SERIES						
MATERIAL	①	PRODUCT SPEC	-	SIZE	A2	CAGE CODE	00779	DRAWING NO	②-205268
CUSTOMER DRAWING		APPLICATION SPEC	-	WEIGHT	-	SCALE	4:1	SHEET	1 OF 1
		REVISIONS		REV	F				