

## 8 MHz Ceramic Resonator / Oscillator

PRODUCT ID: 1872

97 IN STOCK

1

ADD TO CART

1-9

10-99

100+

ADD TO WISHLIST

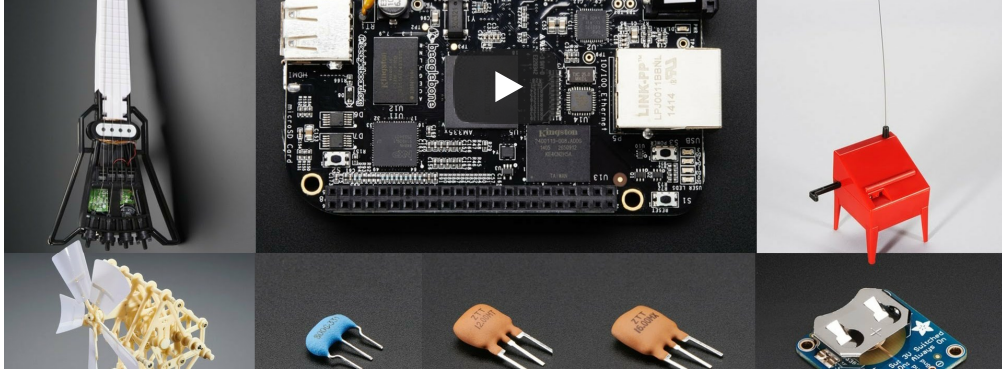
[DESCRIPTION](#)[TECHNICAL DETAILS](#)

## DESCRIPTION

Keep your microcontroller tickin' with a ceramic oscillator. These little devices are bread-board friendly (0.1" pin spacing) and easy to use. They act much like crystals with the 'stability' capacitors inside. They have 0.5% accuracy, great for every day electronics and microcontroller work and certainly precise enough for UART or other baud-rate generation. For ultra-high precision needs (USB timing, long-term time-keeping, RF/PLL/VCO driving) you may need a crystal or temperate-compensated oscillator.

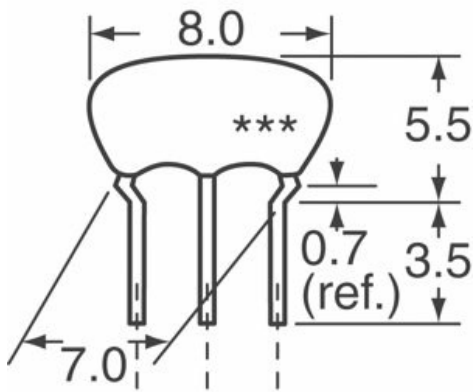
To use, connect the two outer pins to XTAL-in and XTAL-out on your circuit (they package is symmetric so use whichever outer pin) and the inner pin to ground. Check the datasheet for more specs

New Products 5/14/2014  



## TECHNICAL DETAILS

- Total Dimensions: 8mm x 9mm x 2mm / .3" x .4" x .08"
- Pin Length: 4.3mm / .17"



- [datasheet](#)



## MAY WE ALSO SUGGEST...



10-pin IDC Socket Rainbow



FTDI Serial TTL-232 USB



Adafruit 6-pin AVR ISP



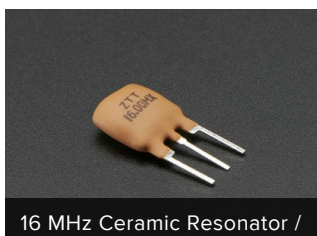
12 MHz Ceramic Resonator /



USBtinyISP AVR



Arduino bootloader-



16 MHz Ceramic Resonator /



Barebones AVR dev. board



28-pin ZIF socket



16 MHz Crystal + 20pF



4 MHz Crystal + 20pF



8 MHz Crystal + 20pF

## DISTRIBUTORS [EXPAND TO SEE DISTRIBUTORS](#)

[CONTACT](#)

[SUPPORT](#)

[DISTRIBUTORS](#)

[EDUCATORS](#)

[JOBS](#)

[FAQ](#)

[SHIPPING & RETURNS](#)

[TERMS OF SERVICE](#)

[PRIVACY & LEGAL](#)

[ABOUT US](#)

ENGINEERED IN NYC Adafruit®

*"Be so good they can't ignore you" -*  
**Steve Martin**



4.9 ★★★★★  
Google  
Customer Reviews