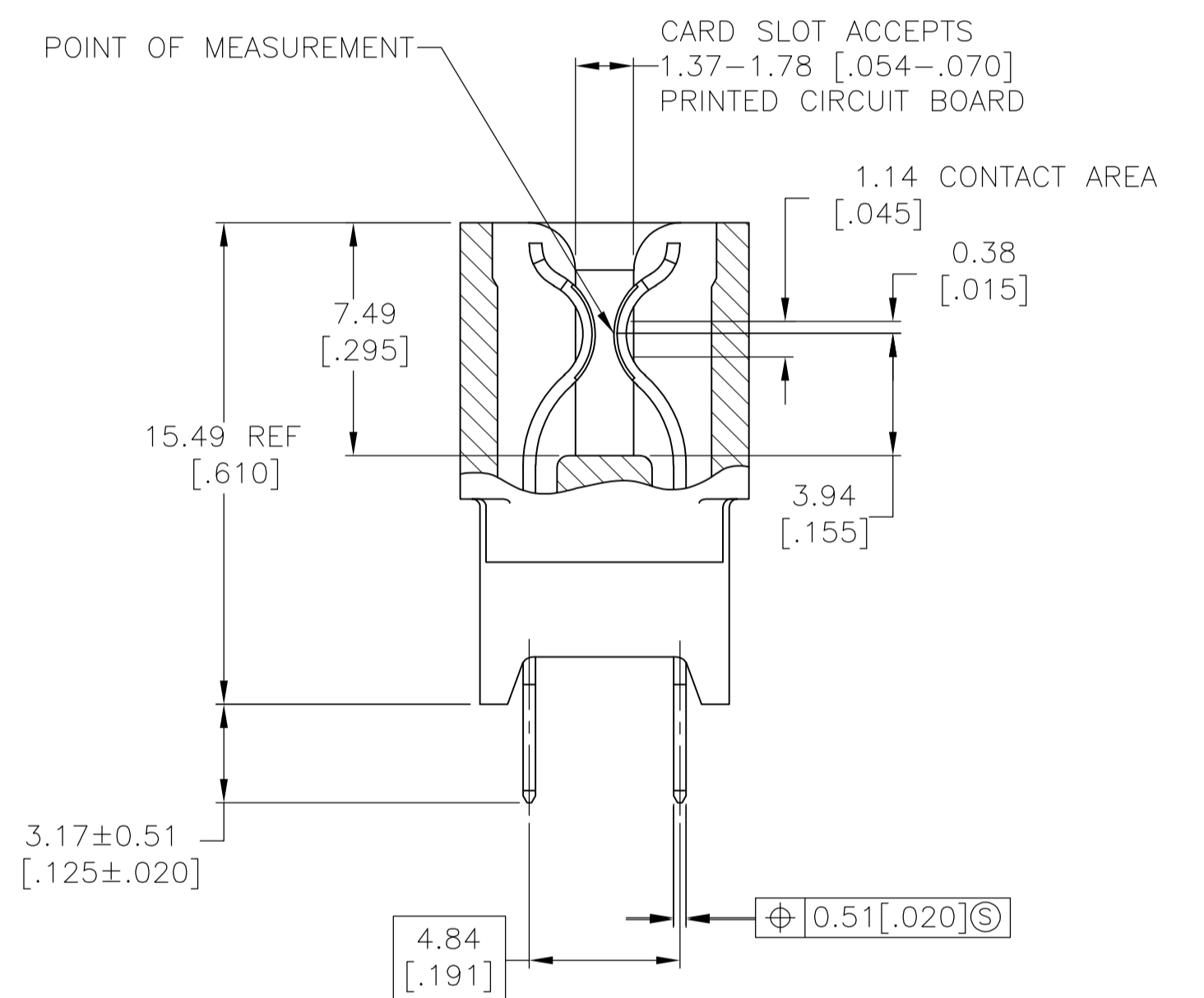
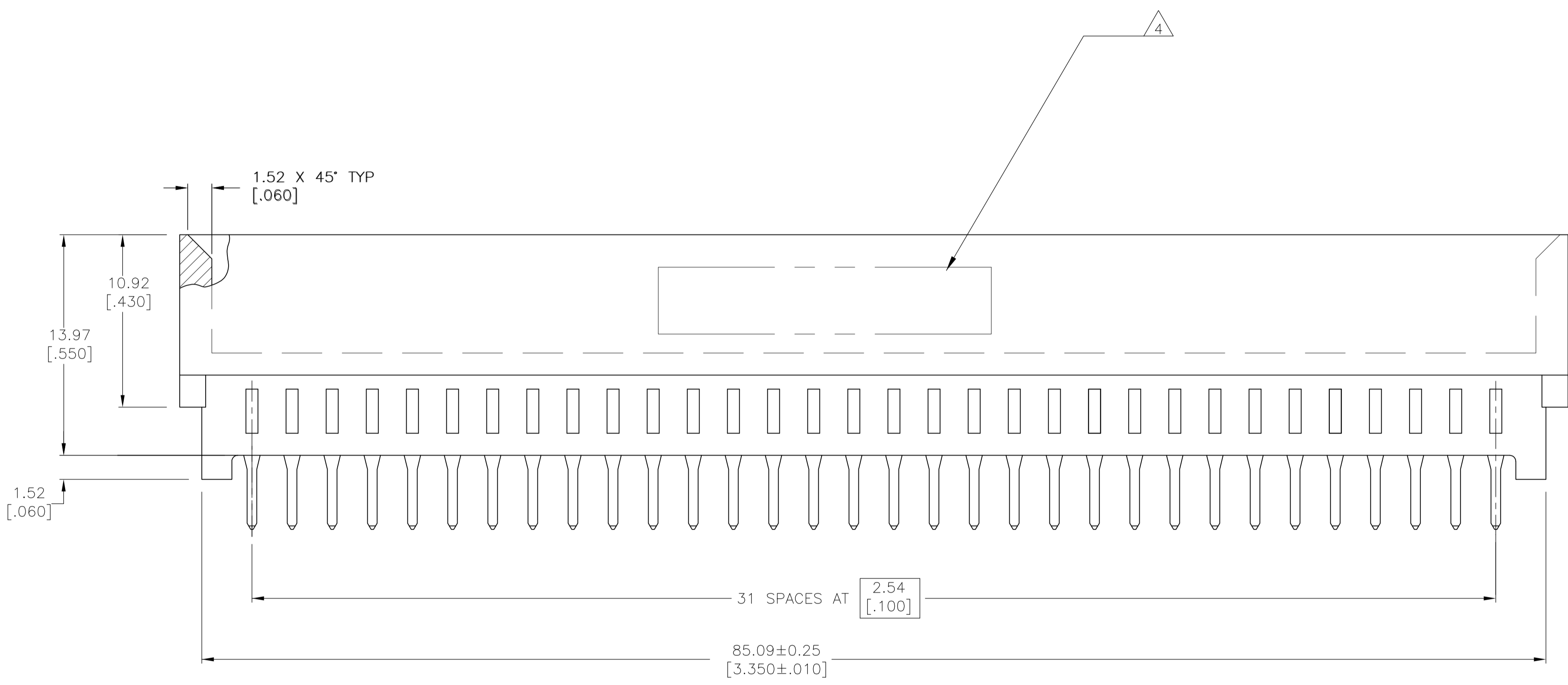


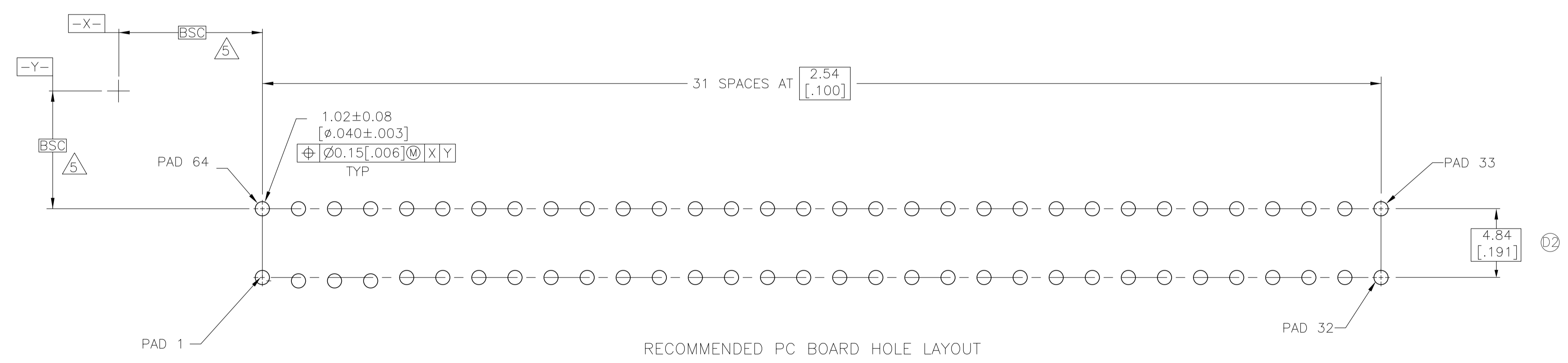
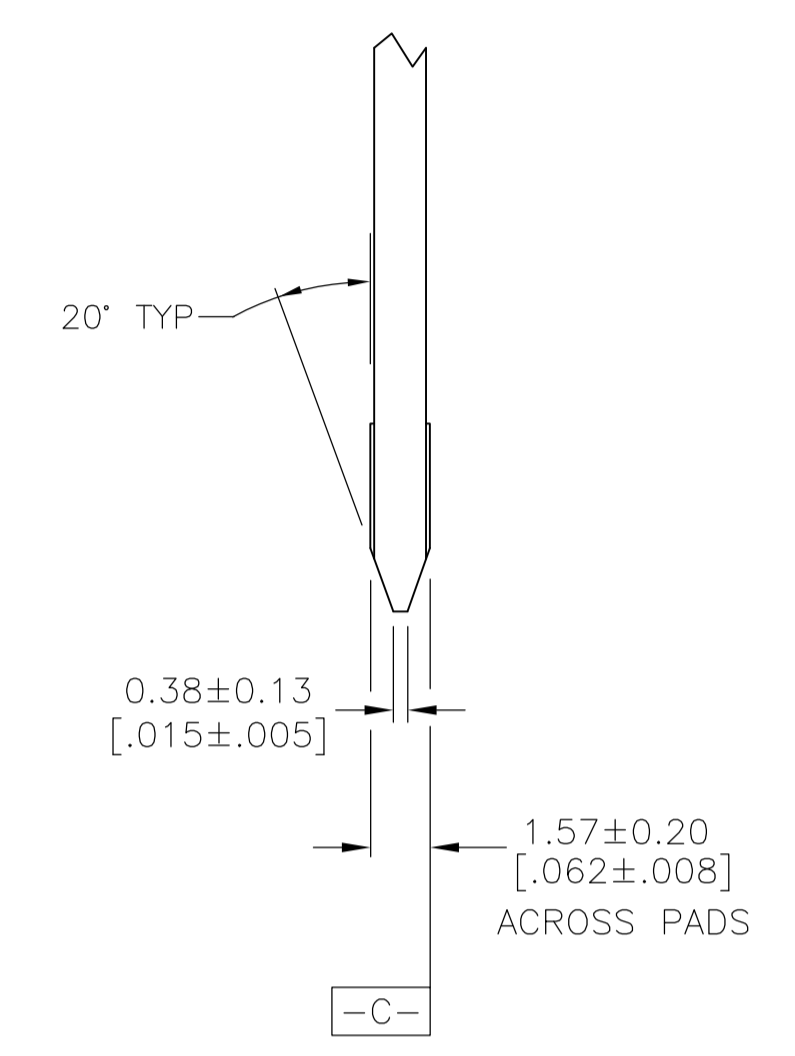
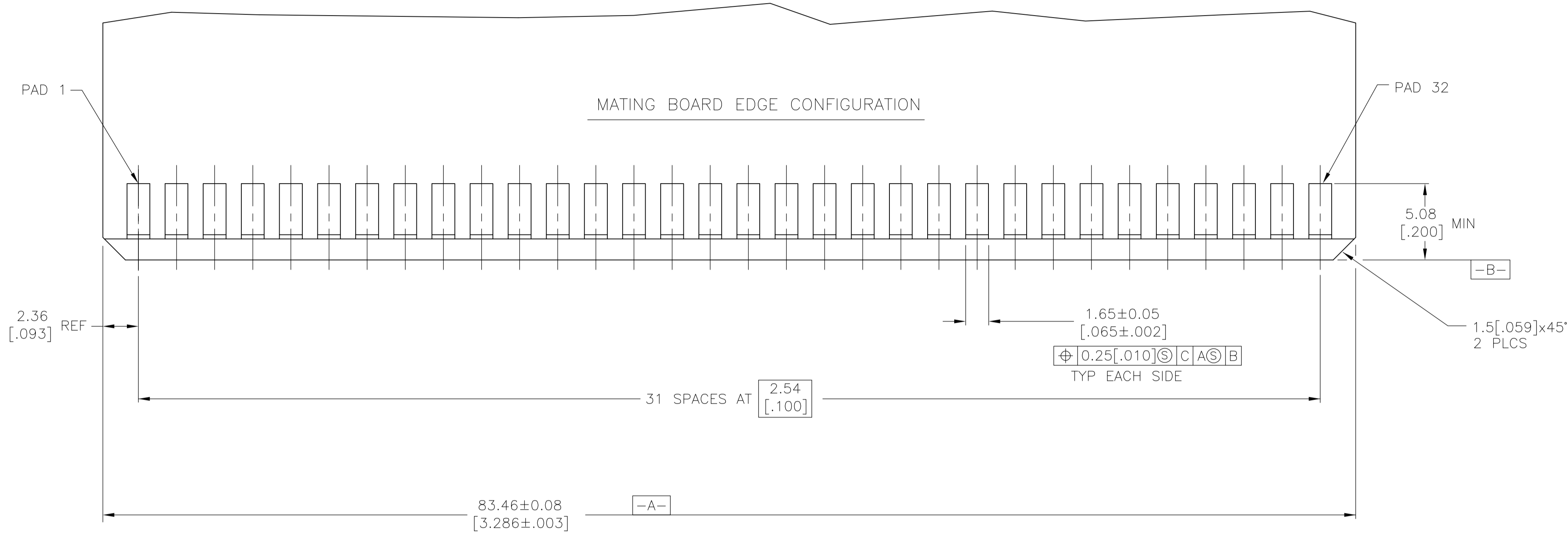
BOARD RETENTION FEATURE



- 1 HOUSING: GLASS FILLED POLYESTER, BLACK.
- 2 CONTACT: HIGH CONDUCTIVITY COPPER ALLOY.
NICKEL PLATE: 0.00127 [.000050] MIN - ALL OVER.
MATTE TIN PLATE: 0.00254 [.000100] MIN - SOLDER POSTS.
GOLD PLATE: 0.00076 [.000030] MIN - CONTACT AREA.
- 3. NICKEL PLATE PER MIL-G-45204.
GOLD PLATE PER QQ-N-290.
- 4 AMP PART NUMBER AND DATE CODE MAY BE MARKED IN APPROXIMATE AREA SHOWN, EITHER SIDE.
- 5 DATUMS PLUS BASIC DIMENSIONS ESTABLISHED BY CUSTOMER.

2,3,30,31,34,35,62,63	1761469-1
RETENTION LOCATION	PART NUMBER

THIS DRAWING IS A CONTROLLED DOCUMENT.		DIN R GRZYBOWSKI 21SEPT04	TE Connectivity
DIMENSIONS: mm [INCHES]		CHK A FRANTUM 21SEPT04	
TOLERANCES UNLESS OTHERWISE SPECIFIED:		APVD A FRANTUM 21SEPT04	NAME
0 PLC ± -	1 PLC ± -	PRODUCT SPEC	CONNECTOR ASSEMBLY, STANDARD EDGE II, HIGH CURRENT
2 PLC ± -	3 PLC ± -	APPLICATION SPEC	DUAL POSITION, 2.54 [.100] CENTERLINE
4 PLC ± -	ANGLES ± °	SIZE	114-13018
MATERIAL	FINISH	WEIGHT	100779 C=1761469
1 2	2	CUSTOMER DRAWING	SCALE 5:1 SHEET 1 OF 2 REV D2



THIS DRAWING IS A CONTROLLED DOCUMENT.		DWN: R. GRZYBOWSKI 21SEPT04	TE Connectivity	
DIMENSIONS: mm [INCHES]		CHK: A. FRANTUM 21SEPT04	NAME: CONNECTOR ASSEMBLY, STANDARD EDGE II, HIGH CURRENT DUAL POSITION, 2.54 [.100] CENTERLINE	
TOLERANCES UNLESS OTHERWISE SPECIFIED:		APPD: A. FRANTUM 21SEPT04	PRODUCT SPEC: 108-2148	
0 PLC ± -		APPLICATION SPEC: 114-13018		
1 PLC ± -		SIZE: A1 00779 C=1761469		
2 PLC ± .13 [.005]		WEIGHT: -		
3 PLC ± -		MATERIAL: SEE SHEET 1		
4 PLC ± -		FINISH: SEE SHEET 1		
ANGLES ± 2'		CUSTOMER DRAWING		
		SCALE: 5:1 SHEET 2 OF 2 REV: D2		