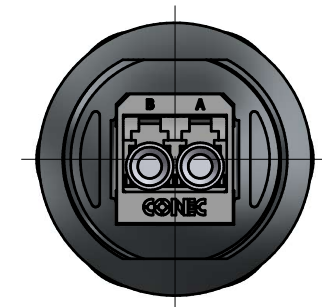
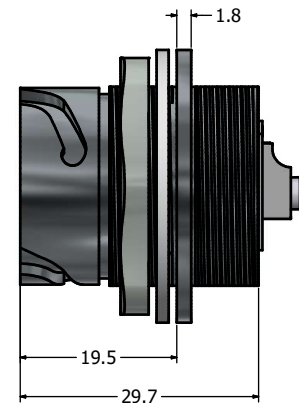
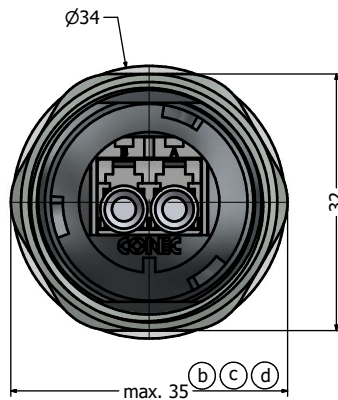


Notes:

- Material and Finish:
 - Receptacle Housing: Zinc Die-Cast, Nickel Plated
 - Panel Nut: Brass, Finish: Nickel Plated
 - Panel Gasket: Silicone, Color: White
- Duplex LC Adaptor Assembly:
 - Housing: Mod. PPO, UL94 V-0, Color: **SM Blue/MM Beige/APC SM Green**
 - Alignment Sleeves: SM Ceramic/MM Phosphor Bronze
 - Dust Cap: PP, Color: Neutral transparent
 - Operating Temperature: -40°C to +85°C
- Connector can be front or rear mounted to a maximum panel thickness of 3.2mm.
- IP67 rated when covered or fully mated with the appropriate mating connector
- Recommended Mounting Panel Nut torque is 20 to 25 lb-inch



Description	Part Number
Single Mode (SM)	17-300060
Multi Mode (MM)	17-300070
(b) APC Single Mode (APC SM)	17-300180

RoHS compliant

THIS DRAWING MAY NOT BE COPIED OR REPRODUCED IN ANY MANNER OR ON A THIRD PARTY WITHOUT WRITTEN PERMISSION. OWNERSHIP AND COPYRIGHT OF CONEC CORPORATION.	Customer:			Tolerance Unless otherwise specified 0 PLC ±0.50 1 PLC ±0.38 2 PLC ±0.25 3 PLC ±0.10 ANGLES ±3°		Scale: 1.5:1	Dim. in mm		
	Name	Title	Approval Date			Material: See Notes			
	1 x d	Ä21-0426	26.10.2021			Bub	Title: IP67 Industrial Duplex LC Receptacle Assembly Kit		
	c	3 x c	Sep/25/2013			Vincent Ke	Nickel Plated Die-Cast Version		
b	4 x b	Feb/25/2011	Vincent Ke	2008	Date	Name	Title: IP67 Industrial Duplex LC Receptacle Assembly Kit		
a	original			Draw.	Jun. 03	Vincent Ke	Material: See Notes		
Rev.	Changes	Date	Name	Appd.	Jun. 03	J. Chaudry	Title: IP67 Industrial Duplex LC Receptacle Assembly Kit		
				Norm			Drawing No.: 17K1A171		
				D-old			Part No.: SEE PART NUMBER TABLE		
							DIN A3		
							Sheet 1/1		

