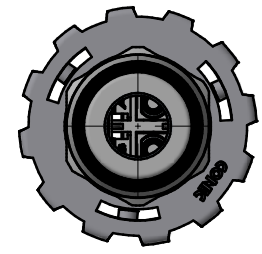
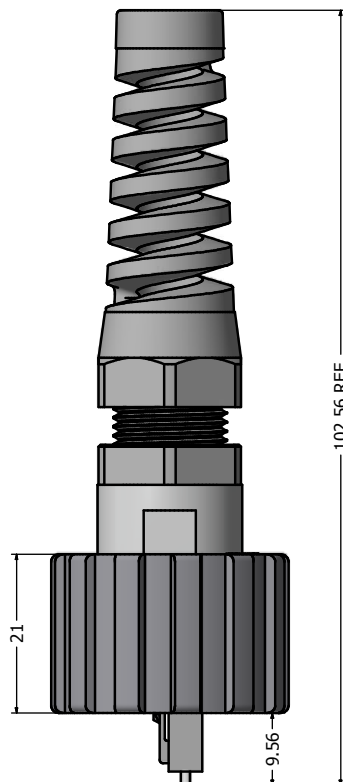
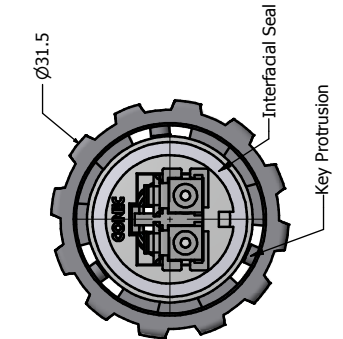
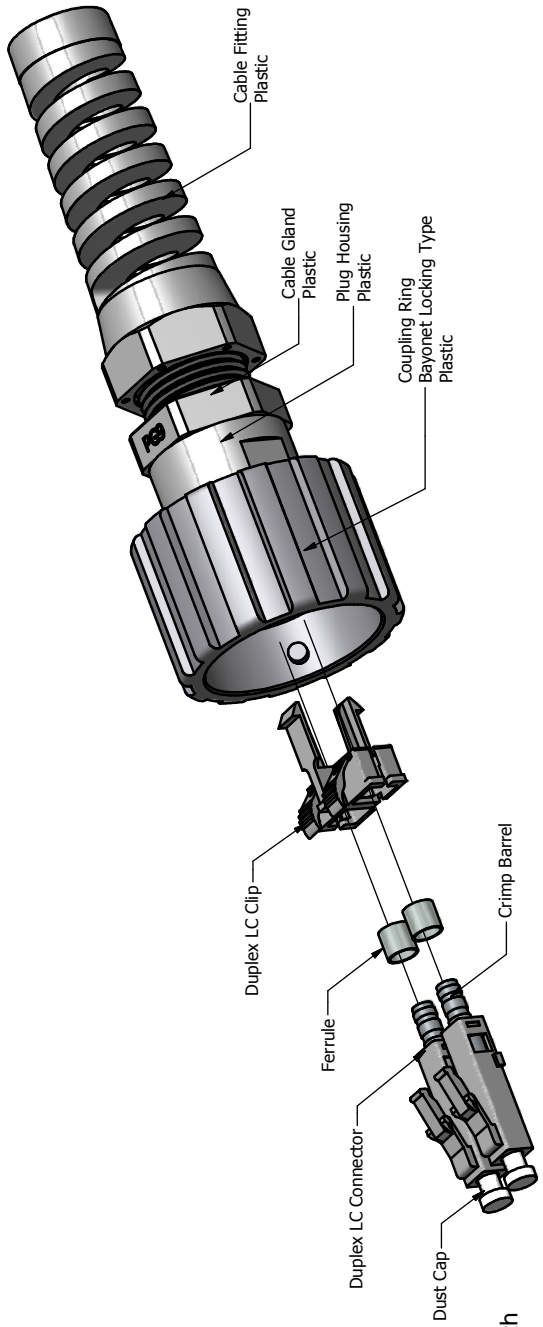


**Notes:**

1. Material and Finish:
  - Coupler Ring: Polyester (Black); UL94 V-0
  - Plug Housing: Polyester (Black); UL94 V-0
  - Cable Gland: PA (Black), UL94 V-0
  - Cable Gland Rubber Ring: NBR, Color: Black
  - Cable Fitting: PA (Black), UL94 V-0
  - Interfacial Seal: Silicone, Color: White
- (f) Duplex LC Connector
  - Housing: PEI, UL94 V-0;
- (e) (b) Color: **SM Blue/MM Beige/APC SM Green**
  - Inner Sub Assembly: Zirconia, Metal and PTFE
  - Crimp Barrel: Brass, Nickel Plated
  - Ferrule: Brass, Nickel Plated
  - Dust Cap: PC, Color: White
- (c) Duplex LC Clip: PC, Color: Black
  - Operating Temperature: -40°C to +85°C
- (h) 2. IP67/IP68 rated when covered or fully mated with the appropriate mating connector
- (d) 3. Accept 4.5mm to 8.0mm outside diameter fiber optic cable



**RoHS Compliant**

Description	Part Number
Single Mode (SM)	17-300030
Multi Mode (MM)	17-300040
(e) APC Single Mode (APC SM)	17-300110

Customer:		Title		Approval Date		Tolerance		Scale: 1.5:1		Dim. in mm	
Name		Title		Approval Date		Unless otherwise specified		Material: See Notes		Title: IP67 Industrial Duplex LC Plug Kit	
h 1 x h		Dec/03/2015		Vincent Ke		0 PLC ±0.08		Name		DIN A3	
g 1 x g		Sep/25/2015		Vincent Ke		1 PLC ±0.25		Date		Sheet 1/1	
f 1 x f		Jul/12/2011		Vincent Ke		2 PLC ±0.25		Draw		A3	
e 2 x e		Nov/22/2010		Vincent Ke		3 PLC ±0.10		App.		Drawing No.: 17K1A003	
d 1 x d		Nov/03/2010		Vincent Ke		ANGLES ±3°		Norm		Part No.: SEE PIN ABOVE	
c 1 x c		Jul/19/2010		Vincent Ke				D-did			
a original											
Rev.		Changes		Date		Name					

THIS DRAWING MAY NOT BE COPIED OR REPRODUCED IN ANY WAY, AND NOT BE PASSED ON TO A THIRD PARTY WITHOUT WRITTEN PERMISSION. OWNERSHIP AND COPYRIGHT OF CONEC CORPORATION. DOT NOT ALTER CAD DRAWING BY HAND



Autodesk Inventor  
Name: Vincent Ke  
Date: Jun. 06  
Appr.: J. Chaudry  
Title: IP67 Industrial Duplex LC Plug Kit  
Drawing No.: 17K1A003  
Part No.: SEE PIN ABOVE