

[Find by Feature](#)[Browse by Category](#)[Share](#) [Search →](#)

Enter part number or keyword

Search Results (0)

[Search Options](#)

Select a product type to narrow your search:

Mounting Device ▾

Results with your selections: --

Component Type ▾

Component Feature ▾

Fastening Type ▾

Hole diameter [mm] ▾

Bundle size [mm] ▾

Stud Size ▾

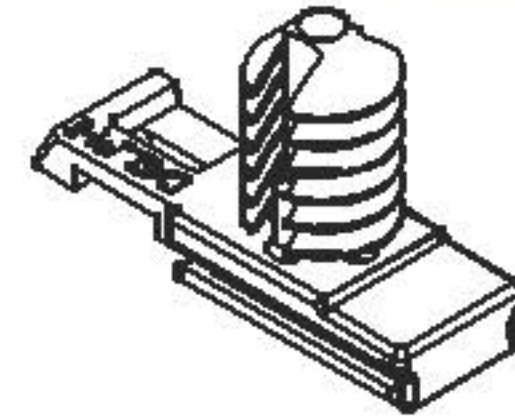
Conduit Size [mm] ▾

Color ▾

Material ▾

[Clear](#)[Search →](#)

Connector Attachment Clip Nail, Attachment Hole Diam 6.35 Part #15318012

[Question about this product?](#)[Attributes](#)[Documents \(4\)](#)

Part #:	15318012
Description:	Connector Attachment Clip Nail, Attachment Hole Diam 6.35
Product Type:	Mounting Device
Fastening Type:	Nail
Status:	Active
Component Type:	Clip
Component Feature:	Connector
Hole size [mm]:	6.35
Length [mm]:	25.40
Color:	Black
Material:	Nylon
Weight [g]:	0.86
ELV compliant:	Yes
RoHs compliant:	Yes

Certain products listed on this website may be subject to restricted usage or distribution or may not be available. For additional information, please contact your local sales office.