

PRODUCT DESCRIPTION CODE :

10143535-1XXK LF

RoHS COMPATIBLE, SEE NOTE 3

FOR CUSTOMER CODE :  
BLANK = GENERAL USE

PACKAGING :  
K = TAPE & REEL

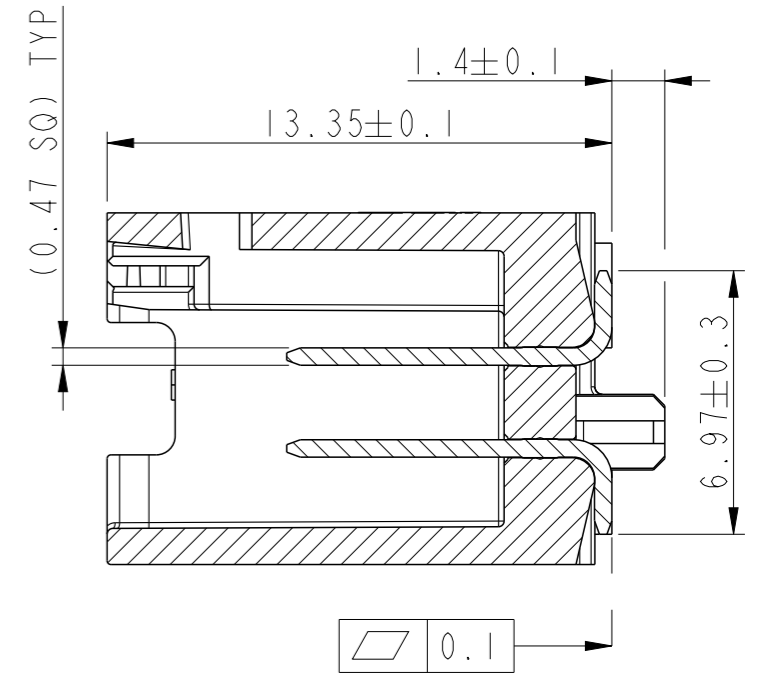
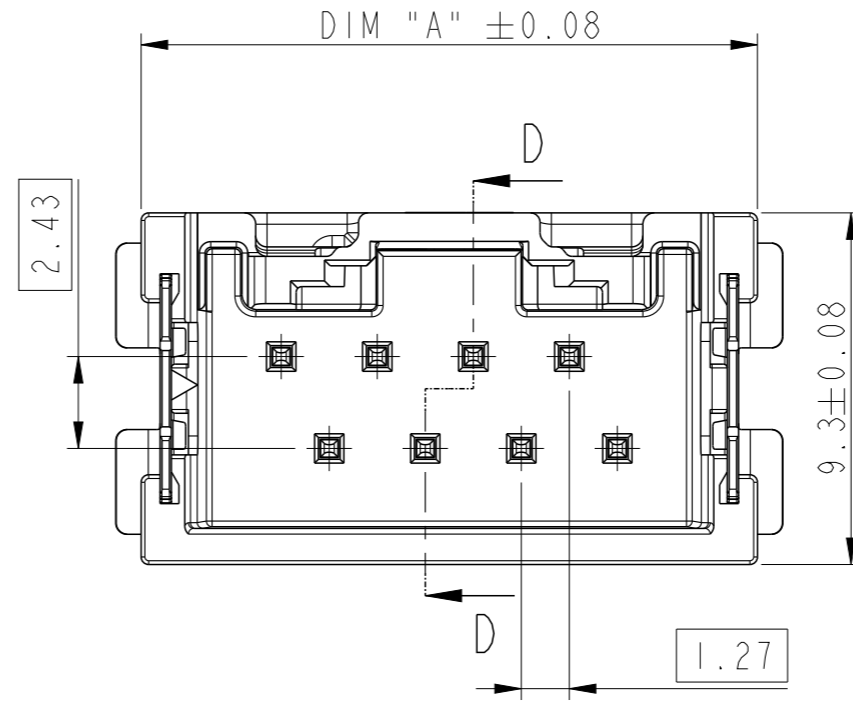
NUMBER OF POSITIONS : 04 TO 16

PLATING :

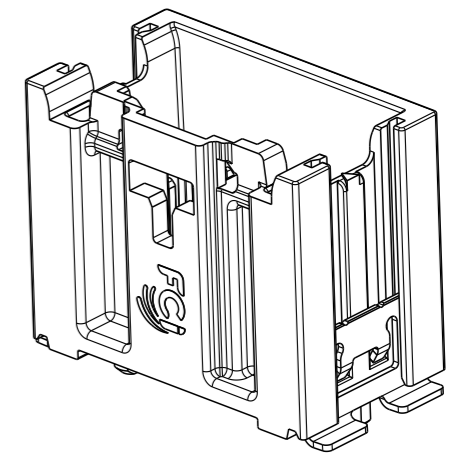
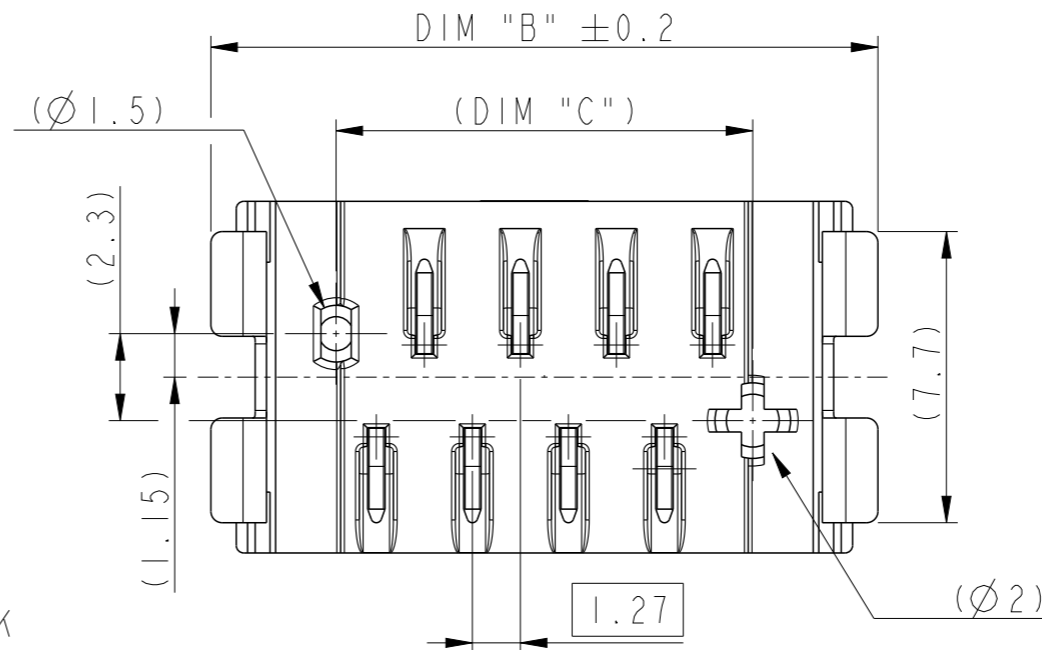
- 1 = 3µm MIN MATTE TIN (PREPLATED)
- 2 = 3µm MIN MATTE TIN (POST-PLATED)
- 3 = 0.76µm MIN GOLD (CONTACT AREA)
- ALL OVER 1.27µm MIN NICKEL UNDERLAYER

NOTES:

- 1 - MATERIAL:  
HOUSING : HIGH TEMPERATURE THERMOPLASTIC  
COLOR BLACK UL94 V-0  
PIN : HIGH CURRENT COPPER ALLOY
- 2 - TO BE MATED WITH MINITEK µSPACE RECEPTACLE SERIES 10142348
- 3 - RoHS COMPATIBLE PRODUCT SPECIFICATIONS
  - a - PLATING:  
"LF" MEANS THE PRODUCT IS LEAD FREE,  
3µm MINIMUM MATTE TIN OVER 1.27µm MINIMUM NICKEL UNDERPLATE.
  - b - MANUFACTURING PROCESS COMPATIBILITY:  
THE HOUSING WILL WITHSTAND EXPOSURE TO 260°C PEAK TEMPERATURE FOR 30 SECONDS MAX IN A CONVECTION, INFRA-RED OR VAPOR PHASE OR REFLOW OVEN.
  - c - LABELLING :  
MEETS PACKAGING SPECS AS PER GS-14-920
  - d - LEGAL STATEMENT :  
SEE GS-47-0004.



SECTION D-D



SCALE 3:1

spec ref	GS-12-1422	dr	Sawanth, Ambaa	2018/07/10	projection	mm	size	A3	scale	5:1	
tolerance std	ISO 406 ISO 1101	eng	Cyril Jeune	2019/05/10			ecn no	ELX-F-33513-1			
TOLERANCES UNLESS OTHERWISE SPECIFIED		chr	Hyppias, Arnau	2019/05/10			rel level	Released			
surface	linear	appr	Beatrice Vial	2019/05/13	product family	-	dwg no	10143535		rev	B
ISO 1302	angular			<b>Amphenol FCI</b>		HEADER ASSEMBLY MINITEK µSPACE VERT. STG TOP LATCH		Product - Customer Drw		sheet 1 of 3	

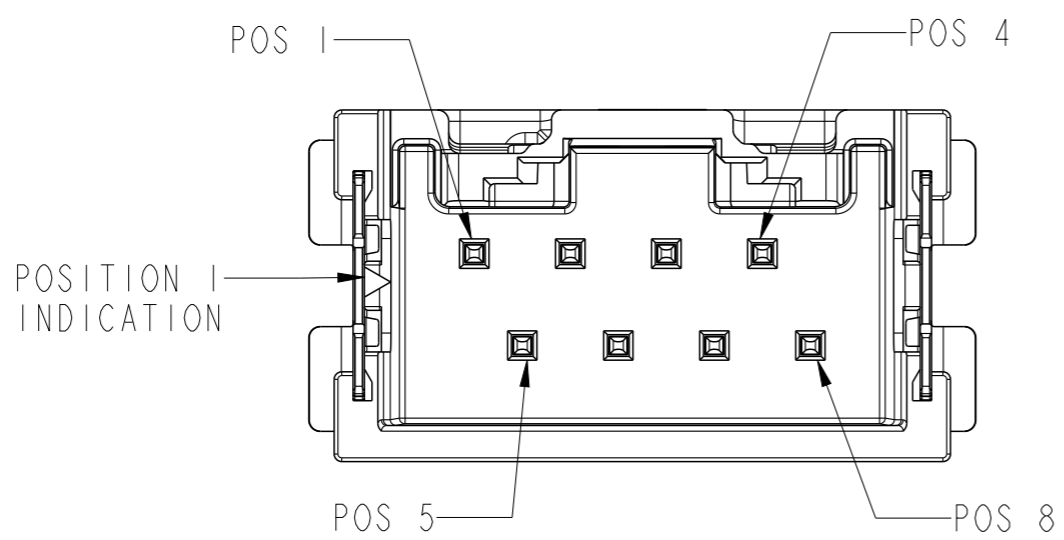
1

2

3

4

PART NO.	NO. OF POSN	DIM "A"	DIM "B"	DIM "C"
10143535-104KLF	04	11.22	12.56	05.94
10143535-105KLF	05	12.49	13.83	07.21
10143535-106KLF	06	13.76	15.10	08.48
10143535-107KLF	07	15.03	16.37	09.75
10143535-108KLF	08	16.30	17.64	11.02
10143535-109KLF	09	17.57	18.91	12.29
10143535-110KLF	10	18.84	20.18	13.56
10143535-111KLF	11	20.11	21.45	14.83
10143535-112KLF	12	21.38	22.72	16.10
10143535-113KLF	13	22.65	23.99	17.37
10143535-114KLF	14	23.92	25.26	18.64
10143535-115KLF	15	25.19	26.53	19.91
10143535-116KLF	16	26.46	27.80	21.18



POSITION NUMBER INDICATION FOR 8POS VERSION

Amphenol  
FCi

© 2016 AFCI

spec ref	GS-12-1422	dr	Sawanth, Ambaa	2018/07/10	projection	mm	size	A3	scale	5:1
tolerance std	ISO 406 ISO 1101	eng	Cyril Jeune	2019/05/10			ecn no	ELX-F-33513-1		
surface	TOLERANCES UNLESS OTHERWISE SPECIFIED linear	chr	Hyppias, Arnau	2019/05/10				product family	-	rel level
		appr	Beatrice Vial	2019/05/13	Released					
		ISO 1302	angular	0°	±2°	<b>Amphenol FCI</b>				title HEADER ASSEMBLY MINITEK μSPACE VERT. STG TOP LATCH
		cat. no.	-		Product - Customer Drw			sheet 2 of 3		

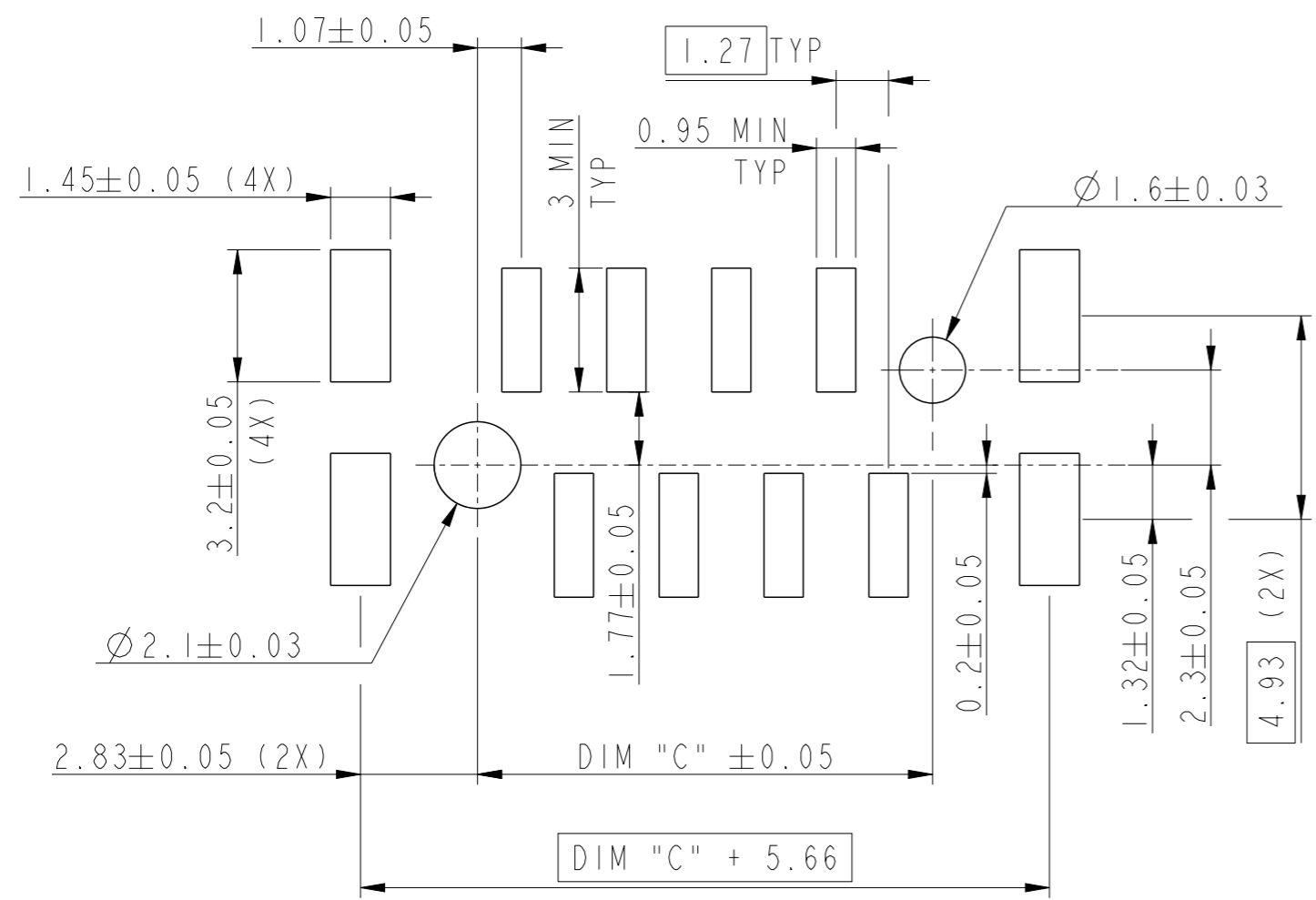
2

3

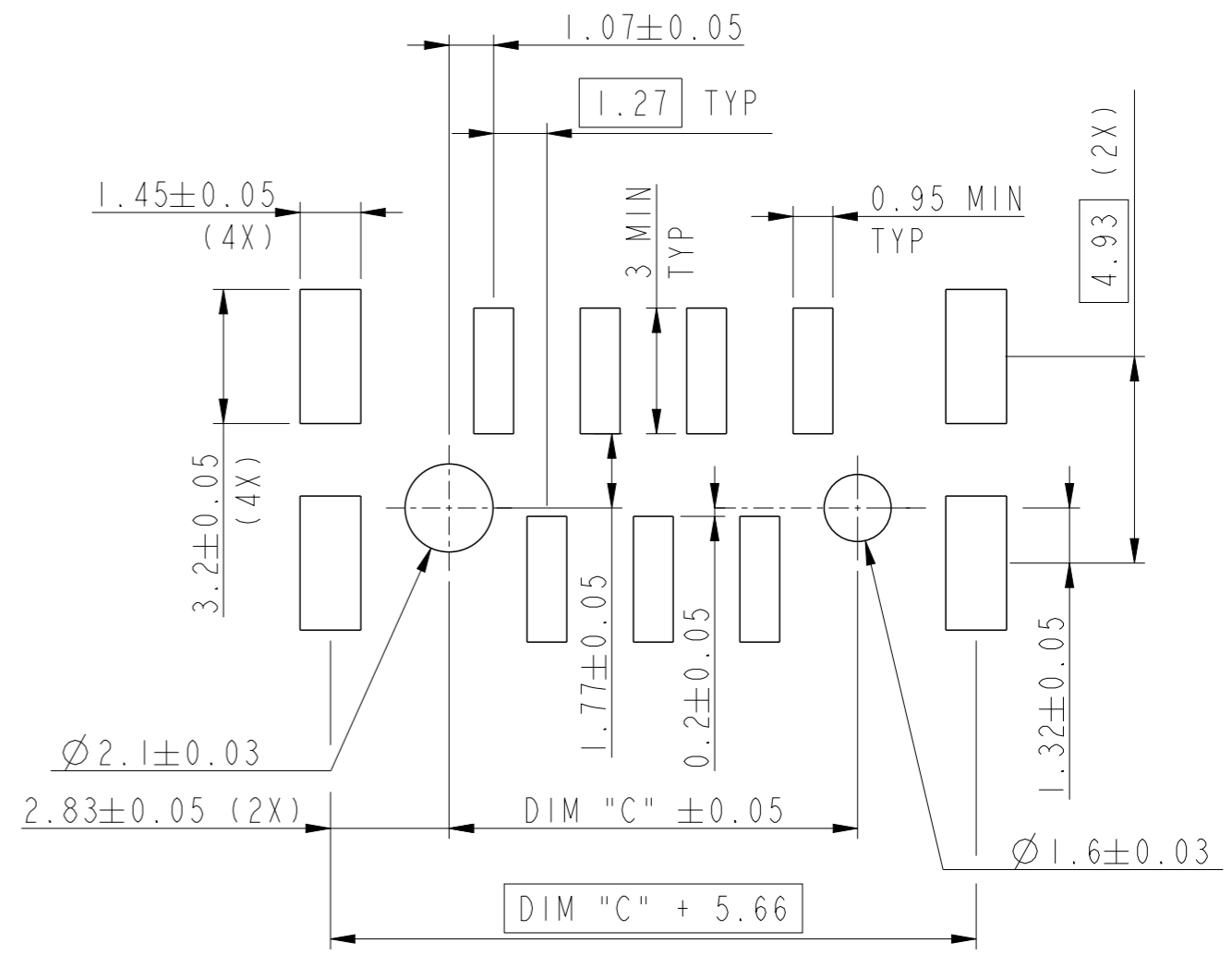
PDS: Rev :B

STATUS:Released

Printed: May 13, 2019



RECOMMENDED PCB LAYOUT FOR 04,06,08,10,12,14,16 POS



RECOMMENDED PCB LAYOUT FOR 05,07,09,11,13,15 POS

spec ref	GS-12-1422	dr	Sawanth, Ambaa	2018/07/10	projection	mm	size	A3	scale	6:1	
tolerance std	ISO 406 ISO 1101	eng	Cyril Jeune	2019/05/10			ecn no	ELX-F-33513-1			
TOLERANCES UNLESS OTHERWISE SPECIFIED		chr	Hyppias, Arnau	2019/05/10			rel level	Released			
surface	<input checked="" type="checkbox"/> linear <input type="checkbox"/> angular	0.X	±0.3		<b>Amphenol FCi</b>	<b>HEADER ASSEMBLY</b> MINITEK μSPACE VERT. STG TOP LATCH	dwg no 10143535	rev <b>B</b>	cat. no.		-
ISO 1302		0.XX	±0.10						Product - Customer Drw		sheet 3 of 3
	0.XXX	±0.005		PDS: Rev :B					STATUS:Released		Printed: May 13, 2019
		0°	±2°		Product - Customer Drw		sheet 3 of 3				