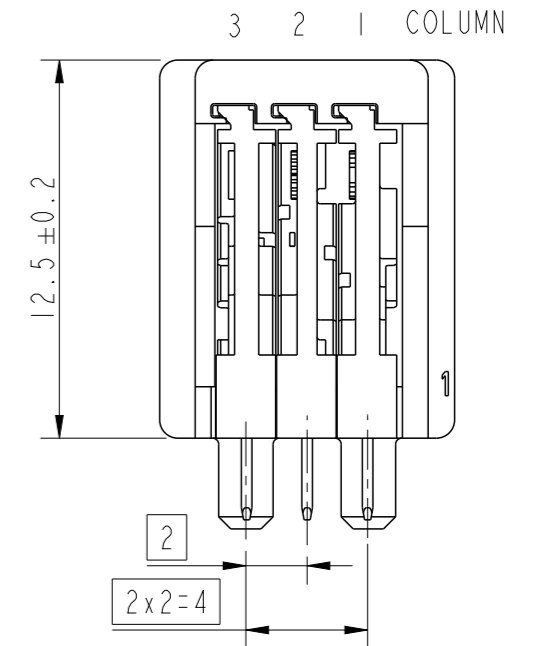
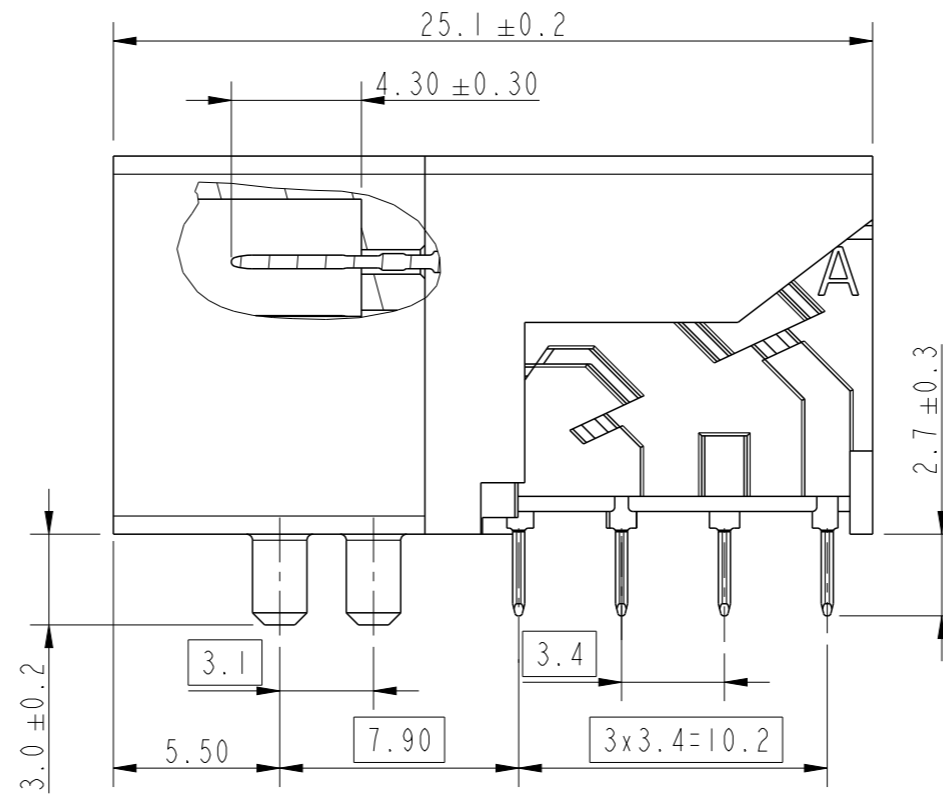
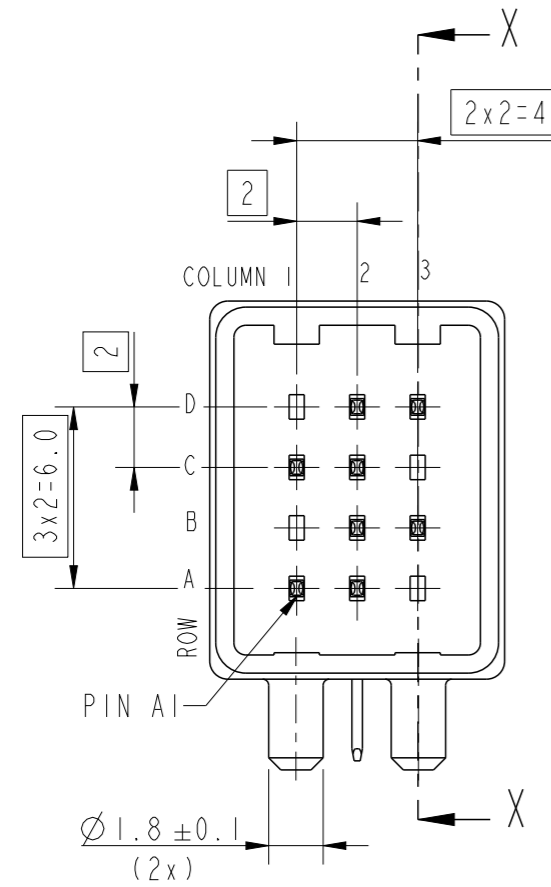
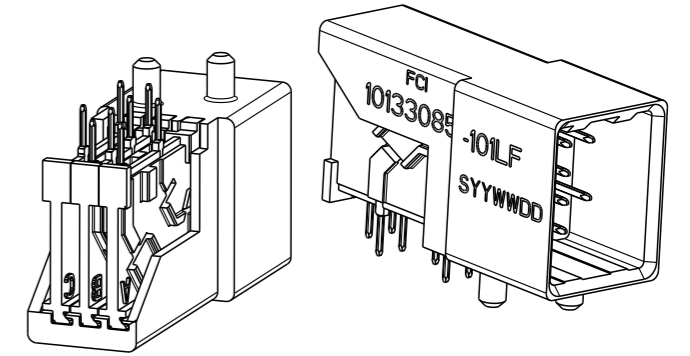
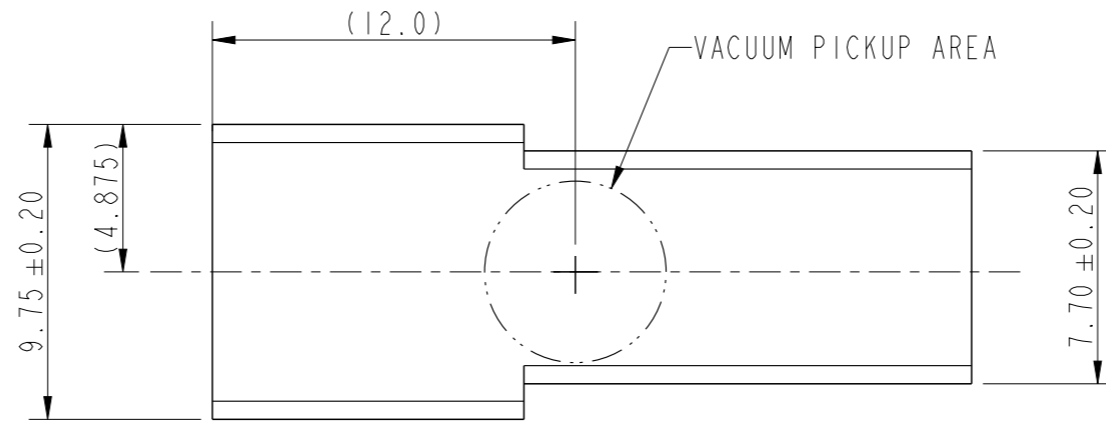


PRODUCT NUMBER
SEE TABLE

(SEE NOTE 8, SHEET 6)



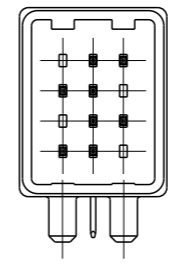
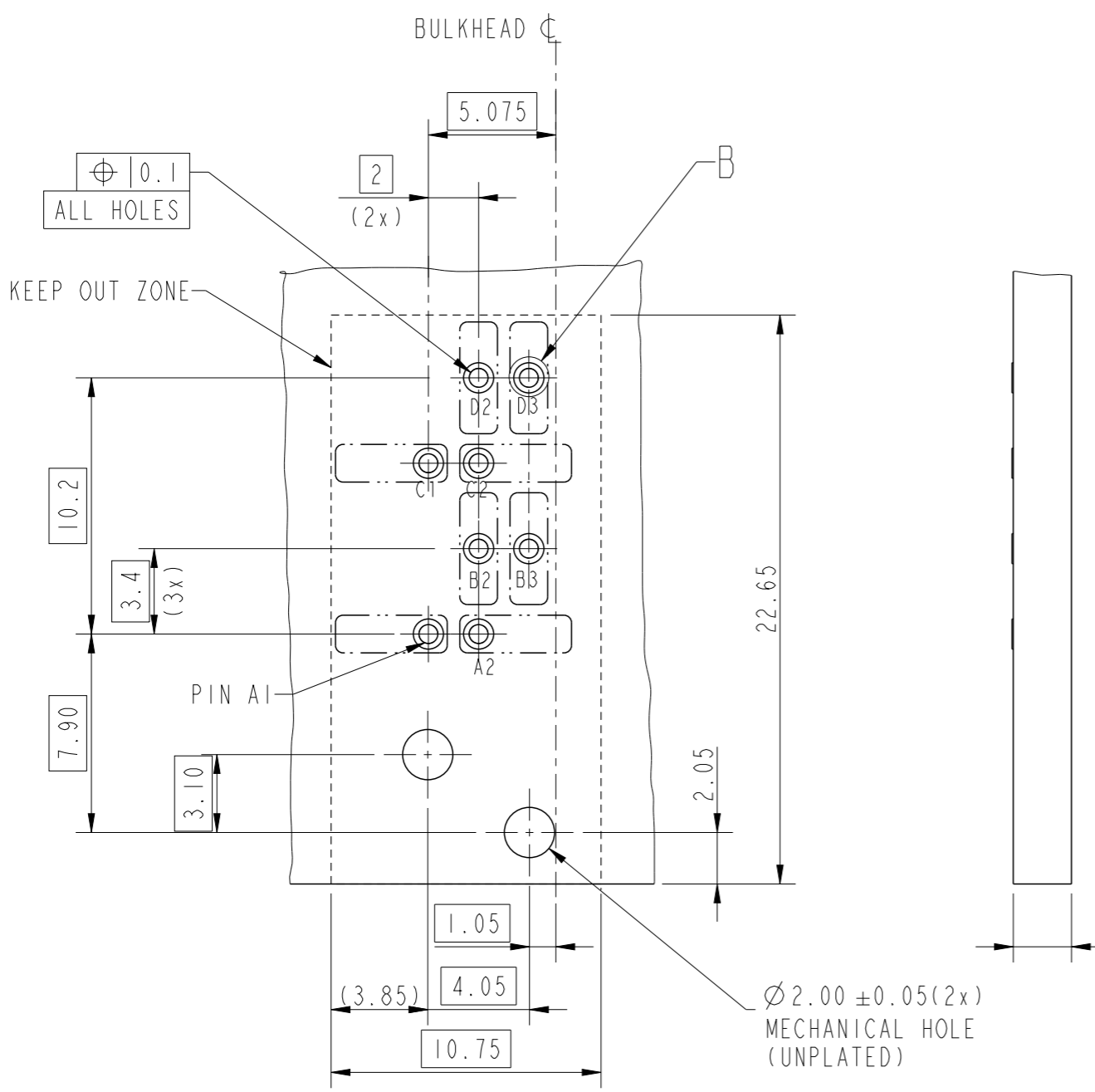
SECTION X-X

AFCI PART NO	ROW	COLUMN 1	COLUMN 2	COLUMN 3
10133085-101LF	D	-	x	x
	C	x	x	-
	B	-	x	x
	A	x	x	-
10133085-102LF	D	x	x	x
	C	x	x	-
	B	x	x	x
	A	x	x	-
10133085-103LF	D	x	x	x
	C	x	x	x
	B	x	x	x
	A	x	x	x
10133085-104LF	D	x	x	NO IMLA
	C	-	-	
	B	x	x	
	A	-	-	

"X"-CONTACTS LOADED POSITION

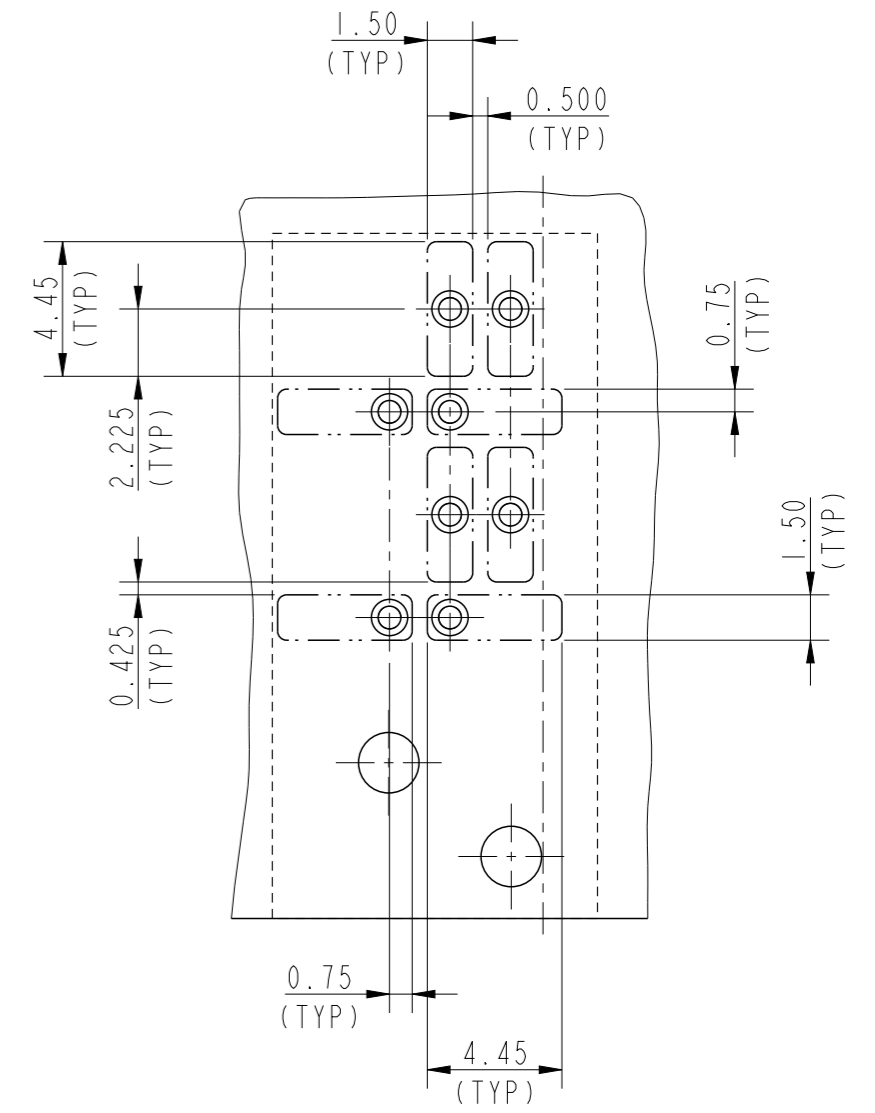
spec ref	-	dr	Alosius, Stali	2015/09/24	projection	mm	size	A3	scale	2:1
tolerance std	ISO 406 ISO 1101	eng	Alosius, Stali	2019/08/08			ecn no	ELX-I-34485-1	rel level	Released
TOLERANCES UNLESS OTHERWISE SPECIFIED		chr	-	apppr						
surface	linear	0.X	±0.3	Amphenol FCI	METRAL HDXS SIGNAL OCTIS RA BC		dwg no	10133085	rev	G
		0.XX	±0.10		PIP TERMINATION					
	angular	0.0XX	±0.050		cat. no.	-				

VIEW FROM COMPONENT SIDE P/N 10133085-101LF



P/N 10133085-101LF
(8 POS. SIGNAL)

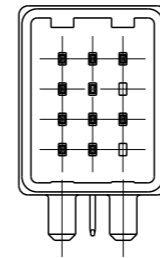
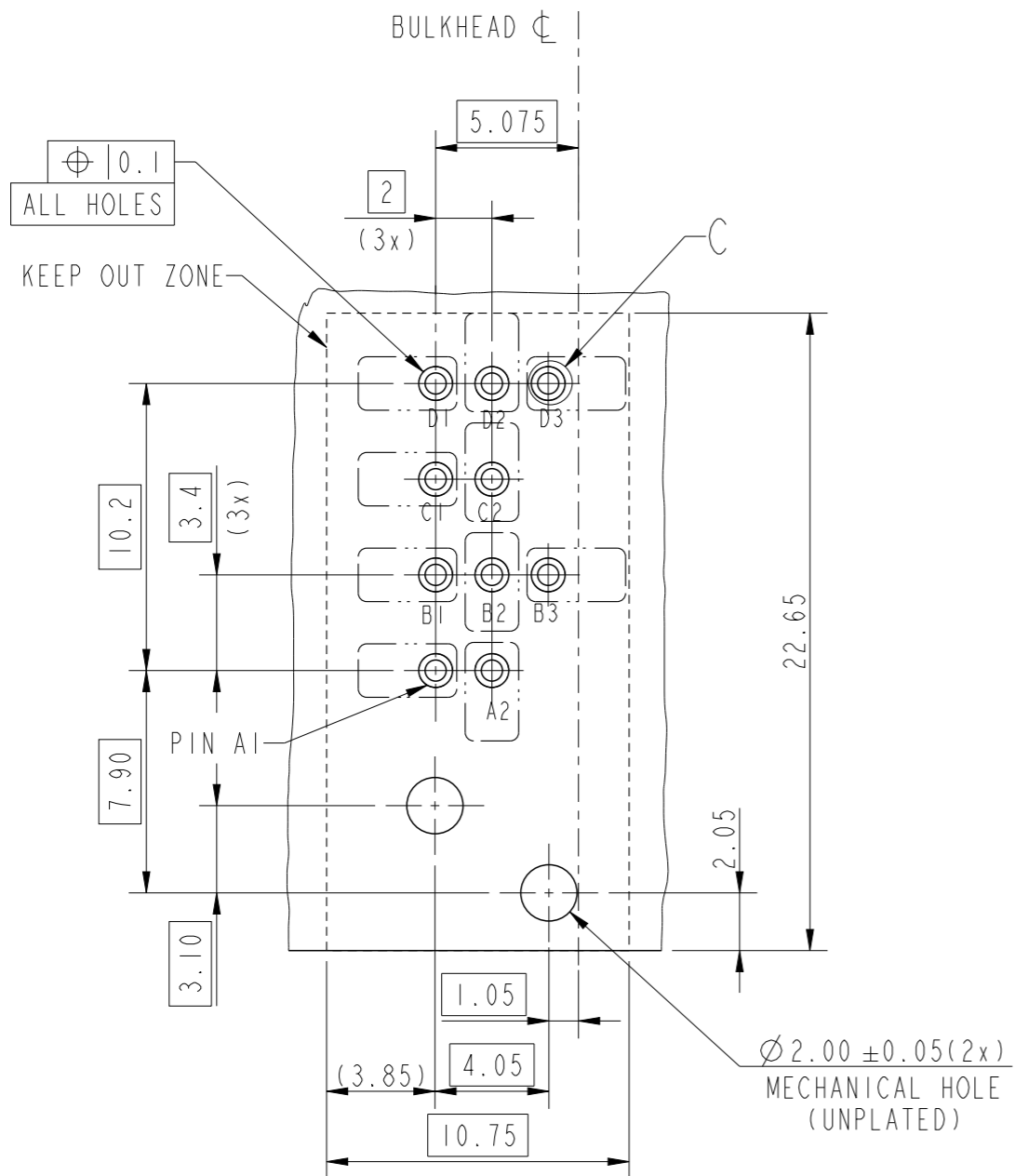
SOLDER PAD DIMENSIONS



SIGNAL PTH DETAILS	
DRILLED HOLE	0.82-0.87mm
COPPER PLATING	25-50µm
TIN PLATING	0.8-1.2µm
FINISHED HOLE DIA	0.70-0.80mm

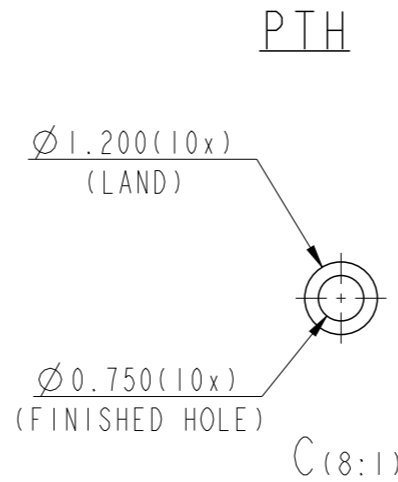
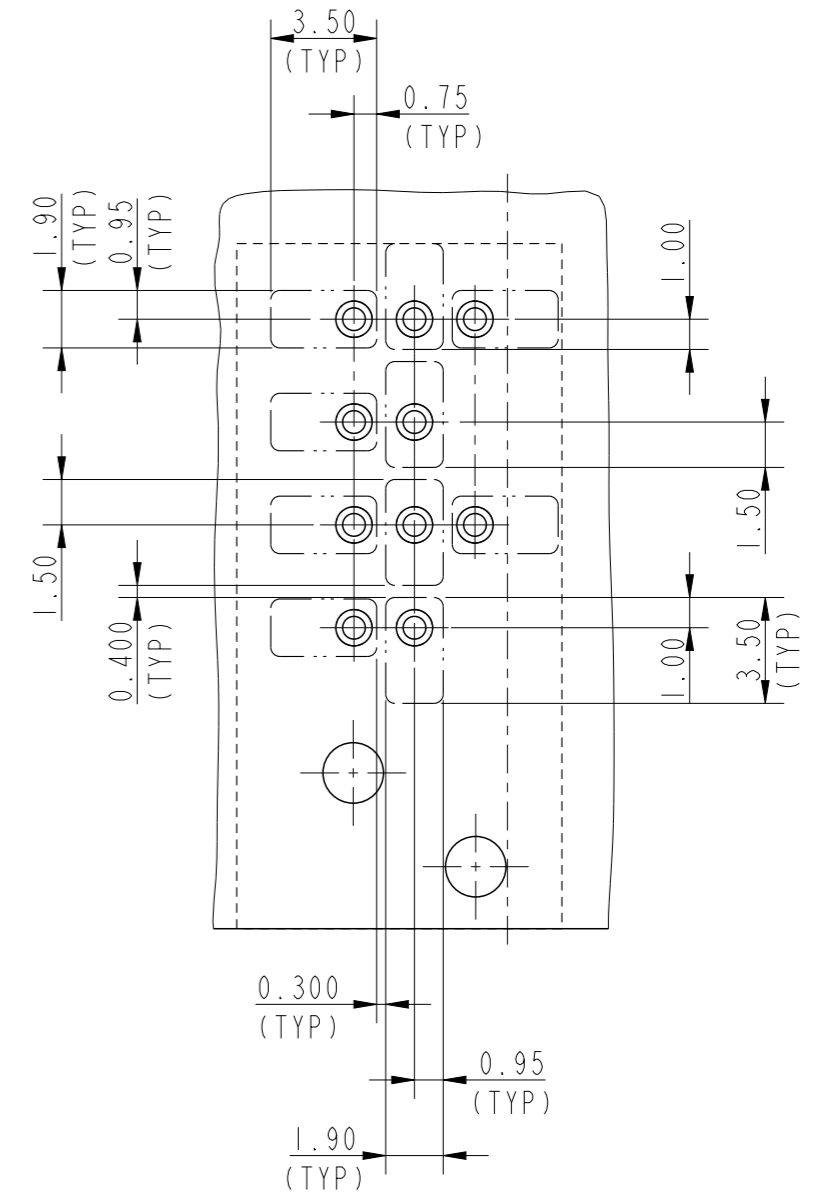
spec ref	-	dr	Alosius, Stali	2015/09/24	projection	mm	size	A3	scale	1:1
tolerance std	ISO 406 ISO 1101	eng	Alosius, Stali	2019/08/08			ecn no	ELX-1-34485-1	rel level	Released
TOLERANCES UNLESS OTHERWISE SPECIFIED		chr	-	-						
surface	linear	0.X	±0.3		METRAL HDXS SIGNAL OCTIS RA BC		dwg no	10133085	rev	G
		0.XX	±0.10		PIP TERMINATION					
	angular	0°	±2°		cat. no.	-				

VIEW FROM COMPONENT SIDE P/N 10133085-102LF



P/N 10133085-102LF
(10 POS. SIGNAL)

SOLDER PAD DIMENSIONS



1.6~2.4($\pm 10\%$)
(PCB THICKNESS)

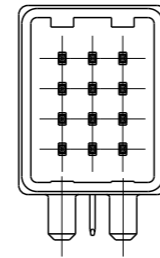
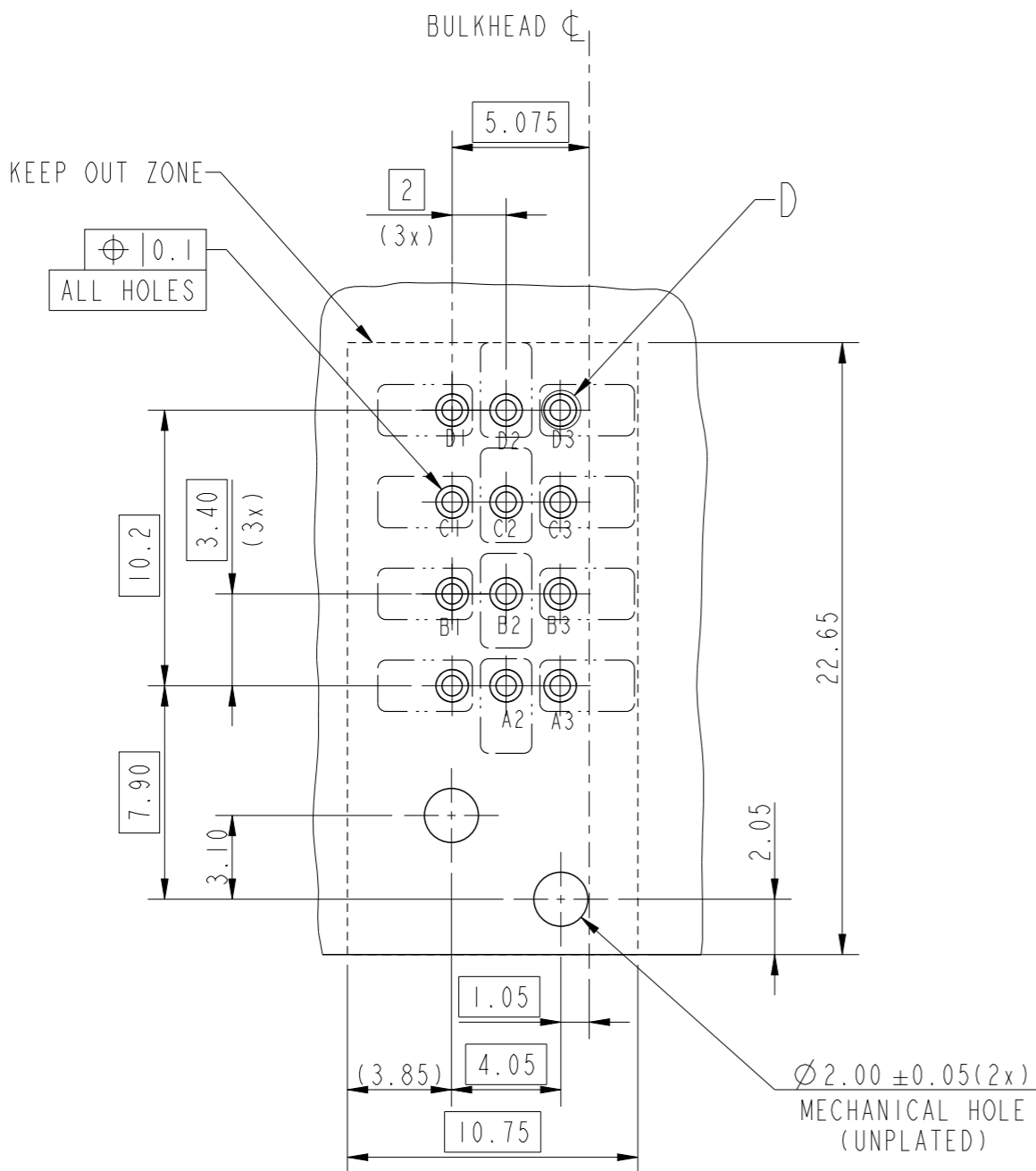
Amphenol
FCi

© 2016 AFCI

SIGNAL PTH DETAILS	
DRILLED HOLE	0.82-0.87mm
COPPER PLATING	25-50 μ m
TIN PLATING	0.8-1.2 μ m
FINISHED HOLE DIA	0.70-0.80mm

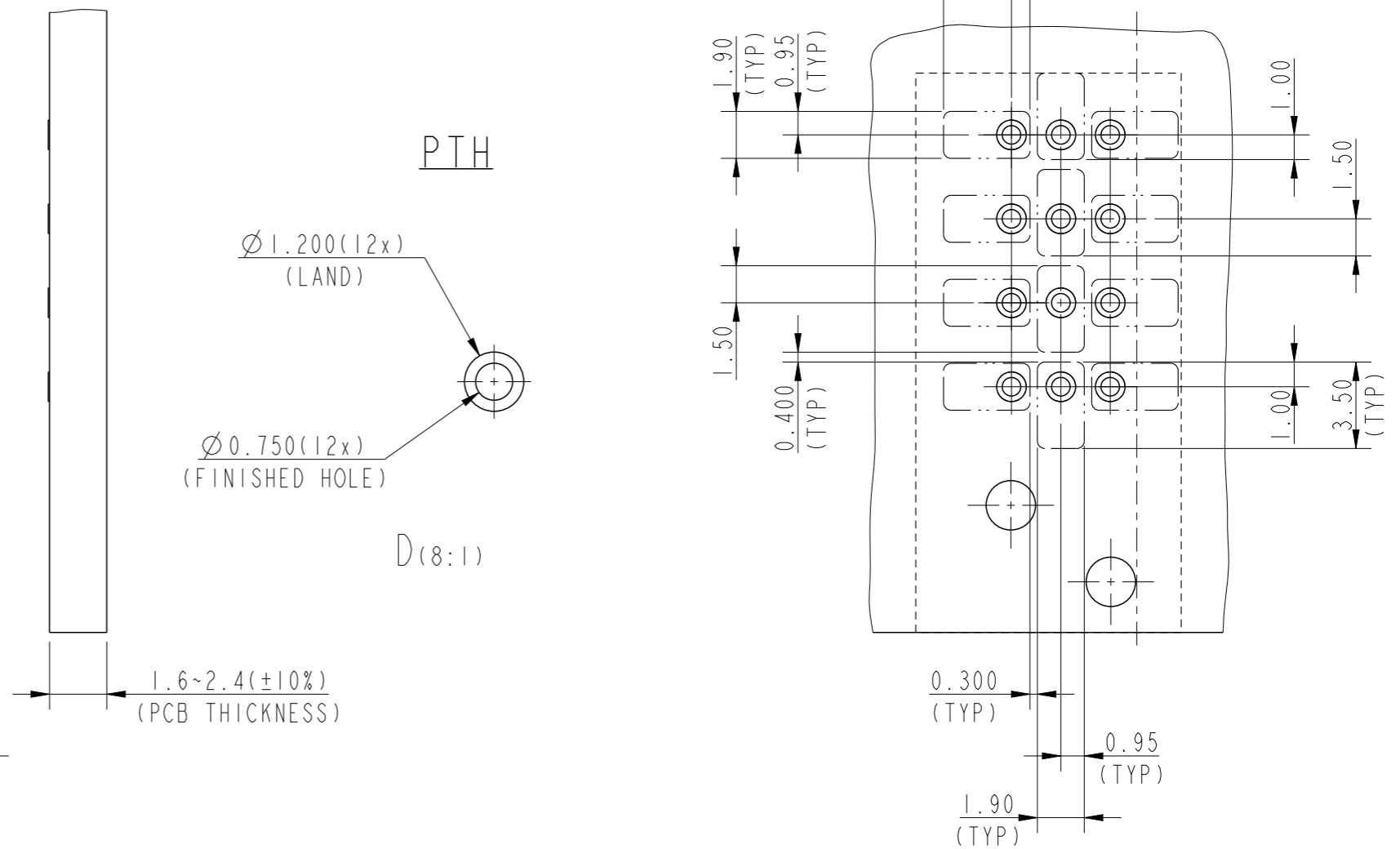
spec ref	-	dr	Alosius, Stali	2015/09/24	projection	mm	size	A3	scale	1:1
tolerance std	ISO 406 ISO 1101	eng	Alosius, Stali	2019/08/08			ecn no	ELX-I-34485-1	rel level	Released
TOLERANCES UNLESS OTHERWISE SPECIFIED		chr	-	-						
surface	linear	0.X	± 0.3		METRAL HDXS SIGNAL OCTIS RA BC		dwg no	10133085	rev	G
		0.XX	± 0.10		PIP TERMINATION					
	angular	0.XXX	± 0.050		cat. no.	Product - Customer Drw				
ISO 1302		0°	$\pm 2^\circ$							

VIEW FROM COMPONENT SIDE P/N 10133085-103LF



P/N 10133085-103LF
(12 POS. SIGNAL)

SOLDER PAD DIMENSIONS



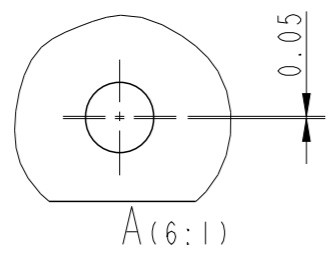
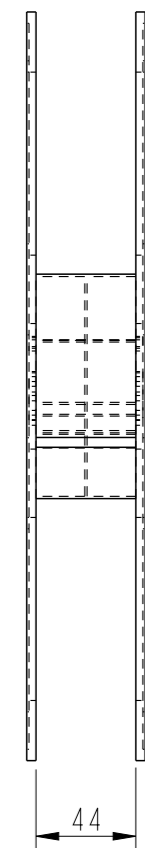
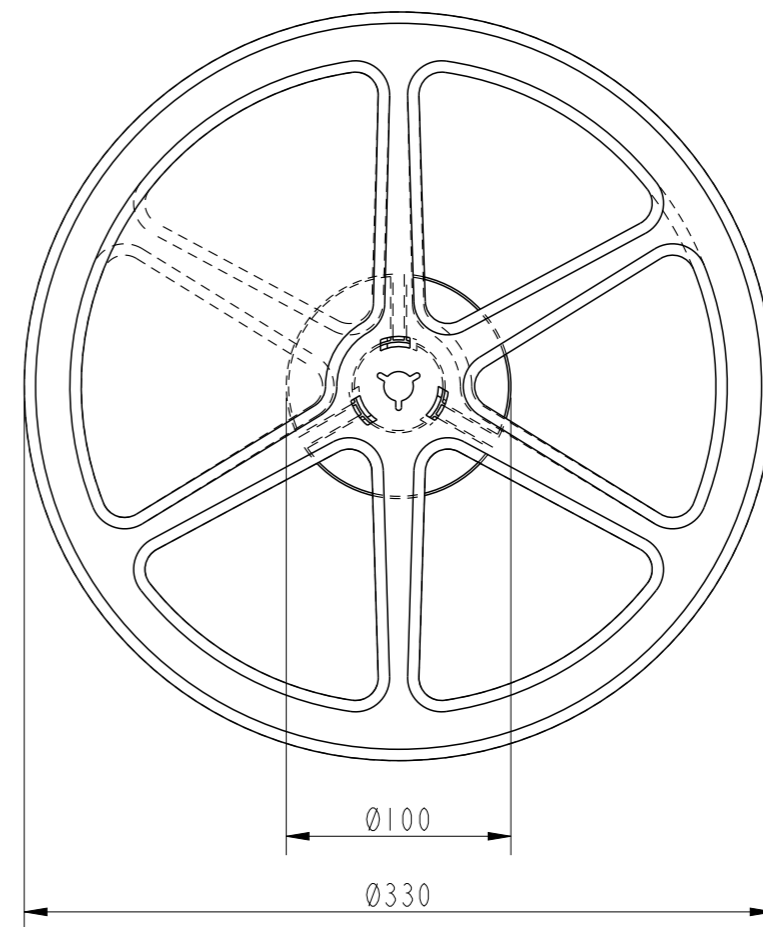
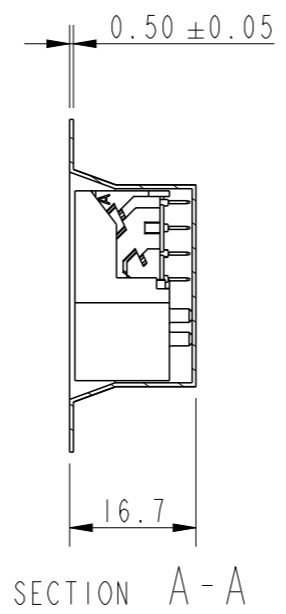
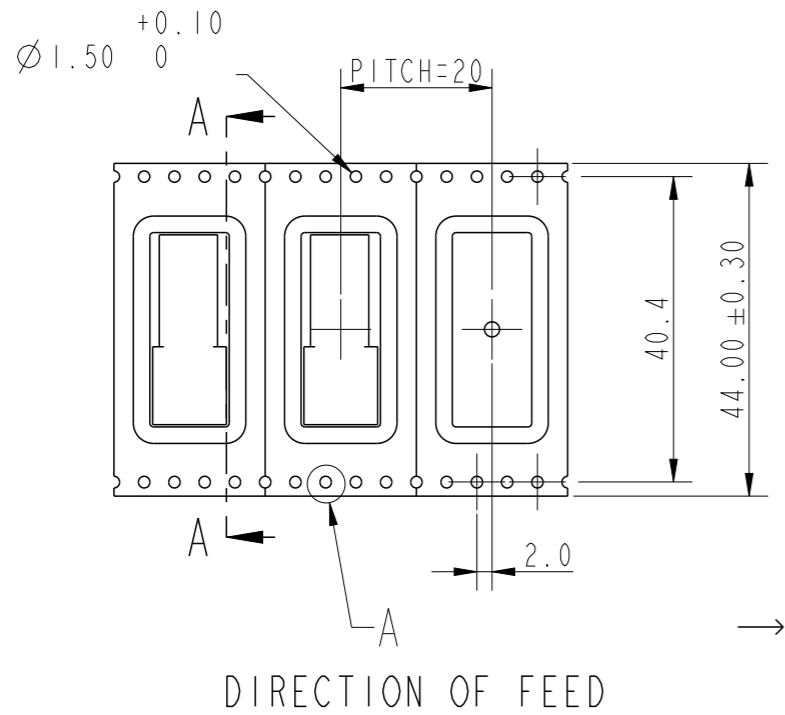
Amphenol
FCi

© 2016 AFCI

SIGNAL PTH DETAILS	
DRILLED HOLE	0.82-0.87mm
COPPER PLATING	25-50 μ m
TIN PLATING	0.8-1.2 μ m
FINISHED HOLE DIA	0.70-0.80mm

spec ref	-	dr	Alosius, Stali	2015/09/24	projection	mm	size	A3	scale	1:1
tolerance std	ISO 406 ISO 1101	eng	Alosius, Stali	2019/08/08			ecn no	ELX-I-34485-1	rel level	Released
TOLERANCES UNLESS OTHERWISE SPECIFIED		chr	-	-						
surface	linear	0.X	± 0.3		METRAL HDXS SIGNAL OCTIS RA BC		dwg no	10133085	rev	G
		0.XX	± 0.10		PIP TERMINATION					
	angular	0°	$\pm 2^\circ$		cat. no.	Product - Customer Drw				

PACKAGING SPECIFICATION



TAPE & REEL PACKING DETAILS

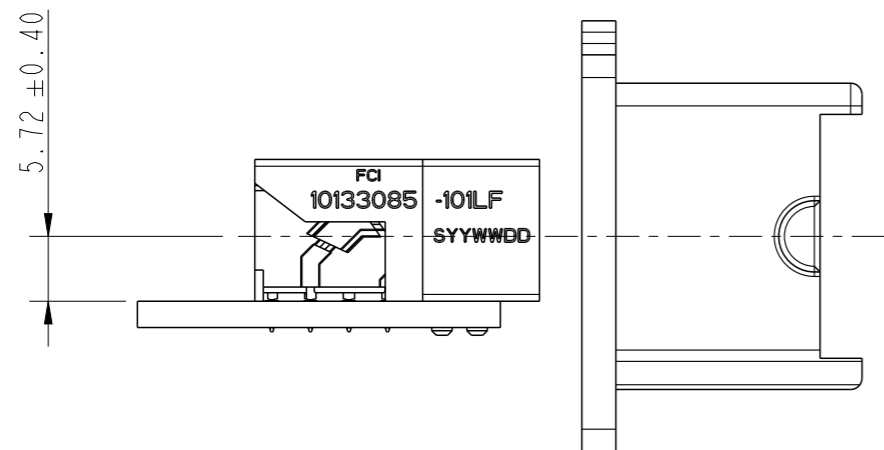
NOTES:

1. PACKAGING DETAILS AS PER EIA-481 STD.
2. PACKING SHOULD BE ANTISTATIC.
3. MATERIAL :
CARRIER TAPE : POLYSTYRENE
COVER TAPE : POLYSTYRENE

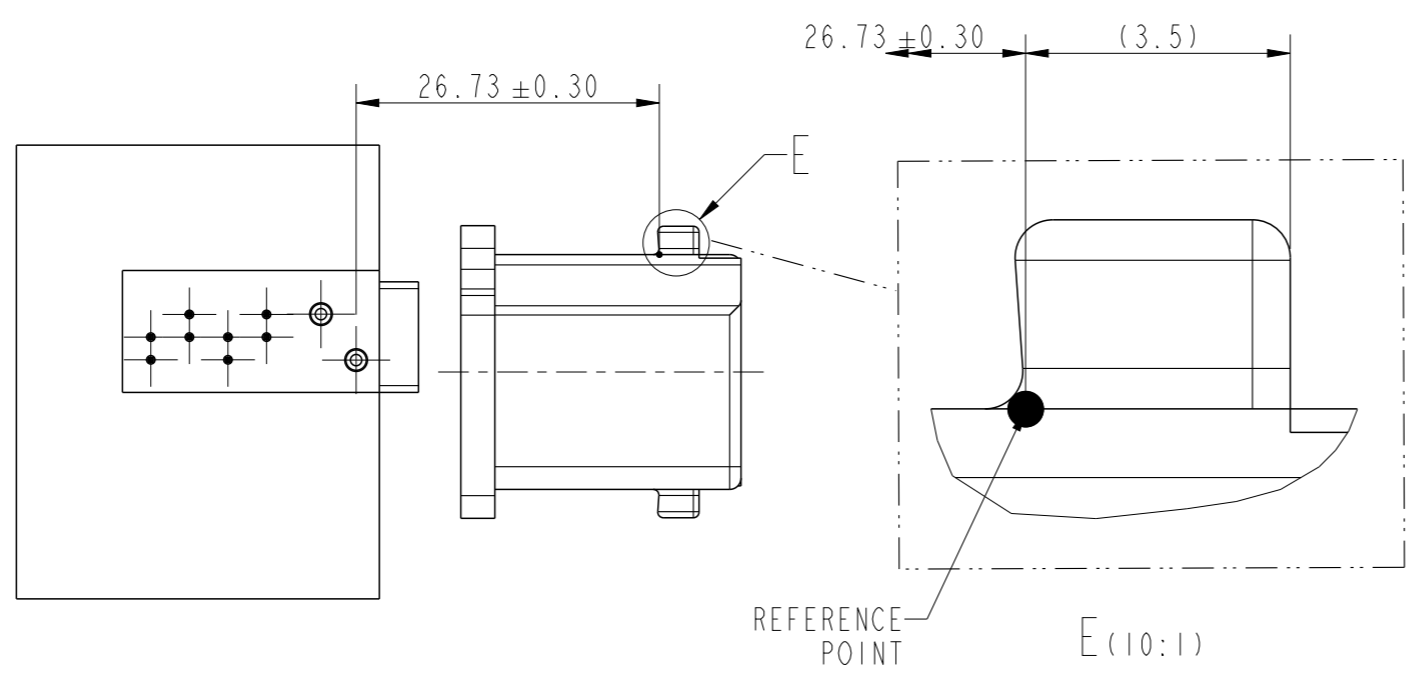
spec ref	-			dr	Alosius, Stali	2015/09/24	projection	mm	size	A3	scale	2:1
tolerance std	TOLERANCES UNLESS OTHERWISE SPECIFIED			eng	Alosius, Stali	2019/08/08			ecn no		ELX-I-34485-1	
ISO 406 ISO 1101				chr	-	product family			OCTIS	rel level		Released
surface	linear	0.X	± 0.3		METRAL HDXS SIGNAL OCTIS RA BC			dwg no	10133085		rev	G
		0.XX	± 0.10		PIP TERMINATION							
ISO 1302	angular	0°	$\pm 2^\circ$		cat. no.	Product - Customer Drw			sheet 5 of 6			

Amphenol FCI

© 2016 AFCI



SCALE 3:2



NOTES:

- 1: MATERIAL :
 - RESIN - LCP, GLASS FILLED, FLAME RETARDANT ACC
 FLAMMABILITY CLASIFICATION - UL94-V0
 -SIGNAL CONTACTS - COPPER ALLOY
2. PLATING :
 -GOLD OVER PALLADIUM NICKEL ON CONTACT AREA OF SIGNALS
 -PURE TIN AT TERMINAL AREA OF SIGNALS
3. PRODUCT SPECIFICATION: GS-12-1338
4. PACKAGING - TAPE & REEL
5. UNDER PLATING FOR CONTACTS - 1.27µm NICKEL.
6. PRODUCT WILL WITHSTAND EXPOSURE TO 260° FOR 60 SECONDS IN A CONVECTION, INFRA RED OR VAPOUR PHASE REFLOW OVEN
7. PRODUCT WHERE THE PARTNUMBER ENDS IN LF MEETS EUROPEAN DIRECTIVES AND OTHER COUNTRY REGULATIONS AS DESCRIBED IN GS-47-0004.
8. VIEWS SHOWN ON PAGE 1 & 6 ARE OF P/N 10133085-101LF

Amphenol FCI

© 2016 AFCI

spec ref -		dr	Alosius, Stali	2015/09/24	projection	mm	size	A3	scale	1:2	
tolerance std		eng	Alosius, Stali	2019/08/08			ecn no		ELX-I-34485-1		
ISO 406 ISO 1101		chr	-	-			rel level		Released		
TOLERANCES UNLESS OTHERWISE SPECIFIED		appr	Varma Sudhir	2019/08/08	product family		METRAL HDXS SIGNAL OCTIS RA BC		dwg no	10133085	
surface	linear	0.X	±0.3	Amphenol FCI	PIP TERMINATION		cat. no.	Product - Customer Drw		rev	G
		0.XX	±0.10		sheet 6 of 6						
	0.XXX	±0.050									
ISO 1302	angular	0°	±2°								