

PLEASE CHECK WWW.MOLEX.COM FOR LATEST PART INFORMATION

Part Number: [0879700001](#)
Status: **Active**
Overview: Serial Attached SCSI (SAS) Connectors
Description: 1.27mm Signal Pitch, 0.80mm SCSI Pitch, 1.27mm Power Pitch SAS-2 Receptacle, Vertical, Through Hole, with Straight Solder Tab, 29 Circuits, Lead-Free

Documents:

3D Model	Product Specification PS-87970-003-001 (PDF)
3D Model (PDF)	Packaging Specification PK-87970-001-001 (PDF)
Drawing (PDF)	RoHS Certificate of Compliance (PDF)

Agency Certification

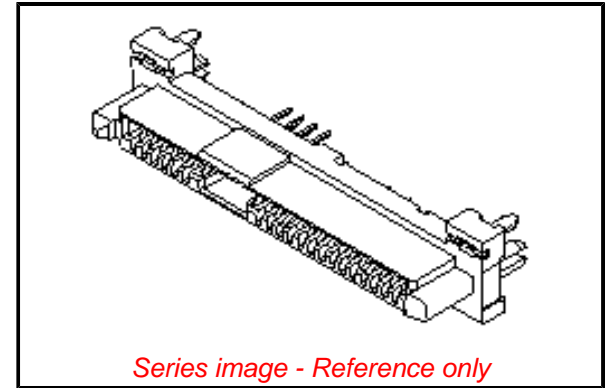
CSA	LR19980
UL	E29179

General

Product Family	I/O Connectors
Series	87970
Application	Board-to-Board
Comments	No pick and place cap
Component Type	Receptacle
Overview	Serial Attached SCSI (SAS) Connectors
Product Name	SAS 6G, SAS-2
Type	N/A
UPC	822348803477

Physical

Boot Color	N/A
Circuits (Loaded)	29
Circuits (maximum)	29
Circuits Detail	Signal 14, Power 15
Color - Resin	Black
Durability (mating cycles max)	500
Flammability	94V-0
Gender	Female
Keying to Mating Part	Yes
Lock to Mating Part	None
Material - Metal	Phosphor Bronze
Material - Plating Mating	Gold
Material - Plating Termination	Tin
Material - Resin	High Temperature Thermoplastic
Net Weight	1.690/g
Number of Rows	2
Orientation	Vertical
PC Tail Length	2.20mm, 2.70mm
PCB Locator	Yes
PCB Retention	Yes
PCB Thickness - Recommended	1.80mm
Packaging Type	Tray
Panel Mount	Yes
Pitch - Mating Interface	0.80mm, 1.27mm
Pitch - Termination Interface	0.80mm, 1.27mm
Plating min - Mating	0.762µm
Plating min - Termination	2.540µm
Polarized to Mating Part	Yes
Polarized to PCB	Yes
Surface Mount Compatible (SMC)	Yes



EU ELV

Not Relevant

EU RoHS

Compliant

REACH SVHC

Contained Per -
D(2021)4569-DC (8
July 2021)
Ammonium-
pentadecafluorooctanoate
C.I. Direct Black 38
Ammonium-
pentadecafluorooctanoate
2,4-Di-tert-butyl-6-(5-
chlorobenzotriazol-2-
yl)p
C.I. Direct Black 38
1,3-Propanesultone
Dibutyltin-dichloride
2,4-Di-tert-butyl-6-(5-
chlorobenzotriazol-2-
yl)p
Disodium-octaborate
Dibutylbis(pentane-2,4-
dionato-O,O')tin
2-(2H-Benzotriazol-2-
yl)-4,6-
ditertpentylphenol
Terphenyl,
hydrogenated
Dipentyl phthalate
bis(2-(2-
methoxyethoxy)ethyl)
ether
Benzo(ghi)perylene
Octanoic acid,
2,2,3,3,4,4,5,5,6,6,7,7,8,8,8-
pen
Dodecamethylcyclohexasiloxane
Decamethylcyclopentasiloxane
Octamethylcyclotetrasiloxane
1,2-diethoxyethane
Dibutyltin-dichloride

China RoHS

Temperature Range - Operating	0° to +55°C
Termination Interface: Style	Through Hole
Waterproof / Dustproof	No
Wire Size AWG	N/A
Electrical	
Current - Maximum per Contact	1.5A
Shielded	No
Voltage - Maximum	30V
Solder Process Data	
Duration at Max. Process Temperature (seconds)	010
Lead-free Process Capability	SMC&WAVE
Max. Cycles at Max. Process Temperature	001
Process Temperature max. C	260
Material Info	
Reference - Drawing Numbers	
Packaging Specification	PK-87970-001-001
Product Specification	PS-87970-003-001
Sales Drawing	SD-87970-001-001

Tris(4-nonylphenyl, branched and linear) phosphi
 Perfluorobutane sulfonic acid (PFBS) and its sal
 Fluoranthene
 Pyrene
 Dioctyltin dilaurate, stannane, dioctyl-, bis(co
 Perfluorononan-1-oic acid
 (2,2,3,3,4,4,5,5,6,6,7 Methylhexahydrophthalic anhydride
 reaction mass of 2-ethylhexyl 10-ethyl-4,4-dioct Perfluorohexane-1-sulphonic acid and its salts
 1,2-Benzenedicarboxylic acid, dihexyl ester, bra
 diisohexyl phthalate
 1,2-Benzenedicarboxylic acid, dipentyl ester, br
 n-pentyl-isopentylphthalate
 Boric acid
 Aluminosilicate
 Refractory Ceramic
 Fibres
 Zirconia
 Aluminosilicate
 Refractory Ceramic
 Fibr
 Nonadecafluorodecanoic acid (PFDA) and its sodiu
 Tris(4-nonylphenyl, branched and linear) phosphi
 1,2-bis(2-methoxyethoxy)ethane
 Decabromodiphenylether
 Cadmium-oxide
 Cadmium-sulphide
 Lead
 Cadmium
 pyrochlore, antimony
 lead yellow
 Lead-dinitrate
 Lead oxide sulfate (Pb2O(SO4))
 Lead chromate
 Tris(2-chloroethyl) phosphate
 Boric acid, disodium salt, hydrate
 Strontium-chromate

1,2-
Benzenedicarboxylic
acid, di-C7-11-
branched
bis(2-methoxyethyl)
ether
1,2-
Benzenedicarboxylic
acid, bis(2-
methoxyethyl
1,2-Dimethoxyethane
1,2-bis(2-
methoxyethoxy)ethane
Sulfurous Acid, Lead
Salt, Dibasic
Silicic acid (H₂Si₂O₅),
barium salt (1:1),
lead-
[Phthalato(2-)]dioxotrilead
Fatty Acids, C16-18,
Lead Salts
N,N-
Dimethylformamide
Dicyclohexyl-
phthalate
Dihexyl-phthalate
Phenanthrene
Imidazolidine-2-thione
Lead-titanium-trioxide
Pentalead-tetraoxide-
sulphate
Trilead-dioxide-
phosphonate
Tetralead-trioxide-
sulphate
Dioxobis(stearato)trilead
Lead titanium
zirconium oxide
Cyanamide, lead(2+)
salt (1:1)
Cadmium Hydroxide
Sulfurous Acid, Lead
Salt, Dibasic

Halogen-Free

Status

Low-Halogen

For more information, please visit [Contact US](#)

China ROHS	Green Image
ELV	Not Relevant
RoHS Phthalates	Not Contained

Search Parts in this Series

[87970 Series](#)

Mates With

[87679](#) , [87799](#) , [87703](#) , SFF 8482 Hard
Disk Drive and Backplane Plug

This document was generated on 08/30/2021

PLEASE CHECK WWW.MOLEX.COM FOR LATEST PART INFORMATION