

THE INFORMATION CONTAINED HEREIN IS CONSIDERED 'PROPRIETARY' TO BEL FUSE INC. AND SHALL NOT BE COPIED, REPRODUCED OR DISCLOSED WITHOUT THE WRITTEN APPROVAL OF BEL FUSE INC.

LED1 POLARITY		LED2 POLARITY	
PIN 13	PIN 14	PIN 15	PIN 16
-	+	-	+
GREEN	GREEN		GREEN

ELECTRICAL CHARACTERISTICS @ 25°C

TURNS RATIO

- TP1 1CT : 1CT ±2%
- TP2 1CT : 1CT ±2%
- TP3 1CT : 1CT ±2%
- TP4 1CT : 1CT ±2%

DCL @ 100kHz/100mVRMS

8mA DC BIAS
350µH MIN.

INS. LOSS

- 0.1MHZ TO 1MHZ -1.1 dB MAX
- 1MHZ TO 65MHZ -0.5 dB MAX
- 65MHZ TO 100MHZ -0.8 dB MAX
- 100MHZ TO 125MHZ -1.2 dB MAX

RET. LOSS (MIN)

- 0.5MHZ-40MHZ -18 dB
- 40MHZ-100MHZ -12+20LOG(f/80MHZ) dB

CROSS TALK

- 100kHz - 100MHZ -33+20LOG(f/100MHZ)dB MIN
- CM TO CM REJ 100kHz - 100MHZ -30 dB MIN
- CM TO DM REJ 100kHz - 100MHZ -35 dB MIN

CM TO DM REJ

- 100kHz - 100MHZ 1500 Vrms or 2250 VDC

**HIPOT (Isolation Voltage):
LED 1 & 2**

- VF (FORWARD VOLTAGE) IF=20mA GREEN 2.2V TYP.
- λD (DOMINANT WAVELENGTH) IF=20mA GREEN 565nm TYP.

USB ELECTRICAL:

- INSULATION RESISTANCE: 1000 MEGA Ω (MIN)
- CONTACT RESISTANCE: 25 MILLIΩ (MAX)
- DIELECTRIC WITHSTANDING: 750 VAC

ORIGINATED BY DATE

CHOW WANGCHUNG 06-04-11

DRAWN BY DATE

TAN QIGUANG 06-04-11

TITLE

gigabit MagJack® Combo
(single USB, 8 cores)
0821-1G1T-43-F
PATENTED

PART NO. / DRAWING NO.

08211G1T43-F

FILE NAME

08211G1T43-F_B.DWG

STANDARD DIM.

TOL. IN INCH

.X

.XX

.XXX

[] METRIC DIM. AS REFERENCE

UNIT : INCH [mm]

REV. : B

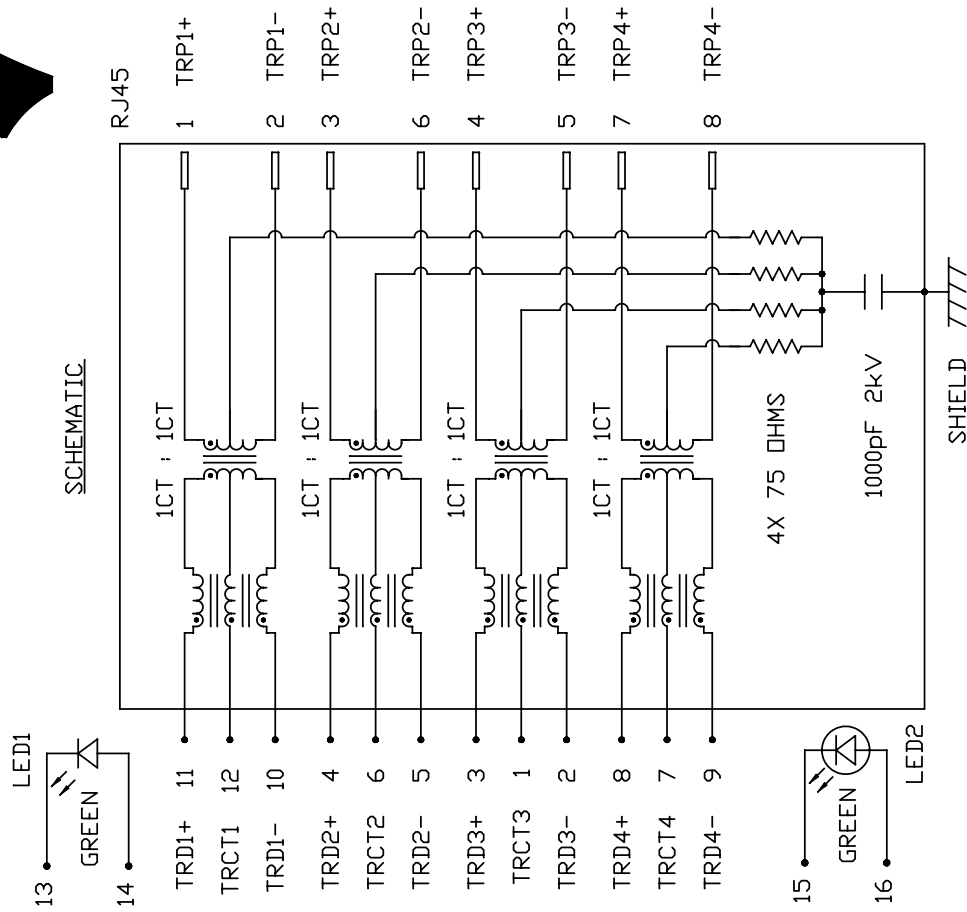
SCALE : N/A

SIZE : A4

PAGE : 2



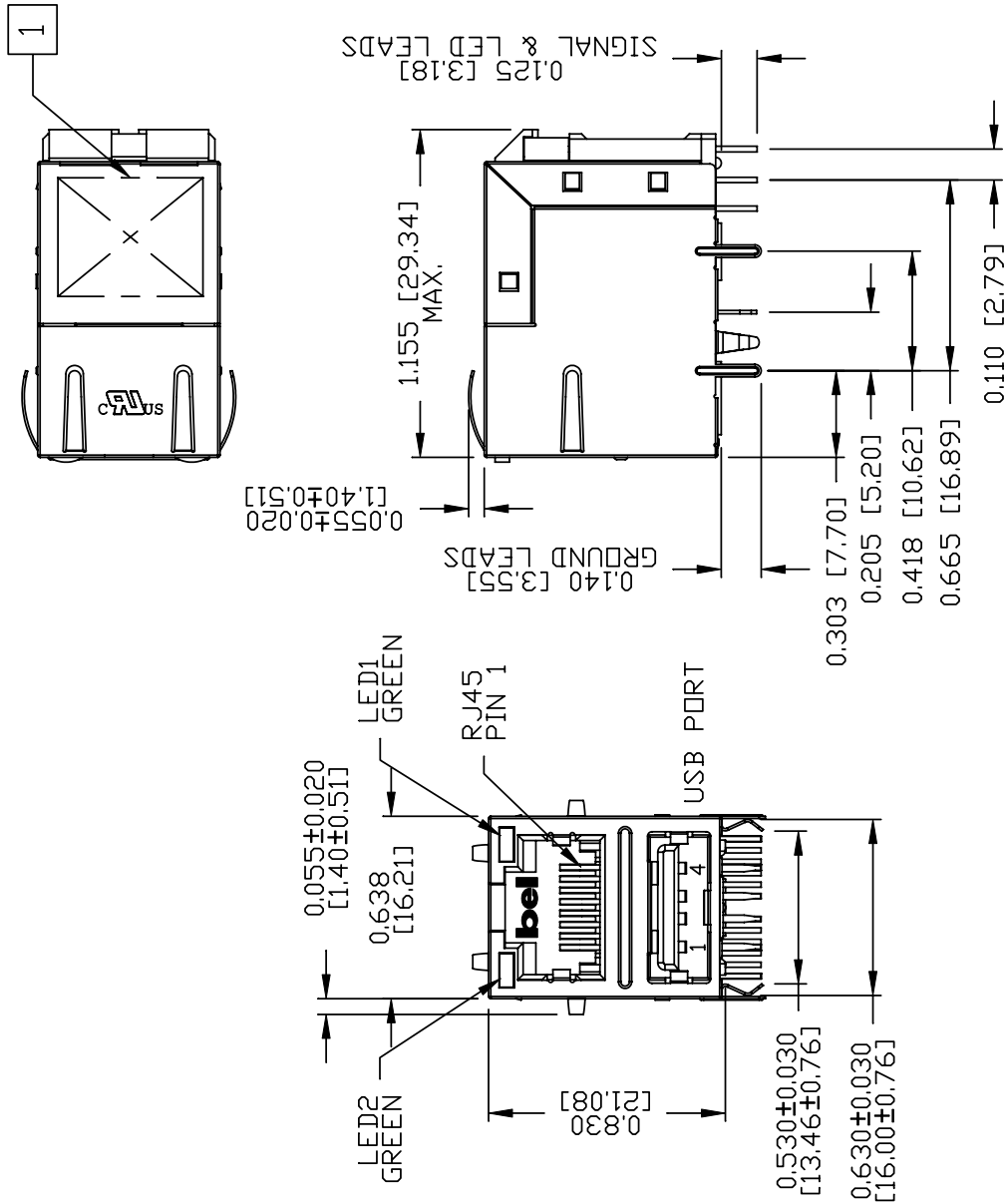
SCHEMATIC



THE INFORMATION CONTAINED HEREIN IS CONSIDERED "PROPRIETARY" TO BEL FUSE INC. AND SHALL NOT BE COPIED, REPRODUCED OR DISCLOSED WITHOUT THE WRITTEN APPROVAL OF BEL FUSE INC.



MECHANICAL SPECIFICATION



RJ45 MECHANICAL:

PLASTIC HOUSING: THERMOPLASTIC PBT
 FLAMMABILITY RATING UL 94V-0
 CONTACT PLATING: 30 MICRO-INCH HARD GOLD PLATING
 PINS: TIN-COATED COPPER WIRE,
 DIA 0.018 INCH.

METAL SHIELD: NICKEL PLATED ON COPPER ALLOY.
 (ALL GROUND LEADS ARE SOLDER
 DIPPED)

1. MARK PART WITH MFG LOGO, MFG NAME, PART
 NUMBER, DATE CODE AND PATENTED.

USB MECHANICAL:

MATING FORCE: 35 NEWTONS MAXIMUM
 UNMATING FORCE: 10 NEWTONS MINIMUM
 CONTACT: PROSPHER BRONZE
 30 MICRO-INCH MIN GOLD PLATING
 ON CONTACT AREA AND LEAD-FREE
 TIN ON SOLDER TAIL.

RoHS COMPLAINT, PER EU DIRECTIVE 2002/95/EC.



2. THE PRODUCT IS PATENTED, THE PATENT NUMBER ARE
 U.S. PAT. 5,736,910 AND U.S. PAT. 7,123,117.

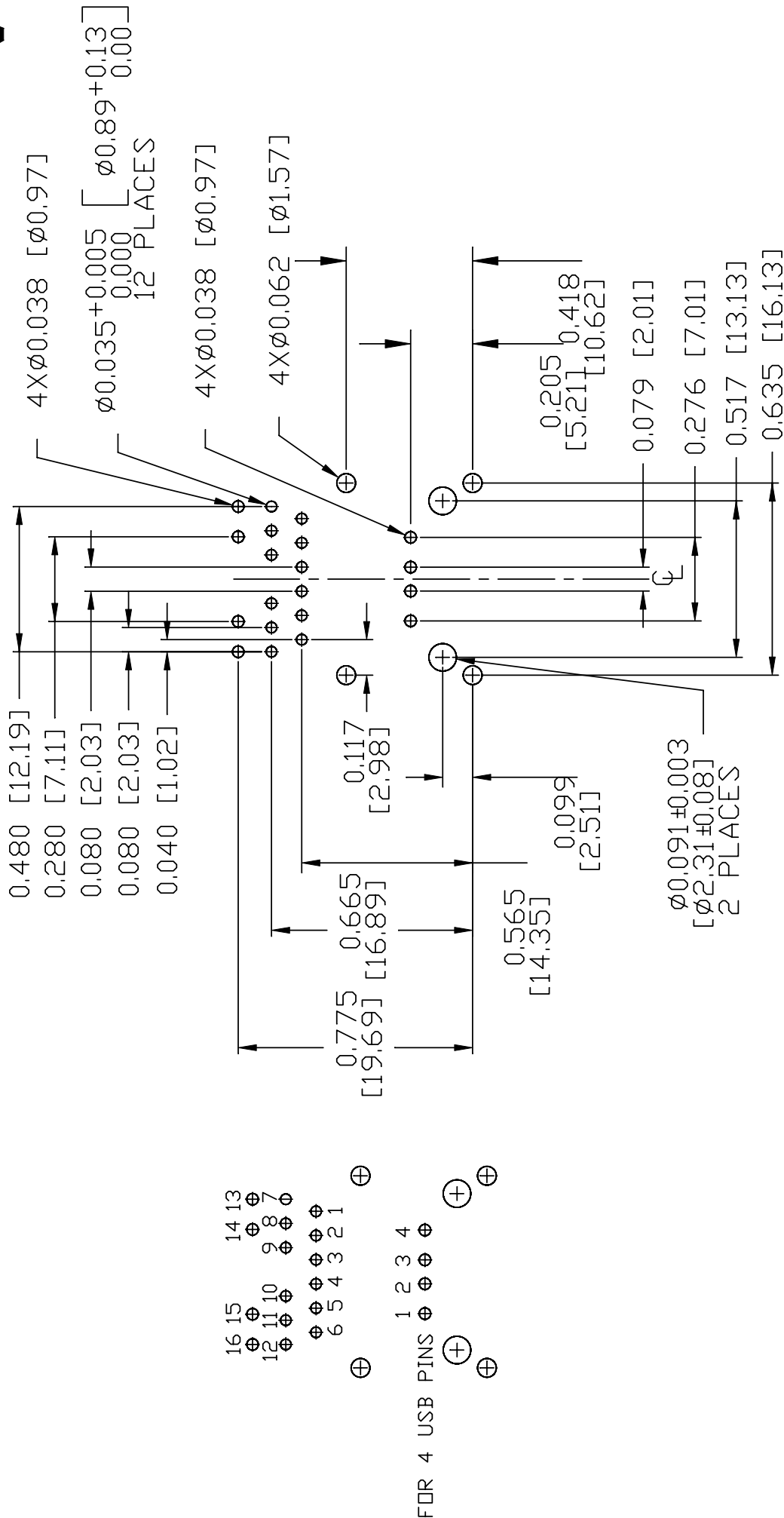
ORIGINATED BY CHEN BILL	DATE 06-04-11	TITLE gigabit MagJack® Combo (single USB, 8 cores) 0821-1G1T-43-F PATENTED	PART NO. / DRAWING NO. 08211G1T43-F	STANDARD DIM. TOL. IN INCH .X .XX .XXX	[] METRIC DIM. AS REFERENCE		
	DRAWN BY HE ZHEN				DATE 06-04-11	UNIT : INCH [mm] SCALE : N/A REV. : B SIZE : A4 PAGE : 3	

This document is electronically generated. This is a controlled copy if used internally

THE INFORMATION CONTAINED HEREIN IS CONSIDERED 'PROPRIETARY' TO BEL FUSE INC. AND SHALL NOT BE COPIED, REPRODUCED OR DISCLOSED WITHOUT THE WRITTEN APPROVAL OF BEL FUSE INC.



RECOMMENDED PCB FOOTPRINT
COMPONENT SIDE VIEW



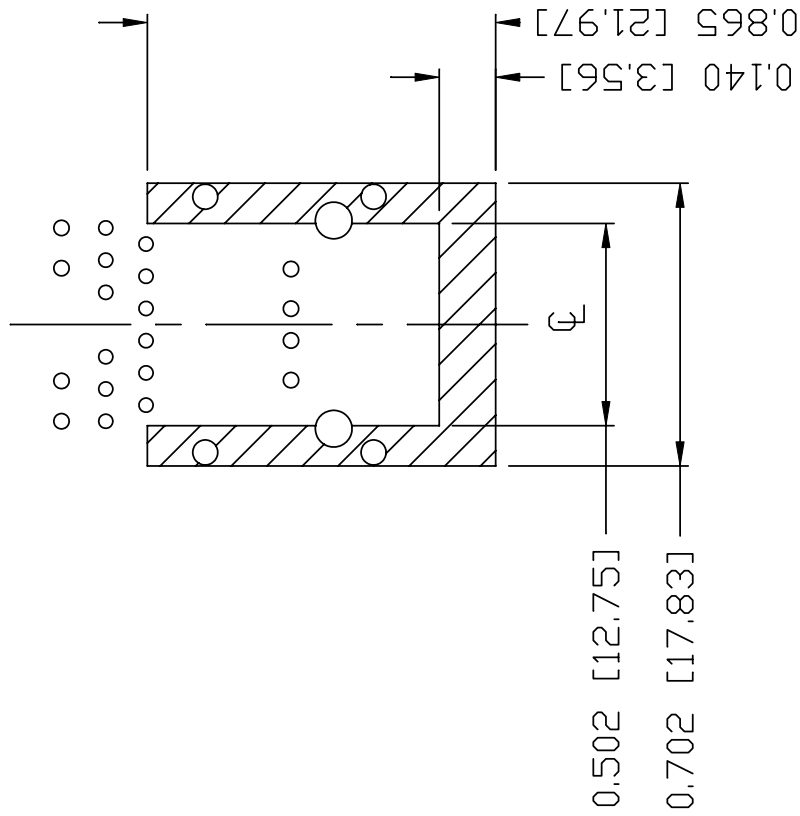
ORIGINATED BY CHEN BILL	DATE 06-04-11	TITLE gigabit MagJack® Combo (single USB, 8 cores) 0821-1G1T-43-F PATENTED	PART NO. / DRAWING NO. 0821G1T43-F	STANDARD DIM.	[] METRIC DIM. AS REFERENCE		
	DRAWN BY HE ZHEN			DATE 06-04-11	TOL. IN INCH .X .XX .XXX	UNIT : INCH [mm]	REV. : B

This document is electronically generated. This is a controlled copy if used internally

THE INFORMATION CONTAINED HEREIN IS CONSIDERED "PROPRIETARY" TO BEL FUSE INC. AND SHALL NOT BE COPIED, REPRODUCED OR DISCLOSED WITHOUT THE WRITTEN APPROVAL OF BEL FUSE INC.



RECOMMENDED PCB FOOTPRINT
COMPONENT SIDE VIEW



NOTES

THE SHADED AREA ON THE CUSTOMER BOARD ARE RECOMMENDED TO BE CLEAR OFF ANY VIA HOLE OR COMPONENT PAD.

ORIGINATED BY CHEN BILL DRAWN BY HE ZHEN	DATE 06-04-11	TITLE gigabit MagJack® Combo (single USB, 8 cores) 0821-1G1T-43-F PATENTED	PART NO. / DRAWING NO. 0821G1T43-F FILE NAME 0821G1T43-F_B.DWG	STANDARD DIM. TOL. IN INCH .X .XX .XXX ±0.004	[] METRIC DIM. AS REFERENCE		
	DATE 06-04-11				UNIT : INCH [mm] REV. : B	SCALE : N/A SIZE : A4 PAGE : 5	

This document is electronically generated. This is a controlled copy if used internally

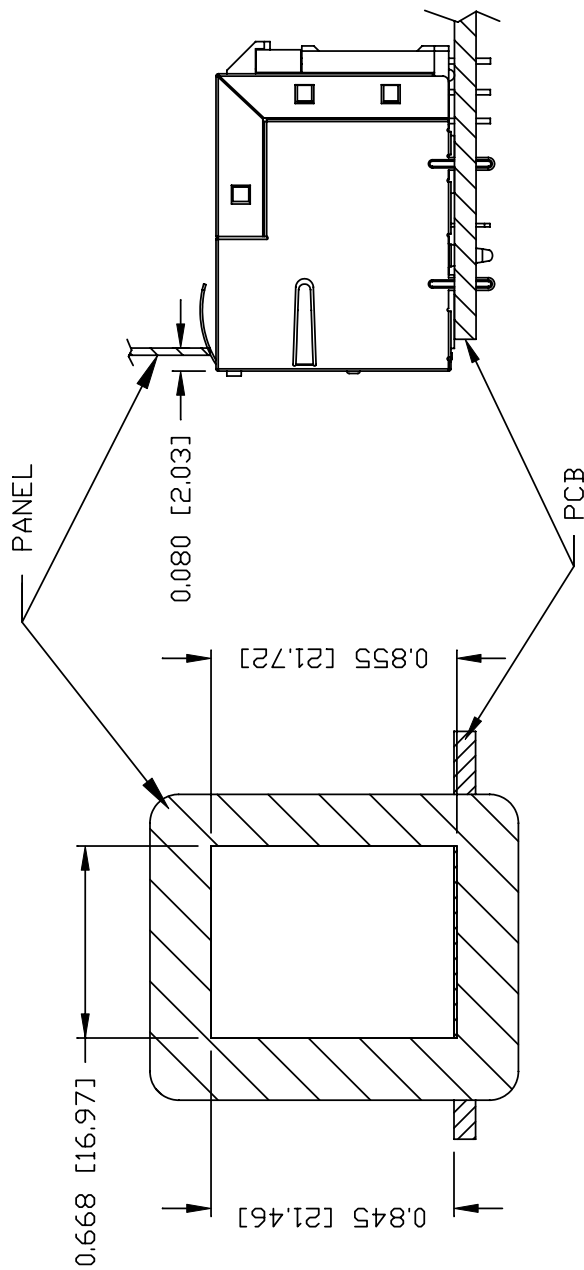


COMPONENTS OF A
PLANET

THE INFORMATION CONTAINED HEREIN IS CONSIDERED "PROPRIETARY" TO BEL FUSE INC. AND SHALL NOT BE COPIED, REPRODUCED OR DISCLOSED WITHOUT THE WRITTEN APPROVAL OF BEL FUSE INC.



SUGGESTED PANEL OPENING



NOTES:

THE DISTANCE OF PANEL INSIDE SURFACE RELATIVE TO FRONT SURFACE OF PART IS ONLY A SUGGESTION, IN CASE THIS DISTANCE IS DIFFERENT, THE REQUIRED PANEL OPENING DIMENSIONS CHANGE ACCORDINGLY.

PACKING INFORMATION

PACKING TRAY : 0200-0148-48 (TOP)
0200-0148-49 (BOTTOM)

PACKING QUANTITY : 60 PCS FINISHED GOODS PER TRAY
8 TRAYS (480 PCS FINISHED GOODS) PER CARTON BOX

NOTE : CARDBOARDS ARE PLACED BETWEEN LAYERS OF PACKING TRAY INSIDE CARTON BOX (INCLUDE THE UPPERMOST AND LOWERMOST TRAY)

ORIGINATED BY CHEN BILL	DATE 06-04-11	TITLE gigabit MagJack® Combo (single USB, 8 cores) 0821-1G1T-43-F PATENTED	PART NO. / DRAWING NO. 08211G1T43-F	STANDARD DIM. TOL. IN INCH .X .XX .XXX	[] METRIC DIM. AS REFERENCE		
	DATE 06-04-11				UNIT : INCH [mm]	REV. : B	SCALE : N/A
DRAWN BY HE ZHEN	DATE 06-04-11	FILE NAME 08211G1T43-F_B.DWG					

This document is electronically generated. This is a controlled copy if used internally

DC002(2)032305



COMPONENTS-OR-A
PLANNING