

**PLEASE CHECK WWW.MOLEX.COM FOR LATEST PART INFORMATION**

**Part Number:** [0051252014](#)  
**Status:** **Active**  
**Overview:** LFH™ Interconnect System  
**Description:** 1.27mm Pitch LFH™ Matrix 50 Receptacle Cable Kit, Terminal Stick, 15 Circuits

**Documents:**

[3D Model](#) [Product Specification PS-70928 \(PDF\)](#)  
[Drawing \(PDF\)](#) [RoHS Certificate of Compliance \(PDF\)](#)

**General**

Product Family I/O Connectors  
 Series 70985  
 Application Wire-to-Board  
 Comments Trim Length 3.30mm  
 Component Type Receptacle  
 Overview LFH™ Interconnect System  
 Product Name LFH™  
 Type N/A  
 UPC 800755013528

**Physical**

Circuits (Loaded) 15  
 Circuits (maximum) 15  
 Lock to Mating Part None  
 Material - Metal Beryllium Copper  
 Material - Plating Mating Gold  
 Material - Plating Termination Tin  
 Net Weight 0.860/g  
 Orientation Vertical  
 PCB Retention N/A  
 Packaging Type Tray  
 Panel Mount No  
 Pitch - Mating Interface 1.27mm  
 Pitch - Termination Interface 1.27mm  
 Plating min - Mating 0.762µm  
 Plating min - Termination 2.540µm  
 Polarized to Mating Part Yes  
 Surface Mount Compatible (SMC) N/A  
 Temperature Range - Operating -20°C to +80°C  
 Termination Interface: Style Surface Mount  
 Wire Size AWG 28, 30, 32, 34, 36

**Electrical**

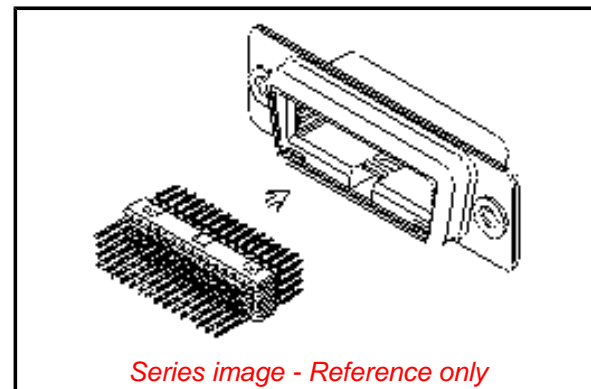
Current - Maximum per Contact 1.0A  
 Shielded Yes  
 Voltage - Maximum 40V

**Material Info**

Engineering Number 70985-1004

**Reference - Drawing Numbers**

Product Specification PS-70928, RPS-70928-002  
 Sales Drawing SDA-70985-100\*



Series image - Reference only

**EU ELV**

**Not Relevant**

**EU RoHS**

**Compliant**

**China RoHS**

**REACH SVHC**

Not Contained Per -  
 ED/21/2016 (20 June  
 2016)

**Halogen-Free**

**Status**

**Low-Halogen**

**Need more information on product  
 environmental compliance?**

Email [productcompliance@molex.com](mailto:productcompliance@molex.com)  
 Please visit the [Contact Us](#) section for any  
 non-product compliance questions.

China ROHS  
 ELV

Green Image  
 Not Relevant

**Search Parts in this Series**

[70985 Series](#)

**Mates With**

[70929](#)

**Application Tooling | FAQ**

*Tooling specifications and manuals are  
 found by selecting the products below.  
 Crimp Height Specifications are then  
 contained in the Application Tooling  
 Specification document.*

**Global**

**Description**

**Product #**

Terminal Stick  
 Insertion Tool For  
 LFH™ Series 71691  
 and 70985

[0622001600](#)

**PLEASE CHECK WWW.MOLEX.COM FOR LATEST PART INFORMATION**