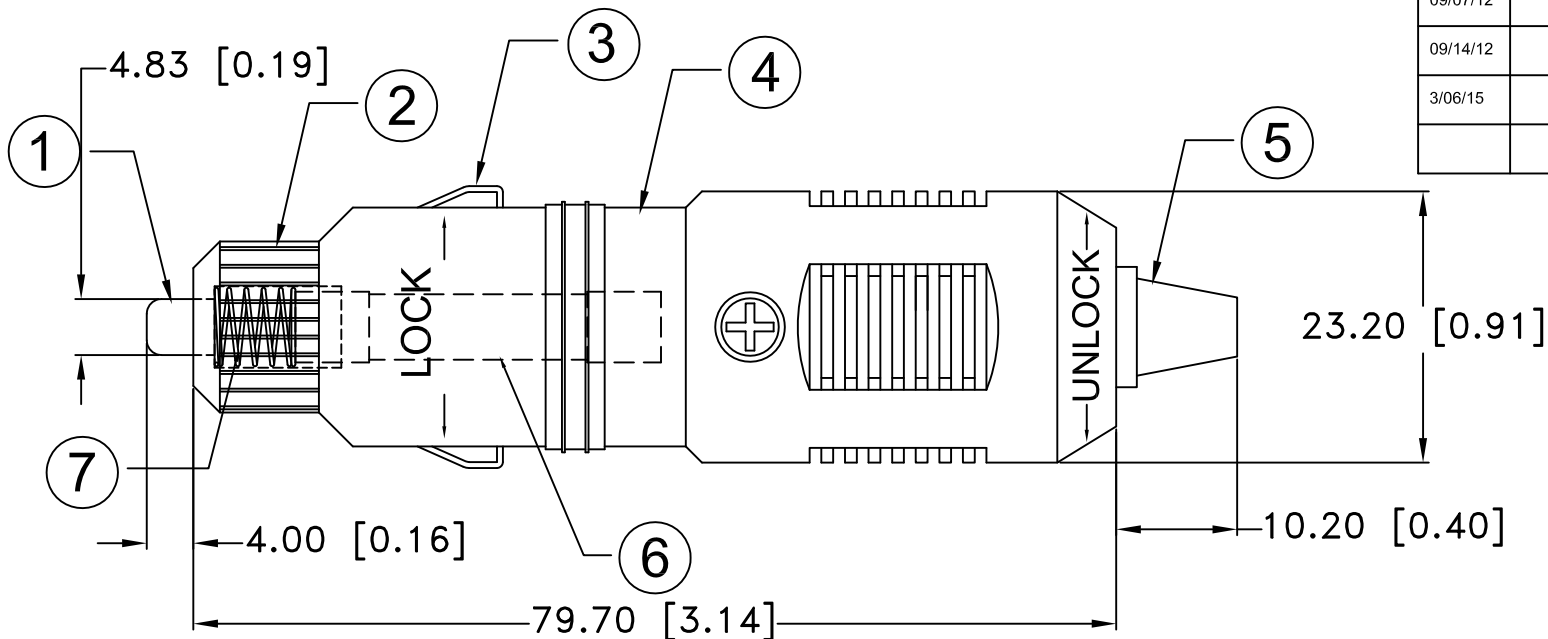
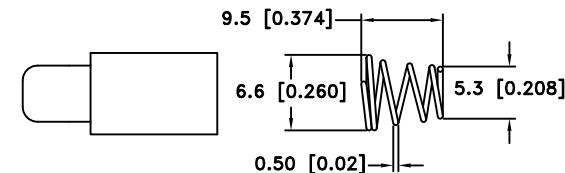


Date	SYM	REVISION RECORD	AUTH	DR.	CK.
08/10/12	C	SPRING MATERIAL WAS PHOSPHOR BRONZE	T.B.	B.S.	
09/07/12	D	ADDED SPRING ORIENTATION VIEW	T.B.	B.S.	
09/14/12	E	ADDED SPRING NOTE	T.B.	B.S.	
3/06/15	F	SPRING LENGTH WAS 10.0	T.B.	B.S.	




ITEM NO.	PART NAME	MATL. SPECIFICATION
1	TIP CONTACT (+) TERMINAL	BRASS, NICKEL PLTD.
2	NOSE CAP	BRASS, NICKEL PLTD.
3	(-) TERMINAL	BRASS, NICKEL PLTD.
4	BODY	NYLON #66, UL94V-0
5	STRAIN RELIEF	PVC 100%
6	FUSE	250V, 10 AMP, 3AG 6.35mm X 30mm (1/4" x 1 1/4")
7	SPRING	STEEL LINE



SPRING ORIENTATION VIEW

NOTE:

MAXIMUM RATING: 10 AMP., FAST ACTING 3AG FUSE
 FLAMMABILITY RATING: UL94V-0
 FUSE: BUSSMANN # AGC-10 OR
 LITTELFUSE # 0312010 OR
 APPROVED EQUIVALENT
 SPRING COMPRESSION FORCE ROUGHLY 1.2 POUNDS
 AT 80% TRAVEL.
 ROHS 2 COMPLIANT

Tolerance (Except as noted)	 Memory Protection Devices, Inc 200 Broad Hollow Road, Farmingdale, New York 11735	Scale	Drawn By B.S.
			Approved By T.B.
decimal ±.5 (.020)	Title CIGARETTE PLUG, 10 AMP FUSE, MODIFIED AP-121	Date 3/06/15	
Fractional ± .8 (.030)		Drawing Number BK-6142	
Angular ± 3°			